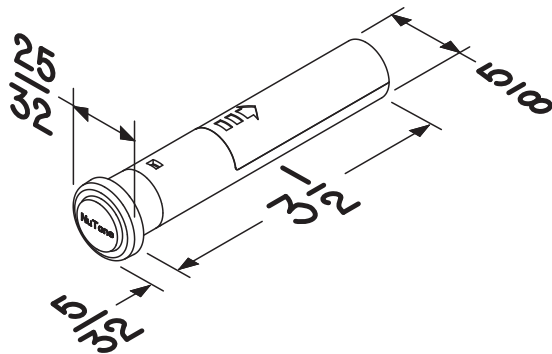
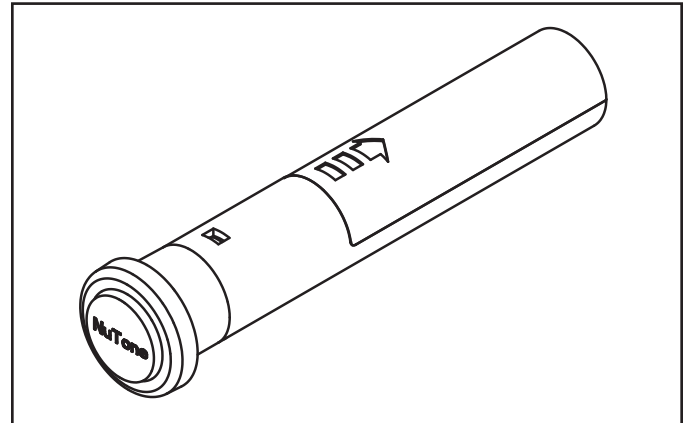


## Model PB78LWHCL Wireless LED Lighted Pushbutton

### DESCRIPTION

- Standard pushbutton with LED lighting for brilliant visibility and ease-of-use at night.
- Simple, single button design can be installed alone or with any NuTone escutcheon allowing you to design the doorbell that complements your doorway.
- Operates in conjunction with NuTone wireless door chime models: LA203WH, LA204WH, LA204RWH, LA205WH, LA206WH, LA522WH, LA532RW, LA533WH and LA600WH, so you can easily add on for other entryways.
- 100-foot operating range ensures that you will find the most convenient location for your door chime mechanism. Note: Operating distance may vary - depending upon differences in home construction.
- Non-stick action touch pad with U.V. inhibitor that won't yellow in the sun.
- 25/32" diameter in clear/white.
- Installs as recess mount design to fit NuTone escutcheons.
- Uses size "N", 1.5V alkaline battery (included).



### ARCHITECT'S SPECIFICATION

Wireless Pushbutton shall be NuTone Model PB78LWHCL.

Wireless Pushbutton to be recess mounted, LED lighted, fit NuTone escutcheons, and operate with NuTone wireless door chime models: LA203WH, LA204WH, LA204RWH, LA205WH, LA206WH, LA522WH, LA532RW, LA533WH and LA600WH.

Wireless Pushbutton to have 100-foot operating range.

Wireless Pushbutton shall include alkaline battery.

### INSTALLATION

Complete installation instructions are included with each Pushbutton.

Broan-NuTone LLC Hartford, Wisconsin www.nutone.com 888-336-3948

REFERENCE	QTY.	REMARKS	Project	
			Location	
			Architect	
			Engineer	
			Contractor	
			Submitted by	Date