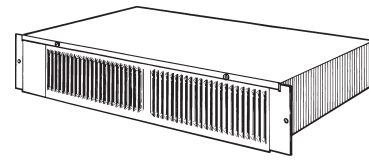


KICKSPACE HEATER

Factory Wired 240/208 V.A.C.



READ AND SAVE THESE INSTRUCTIONS

IMPORTANT INSTRUCTIONS

READ ALL INSTRUCTIONS BEFORE INSTALLING OR USING THIS HEATER.

To reduce the risk of fire, electric shock, or injury to persons, observe the following:

1. Use this unit only in the manner intended by the manufacturer. If you have questions, contact the manufacturer at the address or telephone number listed in the warranty.
2. Before servicing or cleaning unit, switch power off at service panel and lock the service disconnecting means to prevent power from being switched on accidentally. When the service disconnecting means cannot be locked, securely fasten a prominent warning device, such as a tag, to the service panel.
3. Installation work and electrical wiring must be done by a qualified person(s) in accordance with all applicable codes and standards, including fire-rated construction codes and standards.
4. When cutting or drilling into wall or ceiling, do not damage electrical wiring and other hidden utilities.
5. This heater is hot when in use. To avoid burns, do not let bare skin touch hot surfaces. Keep combustible materials, such as furniture, pillows, bedding, papers, clothes, etc. and curtains at least 3 feet (0.9 m) from the front of the heater.
6. Extreme caution is necessary when any heater is used by or near children or invalids and whenever the heater is left operating and unattended.
7. Do not operate any heater after it malfunctions. Disconnect power at service panel and have heater inspected by a reputable electrician before reusing.
8. Do not use outdoors.
9. To disconnect heater, turn controls to off, and turn off power to heater circuit at main disconnect panel (or operate internal disconnect switch, if provided).
10. Do not insert or allow foreign objects to enter any ventilation or exhaust opening, as this may cause an electric shock or fire, or damage the heater.
11. To prevent a possible fire, do not block air intakes or exhaust in any manner.
12. A heater has hot and arcing or sparking parts inside. Do not use it in areas where gasoline, paint, or flammable vapors or liquids are used or stored.
13. Use this heater only as described in this manual. Any other use not recommended by the manufacturer may cause fire, electric shock, or injury to persons.
14. To avoid electrical shock: Do not install unit in a tub or shower enclosure or any location where it may come in contact with water. Never place a switch where it can be reached from a tub or shower.
15. Do not connect heater to dimmer switch or speed control.
16. Do not install heater upside down or sideways. Heater must be located in the horizontal position.
17. Do not recess louvered face of the heater more than three inches from the vertical face of any overhang (cabinet).
18. Provide this heater with a separate electrical circuit following directions under "Wiring" section.

19. This product is equipped with a thermostat which may start it automatically. Turn off power at service entrance before cleaning or servicing.
20. This heater includes a visual alarm to warn that parts are getting excessively hot. If the alarm lights are activated, immediately turn the heater off and inspect for any objects on or adjacent to the heater that may cause high temperatures.
21. This product must be grounded.

SAVE THESE INSTRUCTIONS

PLANNING

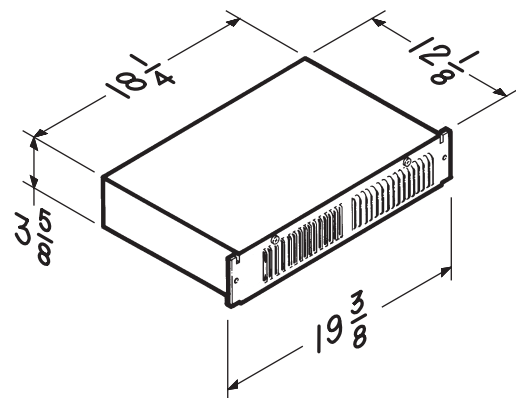
This heater is designed for installation in an enclosed space such as under a counter or kickspace to provide warm, gentle heat at the floor level. Reread Safety Notes 3 through 8 for guidelines in planning the installation.

The Model 114 is factory wired for 240/208 V.A.C. operation. It offers a choice of heat outputs and can be internally connected for multiple wattages at different voltages shown in the table below.

VOLTS	WATTS	AMPS	BTU/HR
240	1500	6.3	5120
208	1125	5.4	3840
120*	1500	12.5	5120
120*	750	6.3	2560

All ratings are 1-Phase, 60 Hertz.

*See "FIELD CONVERSION TO 120 V.A.C." section.

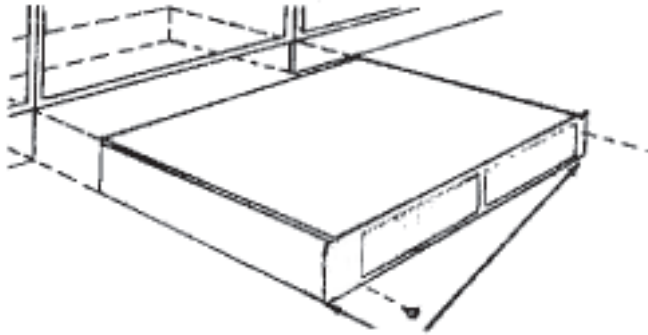


Cutout dimension: 18-3/8" x 3-5/8"

INSTALLATION

WARNING: To reduce the risk of fire, do not store or use gasoline or other flammable vapors and liquids in the vicinity of the heater.

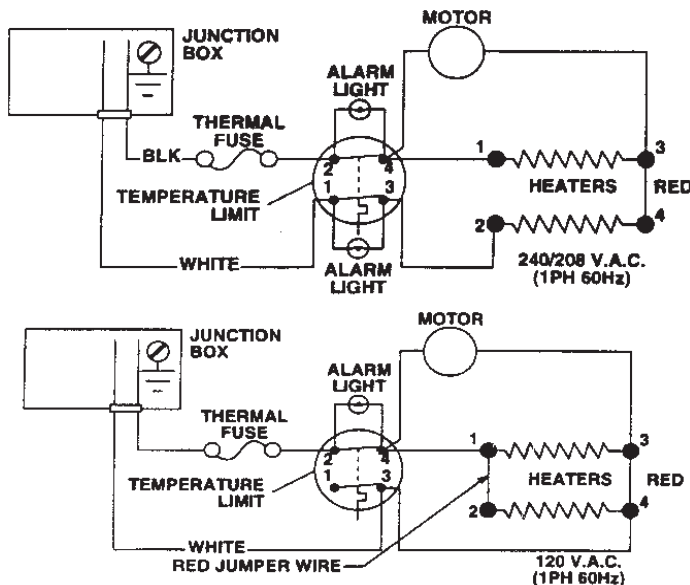
CAUTION: High temperature, risk of fire, keep electrical cords, drapery, furnishings, and other combustibles at least 3 feet (0.9 m) from the front of the heater and away from the side and rear.



SIDE ANGLE SUPPORT BRACKETS

1. Mark the intended mounting location in the base plate under the counter or kickspace, and remove required material to provide for easy insertion and removal of the heater cabinet.
2. The unit will be secured in place with screws through the side angle support brackets. Provide adequate material behind side angle support for secure mounting.

FIELD CONVERSION TO 120 V.A.C.



If a 120 V.A.C. circuit is to be used, make wiring changes as follows:

1. Disconnect **white** wire from heater element terminal "2" and connect it to terminal "4." The heater will now operate at 120 V.A.C., 750W, 6.3A.
2. For 120 V.A.C., 1500W, 12.5A operation, add the short **red** jumper wire (provided) between terminals "1" and "2".
3. Remove alarm light wire leads from terminals "1" and "3" of the high temperature limit. Remove white wire lead from limit terminal "1" and reconnect at limit terminal "3". Secure wire leads with wire tie so there is no interference with unit operation.

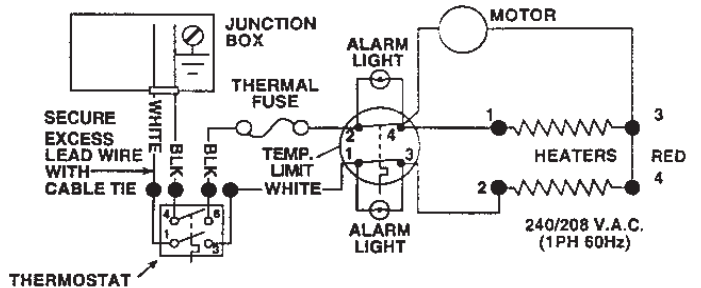
NOTE: Terminal numbers are marked on the side of the blower housing, above the heater elements.

THERMOSTAT INSTALLATION

NOTE: The thermostat control circuit must be wired prior to the wiring of the heater unit.

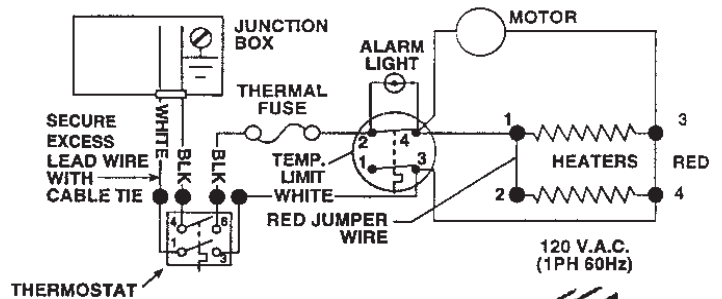
This heater may be thermostatically controlled by either a line voltage wall-mounted thermostat (Model 86W), or an optional built-in thermostat accessory kit (Model 90). Model 90 thermostat kits are designed for easy installation with this heater. Instructions for installing thermostats are provided below and are also supplied with each thermostat kit.

OPTIONAL LINE VOLTAGE WALL-MOUNT THERMOSTAT

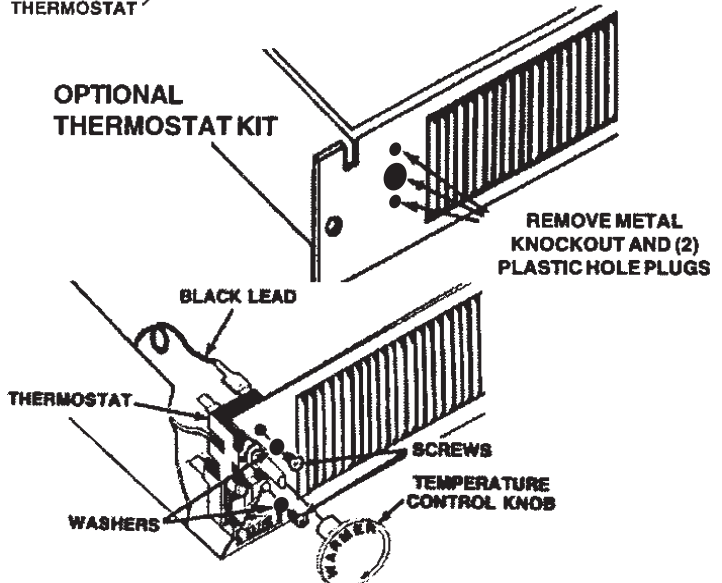


1. Locate thermostat on an inside wall away from all drafts and approximately 4-5 feet above the floor.
2. Route all wiring through the thermostat first and then to the heater.

OPTIONAL (MODEL 90) UNIT-MOUNT THERMOSTAT



OPTIONAL THERMOSTAT KIT

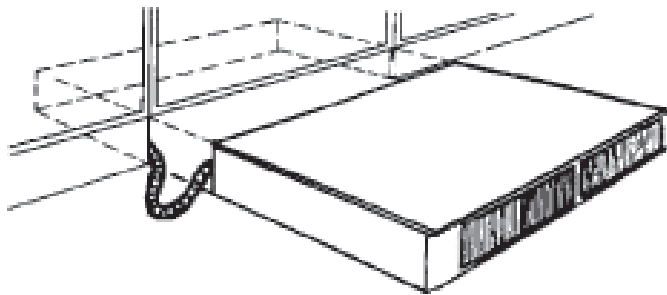


1. Remove the top cover from the heater.
2. Remove the 5/8" knockout located on the left side of the front panel (use a screwdriver to remove the knockout). Also remove the two plastic hole plugs (see illustration).

3. Install thermostat from back side of front panel and fasten in place, from front, with two screws and washers provided (see illustrations).
4. Attach temperature control knob by gently pushing it on to the thermostat shaft. Flats on shaft and knob must line up for proper installation (do not force control knob onto shaft).
5. Remove **black** wire from thermal fuse and attach it to thermostat terminal marked "4".
6. Remove **white** wire from temperature limit terminal marked "1" (Note: the other end of this wire is attached to incoming field wiring) and attach it to the thermostat terminal marked "1".
7. Attach **black** thermostat wire to thermal fuse and **white** thermostat wire to the temperature limited marked "3".

WIRING

Installation work and electrical wiring must be done by a qualified person(s) in accordance with all applicable codes and standards, including fire-rated construction codes and standards.



1. Run electrical power cable to installation location. Provide two feet of slack to allow heater to be pulled out far enough to remove top cover for cleaning or servicing.

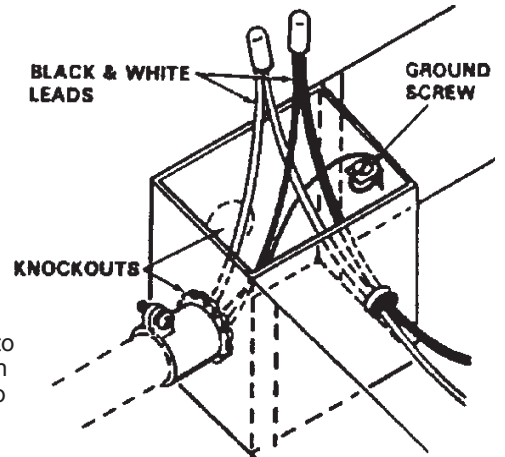
NOTE: It is recommended that flexible conduit be used for field wiring to the unit to protect the wires from sharp objects or hazardous environments.

NOTE: Be sure supply voltage meets the equipment requirement. Refer to the rating plate, unit wiring diagram and specification table.



2. Remove top cover for access to wiring box at rear of heater.

3. Remove one of the two knockouts and connect power cable to heater using appropriate connector. Allow at least six inches of wiring inside of wiring box.
4. Connect black to black, white to white and green (or bare wire) to ground screw, as shown. Tuck wires down inside the wiring box.



5. Replace top cover.

WARNING: Do not operate heater without top cover in place.

6. Slide heater into place and secure to mounting surface.

OPERATION

Before using heater, make sure heater has been properly installed according to installation steps beginning with the "PLANNING" section on page 1.

1. Turn thermostat counterclockwise to its lowest setting.
2. Turn on power to circuit at service entrance.
3. Turn thermostat clockwise. The heating element and fan should come on. Set thermostat to desired temperature level. During proper operation, the heater will cycle on and off periodically.

If heater does not come on:

1. Return the thermostat to lowest setting.
2. Shut off power at service entrance.
3. Remove the top cover. Check for proper line voltage and reinspect wiring connections. Reread installation procedure making sure all steps were followed.
4. Also check the thermal fuse. It may be open and need to be replaced. Consult the service parts list for the part number of a replacement fuse. Follow the procedure described in the last paragraph of the warranty when ordering replacement parts.

MAINTENANCE

The following maintenance and cleaning tasks can be performed by the user. All other servicing must be performed by an authorized technician. If you have any questions, please consult with our customer service department at: 800-558-1711.

LUBRICATION

The heater is permanently lubricated and never needs oiling or disassembly.

CLEANING

Clean heater once a month as follows:

1. Turn off power at service panel.
2. Make sure heating element is cool.
3. Use a soft brush attachment to gently vacuum grille openings or wipe grille clean with a soft cloth.
4. Restore power.

CAUTION: METAL AND ELECTRICAL PARTS SHOULD NEVER BE IMMERSSED IN WATER.

WARRANTY

Limited Warranty

Warranty Period and Exclusions: Broan-NuTone LLC (the "Company") warrants to the original consumer purchaser of its product ("you") that the product (the "Product") will be free from material defects in the Product or its workmanship for a period of one (1) year from the date of original purchase.

The limited warranty period for any replacement parts provided by the Company and for any Products repaired or replaced under this limited warranty shall be the remainder of the original warranty period.

This warranty does not cover speed controls, fluorescent lamp starters, tubes, halogen and incandescent bulbs, fuses, filters, ducts, roof caps, wall caps and other accessories for ducting that may be purchased separately and installed with the Product. This warranty also does not cover (a) normal maintenance and service, (b) normal wear and tear, (c) any Products or parts which have been subject to misuse, abuse, abnormal usage, negligence, accident, improper or insufficient maintenance, storage or repair (other than repair by the Company), (d) damage caused by faulty installation, or installation or use contrary to recommendations or instructions, (e) any Product that has been moved from its original point of installation, (f) damage caused by environmental or natural elements, (g) damage in transit, (h) natural wear of finish, (i) Products in commercial or nonresidential use, or (j) damage caused by fire, flood or other act of God. This warranty covers only Products sold to original consumers in the United States by the Company or U.S. distributors authorized by the Company.

This warranty supersedes all prior warranties and is not transferable from the original consumer purchaser.

No Other Warranties: This Limited Warranty contains the Company's sole obligation and your sole remedy for defective products. The foregoing warranties are exclusive and in lieu of any other warranties, express or implied. **THE COMPANY DISCLAIMS AND EXCLUDES ALL OTHER EXPRESS WARRANTIES, AND DISCLAIMS AND EXCLUDES ALL WARRANTIES IMPLIED BY LAW, INCLUDING WITHOUT LIMITATION THOSE OF MERCHANTABILITY AND FITNESS FOR A PARTICULAR PURPOSE.** To the extent that applicable law prohibits the exclusion of implied warranties, the duration of any applicable implied warranty is limited to the period specified for the express warranty above. Some states do not allow limitations on how long an implied warranty lasts, so the above limitation may not apply to you. Any oral or written description of the Product is for the sole purpose of identifying it and shall not be construed as an express warranty.

Whenever possible, each provision of this Limited Warranty shall be interpreted in such manner as to be effective and valid under applicable law, but if any provision is held to be prohibited or invalid, such provision shall be ineffective only to the extent of such prohibition or invalidity, without invalidating the remainder of such provision or the other remaining provisions of the Limited Warranty.

Remedy: During the applicable limited warranty period, the Company will, at its option, provide replacement parts for, or repair or replace, without charge, any Product or part thereof, to the extent the Company finds it to be covered by and in breach of this limited warranty under normal use and service. The Company will ship the repaired or replaced Product or replacement parts to you at no charge. You are responsible for all costs for removal, reinstallation and shipping, insurance or other freight charges incurred in the shipment of the Product or part to the Company. If you must send the Product or part to the Company, as instructed by the Company, you must properly pack the Product or part—the Company is not responsible for damage in transit. The Company reserves the right to utilize reconditioned, refurbished, repaired or remanufactured Products or parts in the warranty repair or replacement process. Such Products and parts will be comparable in function and performance to an original Product or part and warranted for the remainder of the original warranty period.

Exclusion of Damages: THE COMPANY'S OBLIGATION TO PROVIDE REPLACEMENT PARTS, OR REPAIR OR REPLACE, AT THE COMPANY'S OPTION, SHALL BE YOUR SOLE AND EXCLUSIVE REMEDY UNDER THIS LIMITED WARRANTY AND THE COMPANY'S SOLE AND EXCLUSIVE OBLIGATION. THE COMPANY SHALL NOT BE LIABLE FOR INCIDENTAL, INDIRECT, CONSEQUENTIAL OR SPECIAL DAMAGES ARISING OUT OF OR IN CONNECTION WITH THE PRODUCT, ITS USE OR PERFORMANCE.

Some states do not allow the exclusion or limitation of incidental or consequential damages, so the above limitation or exclusion may not apply to you. This warranty gives you specific legal rights, and you may also have other rights, which vary from state to state.

This warranty covers only replacement or repair of defective Products or parts thereof at the Company's main facility and does not include the cost of field service travel and living expenses.

Any assistance the Company provides to or procures for you outside the terms, limitations or exclusions of this limited warranty will not constitute a waiver of such terms, limitations or exclusions, nor will such assistance extend or revive the warranty.

The Company will not reimburse you for any expenses incurred by you in repairing or replacing any defective Product, except for those incurred with the Company's prior written permission.

How to Obtain Warranty Service: To qualify for warranty service, you must (a) notify the Company at the address or telephone number stated below within seven (7) days of discovering the covered defect, (b) give the model number and part identification and (c) describe the nature of any defect in the Product or part. At the time of requesting warranty service, you must present evidence of the original purchase date. If you cannot provide a copy of the original written limited warranty, then the terms of the Company's most current written limited warranty for your particular product will control. The most current limited written warranties for the Company's products can be found at www.broan.com.

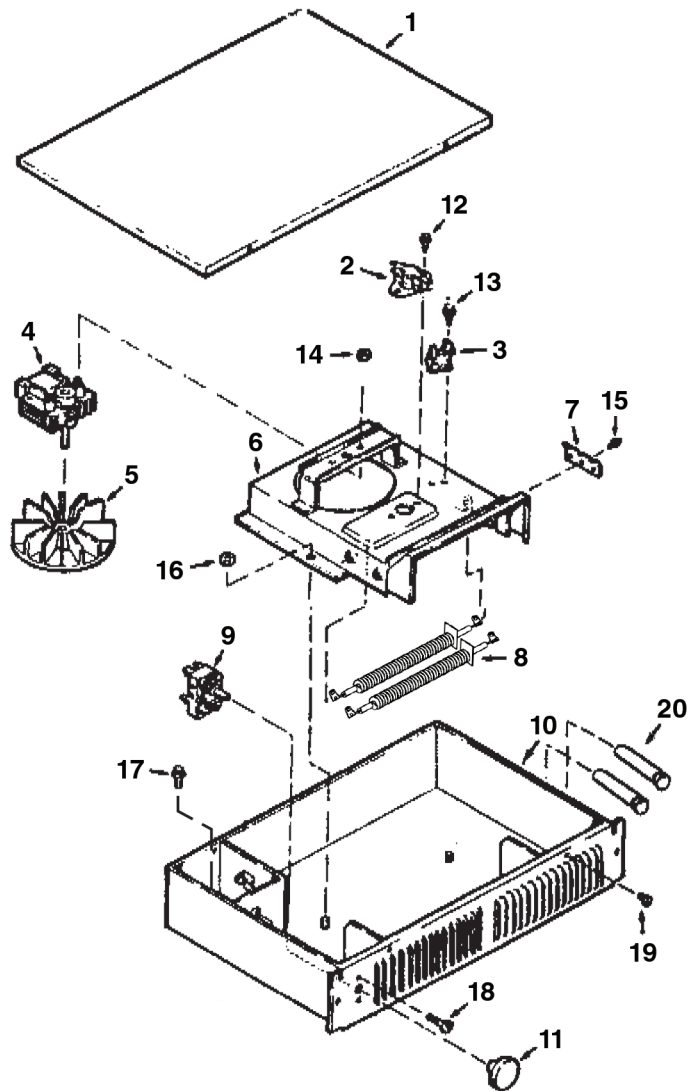
Broan 926 West State Street, Hartford, WI 53027
www.broan.com 800-558-1711

SERVICE PARTS

KEY NO.	PART NUMBER	PART DESCRIPTION
1	99522899	Cover (White)
2	99522400	Cycling Thermal Overload Limit Switch
3	99521763	Thermal Fuse
4	99521765	Motor
5	99020130	Blower Wheel
6	99521760	Motor Plate
7	99521761	Element Retainer
8	99271288	Heater Element (2 Required)
9	99521767	Thermostat (Optional)
10	---	Housing (White)
11	99521769	Knob (Optional)
12	*	Screw, 6-20 x 1/4 Slotted Hex Head (2 Required)
13	*	Screw, 6-20 x 3/8 Slotted Head Head AB Pt.
14	*	Nut, 6-32 Hex Keps (2 Required)
15	*	Screw, 10-16 x 3/8 Slotted Head Head AB Pt.
16	*	Nut, 10-32 Hex Keps (2 Required)
17	*	Screw, 10-32 x 1/2 Slotted Head Head Type F
18	*	Screw, 6-32 x 3/4 Phillips Pan Head (2 Required) (Optional)
19	*	Screw, 8-18 x 1/4 Slotted Pan Head (4 Required)
20	99522782	Alarm Light

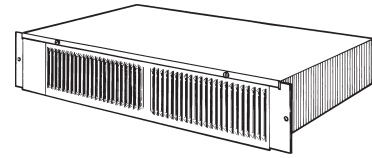
* Standard Hardware. May be purchased locally.

SERVICE PARTS



CALEFACTOR PARA ESPACIOS BAJO GABINETES

Cableado de fábrica: 240/208 VCA



LEA Y CONSERVE ESTAS INSTRUCCIONES

INSTRUCCIONES IMPORTANTES

LEA TODAS LAS INSTRUCCIONES ANTES DE INSTALAR O USAR ESTE CALENTADOR.

Para reducir el riesgo de incendios, descargas eléctricas o lesiones personales, observe las siguientes precauciones:

1. Use la unidad solo de la manera indicada por el fabricante. Si tiene preguntas, comuníquese con el fabricante a la dirección o al número telefónico que se incluye en la garantía.
2. Antes de dar servicio a la unidad o de limpiarla, interrumpa el suministro eléctrico en el panel de servicio y bloquee los medios de desconexión del servicio para evitar que la electricidad se reanude accidentalmente. Cuando no sea posible bloquear los medios de desconexión del servicio, fije firmemente una señal de advertencia (como una etiqueta) en un lugar visible del panel de servicio.
3. El trabajo de instalación y el cableado eléctrico deben estar a cargo de personal capacitado, de acuerdo con todos los códigos y normas correspondientes, incluidos los códigos y normas de construcción específicos sobre protección contra incendios.
4. Al cortar o perforar a través de la pared o del cielo raso, tenga cuidado de no dañar el cableado eléctrico ni otros servicios ocultos.
5. Este calentador se calienta cuando se usa. Para evitar quemaduras, no deje que la piel desnuda toque las superficies calientes. Mantenga materiales combustibles como muebles, almohadas, ropa de cama, papeles, ropa, etc., así como las cortinas, por lo menos a 3 pies (0.9 m) de la parte delantera del calentador.
6. Es necesario tener extremo cuidado cuando se use un calentador cerca de niños o personas inválidas, y siempre que el calentador se deje funcionando y sin atención.
7. No haga funcionar ningún calentador después de que presente una falla. Desconecte la energía eléctrica en el panel de servicio y pida que un electricista acreditado inspeccione el calentador antes de volverlo a usar.
8. No lo use en exteriores.
9. Para desconectar el calentador, mueva los controles a la posición de apagado y desconecte la energía eléctrica al circuito del calentador en el panel de desconexión principal (o active el interruptor de desconexión interna, si existe).
10. No inserte ni permita que objetos extraños entren en la abertura de ventilación o de escape, pues esto puede ocasionar una descarga eléctrica, un incendio o daños al calentador.
11. Para prevenir un posible incendio, no bloquee la entrada o salida del aire de ninguna manera.
12. El calentador tiene piezas calientes y que pueden generar arcos eléctricos o chispas en el interior. No lo use en áreas donde se use o almacene gasolina, pintura o vapores o líquidos inflamables.
13. Use este calentador solamente como se describe en este manual. Cualquier otro uso no recomendado por el fabricante puede ocasionar un incendio, una descarga eléctrica o lesiones a personas.
14. Para evitar descargas eléctricas: No instale la unidad en una bañera o cabina de ducha o en cualquier lugar donde pueda entrar en contacto con agua. Nunca coloque un interruptor donde pueda ser alcanzado desde una bañera o ducha.
15. No conecte el calentador de regulador de intensidad y control de velocidad.
16. No instale el calefactor en posición invertida ni de lado. El calefactor debe estar en posición horizontal.

17. La cara con rejillas del calefactor no debe quedar empotrada a una distancia mayor de 3 pulgadas (7.5 cm) del borde de cualquier superficie superior (gabinete).
18. Proporcione un circuito eléctrico separado para este calefactor; para ello siga las instrucciones especificadas en el apartado "Cableado".
19. Este producto está equipado con un termostato que puede iniciar su funcionamiento de manera automática. Antes de limpiar o dar servicio al equipo, desconecte la energía eléctrica en la entrada de servicio.
20. Este calefactor está diseñado con una alarma visual que alerta sobre un calentamiento excesivo de las partes. Si se encienden las luces de alarma, apague el calefactor inmediatamente e inspeccione para ver si hay objetos en el calefactor o sus alrededores que pudieran estar causando las altas temperaturas.
21. Este producto debe estar conectado a tierra.

GUARDE ESTAS INSTRUCCIONES

PLANIFICACIÓN

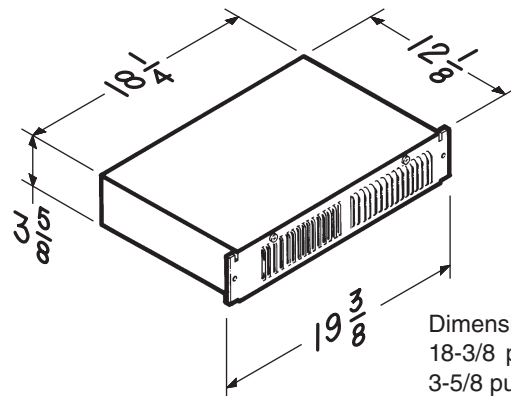
Este calefactor está diseñado para instalarse en un espacio cerrado como debajo de un mostrador o gabinete, a fin de suministrar una calefacción suave a nivel del piso. Lea nuevamente las notas de seguridad 3 a 8 para conocer las pautas de planeación de la instalación.

El modelo 114 está cableado de fábrica para funcionamiento con 240/208 VCA. Ofrece una selección de salidas de calor y puede conectarse internamente para potencias múltiples a los diferentes voltajes mostrados en la tabla siguiente.

VOLTIOS	WATTS	AMPERIOS	BTU/HORA
240	1500	6.3	5120
208	1125	5.4	3840
120*	1500	12.5	5120
120*	750	6.3	2560

Todas las capacidades nominales son de una fase a 60 Hertz.

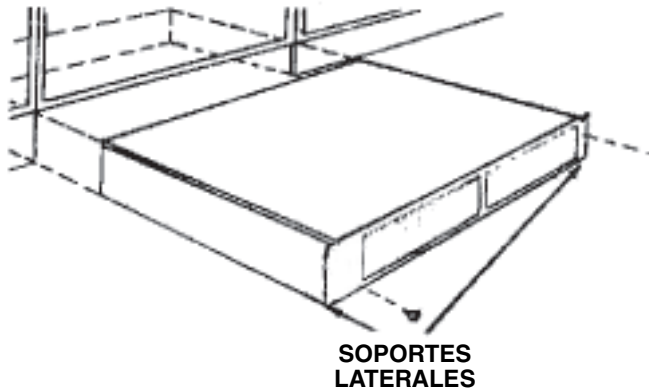
*Consulte el apartado "CONVERSIÓN A 120 VCA EN EL SITIO DE LA INSTALACIÓN".



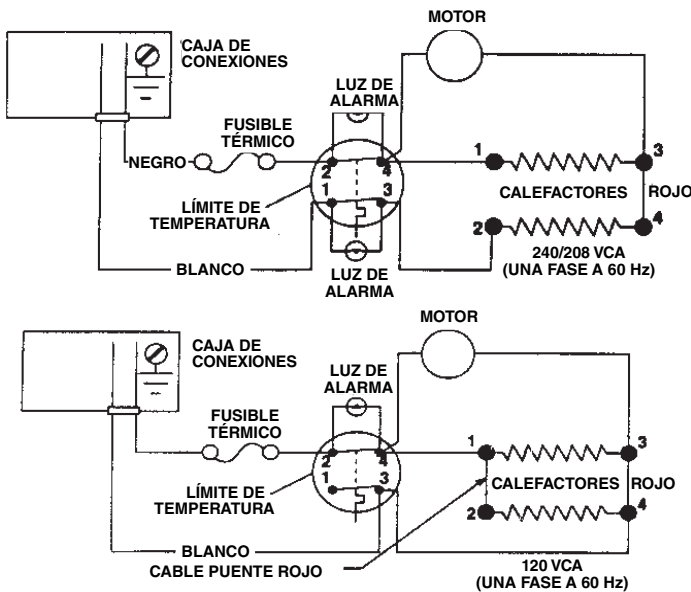
Dimensiones de recorte:
18-3/8 pulg. (46.7 cm) x
3-5/8 pulg. (9.2 cm)

INSTALACIÓN

1. Marque el sitio de montaje previsto en la placa de base o debajo del mostrador o gabinete, y retire los materiales necesarios para facilitar la inserción y el desmontaje del gabinete del calefactor.
2. La unidad se afianza en su sitio atornillándola a través de los soportes laterales. Para que el montaje esté seguro, proporcione el material adecuado detrás del soporte lateral.



CONVERSIÓN A 120 VCA EN EL SITIO DE LA INSTALACIÓN



Si se va a utilizar un circuito de 120 VCA, efectúe los siguientes cambios de conexión:

1. Desconecte el cable blanco de la terminal "2" del elemento calefactor y conéctelo a la terminal "4". El calefactor funcionará ahora con 120 VCA, 750 watts, 6.3 A.
2. Para funcionamiento con 120 VCA, 1500 watts, 12.5 A, añada el cable puente rojo (incluido) entre las terminales "1" y "2".
3. Saque los cables de la luz de alarma de las terminales "1" y "3" del límite de alta temperatura. Saque el cable blanco de la terminal límite "1" y conéctelo a la terminal límite "3". Para evitar interferencias en el funcionamiento de la unidad, amarre los cables con atadura de cables.

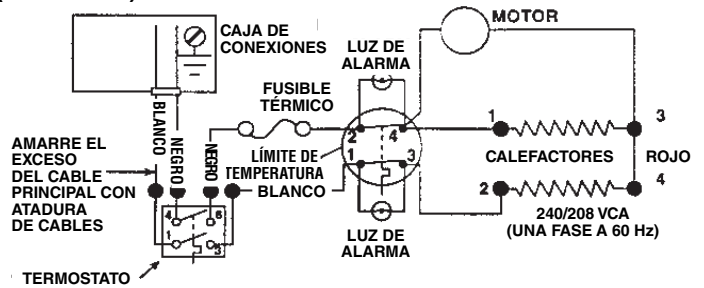
NOTA: Los números de las terminales están marcados al costado de la cubierta del soplador, encima de los elementos de calefacción.

INSTALACIÓN DEL TERMOSTATO

NOTA: Es necesario hacer el cableado del circuito de control del termostato antes de cablear el calefactor.

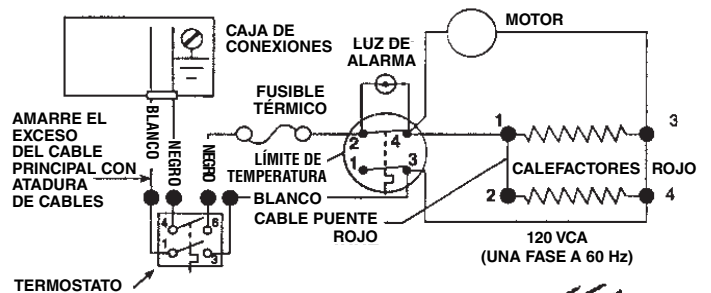
Este calefactor puede estar bajo el control termostático de un termostato de voltaje de línea montado en la pared (modelo 86W), o un juego auxiliar de termostato integrado opcional (modelo 90). Los juegos de termostato modelo 90 están diseñados para facilitar la instalación con este calefactor. Las instrucciones de instalación de los termostatos aparecen más abajo, y también se incluyen con cada juego de termostato.

TERMOSTATO DE VOLTAJE DE LÍNEA MONTADO EN PARED (OPCIONAL)

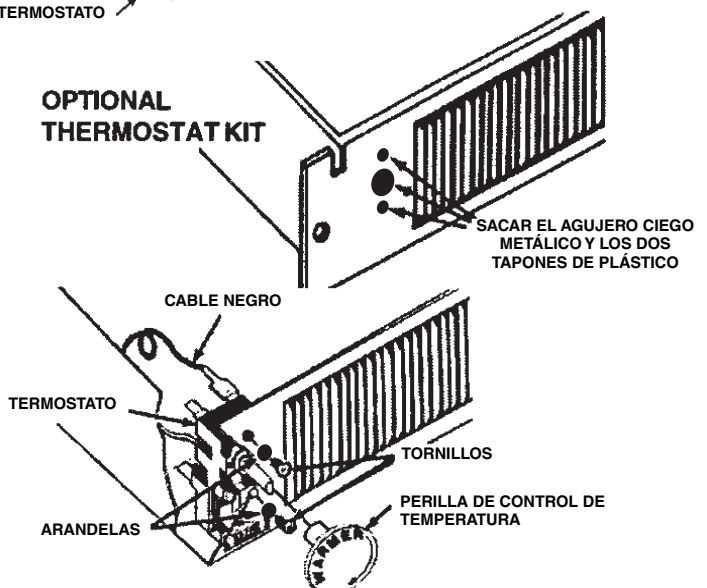


1. Coloque el termostato en un muro interior, alejado de toda corriente de aire y aproximadamente a 4-5 pies (1-1.5 m) del piso.
2. Pase todos los cables primero por el termostato y luego al calefactor.

TERMOSTATO DE MONTAJE DE UNIDAD OPCIONAL (MODELO 90)



OPTIONAL THERMOSTAT KIT

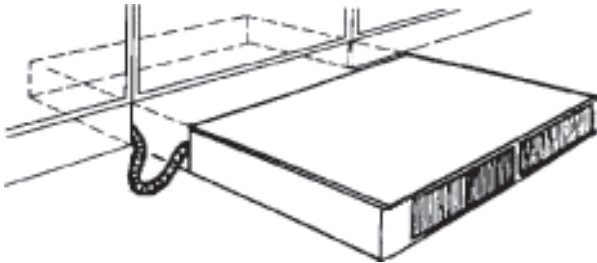


1. Saque la cubierta superior del calefactor.
2. Con un destornillador, saque el agujero ciego de 5/8 pulg. del lado izquierdo del panel frontal. Saque también los dos tapones de plástico (vea la figura).

3. Instale el termostato desde el lado posterior del panel frontal y asegúrelo en su sitio, desde el frente, con los dos tornillos y arandelas incluidos (vea las figuras).
4. Conecte la perilla de control de temperatura empujándola suavemente en el eje del termostato. Para una instalación correcta, es necesario que se alineen las caras planas del eje y de la perilla (no trate de meter la perilla de control a la fuerza en el eje).
5. Saque el cable negro del fusible térmico y conéctelo a la terminal "4" del termostato.
6. Saque el cable blanco de la terminal "1" de límite de temperatura (Nota: el otro extremo de este cable está conectado al cableado de campo entrante) y conéctelo a la terminal "1" del termostato.
7. Conecte el cable negro del termostato al fusible térmico y el cable blanco del termostato a la terminal "3" de límite de temperatura.

CABLEADO

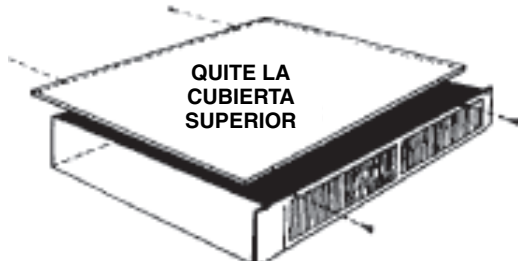
El trabajo de instalación y el cableado eléctrico deben estar a cargo de personal capacitado, de acuerdo con todos los códigos y normas correspondientes, incluidos los códigos y normas de construcción específicos sobre protección contra incendios.



1. Haga pasar el cable eléctrico al sitio de la instalación. Deje unos 2 pies (61 cm) de holgura a fin de poder mover el calefactor lo suficiente como para sacar la cubierta superior y así limpiarlo o darle servicio.

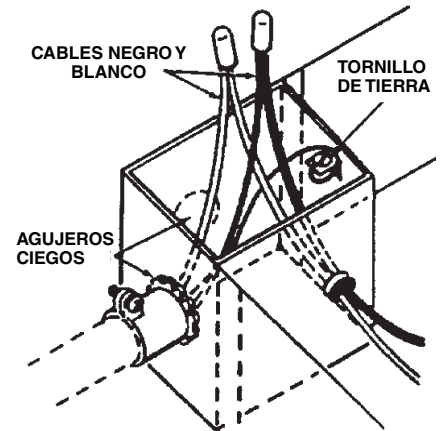
NOTA: Se recomienda utilizar un conducto flexible para hacer el cableado de la unidad en el sitio de la instalación, a fin de proteger los cables contra objetos cortantes o entornos peligrosos.

NOTA: Asegúrese de que el voltaje de entrada cumpla con los requisitos del equipo. Consulte la placa indicadora, el diagrama de cableado de la unidad y la tabla de especificaciones.



2. Quite la cubierta superior para poder acceder a la caja de conexiones (parte posterior del calefactor).

3. Quite uno de los dos agujeros ciegos y conecte el cable eléctrico al calefactor con el conector apropiado. Deje al menos 6 pulgadas (15 cm) de cable dentro de la caja de conexiones.
4. Conecte el negro con el negro, el blanco con el blanco y el verde (o cable sin aislamiento) al tornillo de tierra, tal como se muestra en la figura. Empuje todos los cables al interior de la caja de conexiones.
5. Vuelva a colocar la cubierta superior.



ADVERTENCIA: No haga funcionar el calefactor sin que tenga puesta la cubierta superior.

6. Deslice el calefactor a su sitio y asegúrelo a la superficie de montaje.

FUNCIONAMIENTO

Antes de usar el calentador, asegúrese de que esté instalado adecuadamente, de acuerdo con los pasos de instalación indicados en "PLANIFICACION" en la página 7.

1. Gire el termostato en el sentido contrario de las agujas del reloj hasta su ajuste más bajo.
2. Encienda la energía eléctrica del circuito en la entrada de servicio.
3. Gire el termostato en el sentido de las agujas del reloj. Deberán encenderse el elemento calefactor y el ventilador. Fije el termostato en el ajuste de temperatura deseado. El calefactor normalmente se encenderá y apagará periódicamente durante su funcionamiento.

Si el calefactor no se enciende:

1. Ponga nuevamente el termostato en su ajuste más bajo.
2. Desconecte la energía eléctrica en la entrada de servicio.
3. Quite la cubierta superior. Compruebe que el voltaje de línea sea el correcto y vuelva a inspeccionar las conexiones de cableado. Vuelva a leer el procedimiento de instalación, asegurándose de que se hayan seguido todos los pasos.
4. Revise también el fusible térmico; quizás se haya fundido, en cuyo caso deberá cambiarlo. Consulte la lista de piezas de servicio para averiguar el número de pieza del fusible de repuesto. Al hacer el pedido de piezas de repuesto, siga el procedimiento descrito en el último párrafo del apartado de garantía.

MANTENIMIENTO

El usuario puede realizar las siguientes tareas de mantenimiento y limpieza. Todos los demás servicios los debe realizar un técnico autorizado. Si tiene preguntas, consulte a nuestro departamento de servicio al cliente llamando al: 800-558-1711.

LUBRICACIÓN

El calentador está permanentemente lubricado y nunca necesitará ponerle aceite ni desarmarlo.

LIMPIEZA

Limpie el calentador una vez al mes tal como sigue:

1. Apague la energía eléctrica en el panel de servicio.
2. Asegúrese de que el elemento de calefacción esté frío.
3. Use un aditamento de cepillo suave para aspirar suavemente aberturas de la rejilla o limpie la rejilla con un paño suave.
4. Restaure la energía eléctrica.

CUIDADO – LAS PIEZAS METÁLICAS Y ELÉCTRICAS NUNCA SE DEBEN SUMERGIR EN AGUA.

GARANTÍA

Garantía limitada

Periodo y exclusiones de la garantía: Broan-NuTone LLC (la "Compañía") garantiza al consumidor comprador original de su producto ("usted") que el producto (el "Producto") estará libre de defectos en materiales o en mano de obra, por un periodo de un (1) año a partir de la fecha de compra original.

El periodo de garantía limitada para cualquier pieza de repuesto proporcionada por la compañía y para cualquier Producto reparado o reemplazado bajo esta garantía limitada debe ser lo que reste del periodo de garantía original.

Esta garantía no cubre controles de velocidad, arrancadores de lámparas fluorescentes, tubos, bombillas de halógeno e incandescentes, fusibles, filtros, conductos, tapas de techo, tapas de pared ni otros accesorios que pudieran ser comprados por separado e instalados con el producto. Esta garantía tampoco cubre (a) mantenimiento y servicio normal, (b) uso y desgaste normal, (c) Productos o piezas sujetos a mal uso, abuso, uso anormal, negligencia, accidente, mantenimiento inadecuado o insuficiente, almacenamiento o reparación (que no sea reparación por parte de la Compañía), (d) daños causados por instalación defectuosa, o bien instalación o uso contrario a las recomendaciones o instrucciones, (e) cualquier Producto que se haya movido de su punto de instalación original, (f) daños ocasionados por el medio ambiente o los elementos naturales, (g) daños en tránsito, (h) desgaste natural del acabado, (i) Productos en uso comercial o no residencial, o (j) daños ocasionados por incendio, inundación u otro caso fortuito. Esta garantía cubre solamente Productos vendidos a clientes originales en los Estados Unidos por la Compañía o a distribuidores de EE. UU. autorizados por la Compañía.

Esta garantía sustituye todas las garantías anteriores y no es transferible del comprador consumidor original.

No hay otras garantías: Esta garantía limitada contiene la única obligación de la Compañía y su único recurso ante productos defectuosos. Las garantías anteriores son exclusivas y en lugar de cualquier otra garantía, expresa o implícita. **LA COMPAÑÍA NIEGA Y EXCLUYE CUALQUIER OTRA GARANTÍA EXPRESA, Y NIEGA Y EXCLUYE TODAS LAS GARANTÍAS IMPLÍCITAS POR LEY, INCLUYENDO, ENTRE OTRAS, LAS DE COMERCIALIZACIÓN Y APTITUD PARA UN PROPÓSITO EN PARTICULAR.** Hasta el grado en que la ley aplicable prohíba la exclusión de las garantías implícitas, la duración de cualquier garantía implícita aplicable está limitada al periodo especificado para la garantía expresa antes mencionada. Algunos estados no permiten limitaciones en la duración de una garantía implícita, así que la limitación anterior tal vez no aplique en su caso. Cualquier descripción verbal o escrita del Producto es para el único propósito de identificarlo y no deberá considerarse como una garantía expresa.

Siempre que sea posible, toda disposición de esta garantía limitada deberá ser interpretada de tal forma que sea efectiva y válida de conformidad con la ley aplicable, pero si alguna disposición fuera considerada prohibida o inválida, quedará sin efecto solo en virtud de dicha prohibición o invalidez, sin invalidar el resto de dicha disposición o las demás disposiciones restantes de la garantía limitada.

Recurso: Durante el periodo de garantía limitada aplicable, la Compañía, a su opción, suministrará piezas de repuesto, o reparará o reemplazará, sin cargo alguno, cualquier Producto o pieza del mismo, hasta el grado en que la Compañía lo encuentre cubierto bajo esta garantía limitada y en incumplimiento de la misma en condiciones normales de uso y servicio. La Compañía le enviará el Producto reparado o reemplazado o las piezas de repuesto sin cargo. Usted es responsable de todos los costos de retiro, reinstalación y envío, seguro u otros cargos de flete incurridos en el envío del Producto o pieza a la Compañía. Si debe enviar el Producto o la pieza a la Compañía, tal como lo indique la Compañía, debe empaquetar adecuadamente el Producto o la pieza: la Compañía no se hace responsable por los daños en tránsito. La Compañía se reserva el derecho de utilizar Productos o piezas reacondicionados, renovados, reparados o refabricados en el proceso de reemplazo o reparación de garantía. Dichos Productos y piezas serán comparables en función y desempeño a un Producto o una pieza original y tendrán garantía durante el resto del periodo de la garantía original.

Exclusión de daños: LA OBLIGACIÓN DE LA COMPAÑÍA DE SUMINISTRAR PIEZAS DE REPUESTO, O DE REPARAR O REEMPLAZAR, A OPCIÓN DE LA COMPAÑÍA, SERÁ SU ÚNICO Y EXCLUSIVO RECURSO BAJO ESTA GARANTÍA LIMITADA, Y LA ÚNICA Y EXCLUSIVA OBLIGACIÓN DE LA COMPAÑÍA. LA COMPAÑÍA NO SERÁ RESPONSABLE POR DAÑOS INCIDENTALES, INDIRECTOS, RESULTANTES O ESPECIALES QUE SURJAN POR EL USO O DESEMPEÑO DEL PRODUCTO, O EN RELACIÓN CON EL MISMO.

Algunos estados no permiten la exclusión o limitación de daños incidentales o resultantes, por lo que la limitación antes mencionada podría no aplicarse a usted. Esta garantía le otorga derechos legales específicos, y usted podría tener otros derechos que varían de un estado a otro.

Esta garantía cubre únicamente el reemplazo o la reparación de Productos defectuosos o piezas de los mismos en la planta principal de la Compañía, y no incluye el costo del viaje para el servicio de campo ni los viáticos.

Cualquier asistencia que proporcione o procure la Compañía para usted fuera de los términos, limitaciones o exclusiones de esta garantía limitada no constituirá una renuncia a dichos términos, limitaciones o exclusiones, ni dicha asistencia extenderá o renovará la garantía.

La Compañía no le reembolsará ningún gasto en el que usted haya incurrido al reparar o reemplazar cualquier Producto defectuoso, excepto los incurridos con el permiso previo por escrito de la Compañía.

Cómo obtener el servicio cubierto por la garantía: Para tener derecho al servicio cubierto por la garantía, usted debe (a) notificar a la Compañía a la dirección o número de teléfono que aparecen abajo en un plazo de siete (7) días después de descubrir el defecto cubierto, (b) proporcionar el número de modelo y la identificación de la pieza y (c) describir la naturaleza de cualquier defecto en el Producto o la pieza. En el momento de solicitar el servicio cubierto por la garantía, debe presentar un comprobante de la fecha de compra original. Si usted no puede presentar una copia de la garantía limitada original por escrito, entonces registrarán los términos de la garantía limitada por escrito más actualizada de la compañía para su producto en particular. Las garantías limitadas por escrito más actualizadas para los productos de la Compañía se pueden encontrar en www.broan.com.

Broan 926 West State Street, Hartford, WI 53027
www.broan.com 800-558-1711

PIEZAS DE REPUESTO

CLAVE No.	NÚMERO DE PIEZA	DESCRIPCIÓN DE LA PIEZA
1	99522899	Cubierta (blanca)
2	99522400	Interruptor limitador de sobrecarga térmica (cíclico)
3	99521763	Fusible térmico
4	99521765	Motor
5	99020130	Rueda del soplador
6	99521760	Placa del motor
7	99521761	Retenedor del elemento
8	99271288	Elemento calefactor (se requieren 2)
9	99521767	Termostato (opcional)
10	---	Cubierta (blanca)
11	99521769	Perilla (opcional)
12	*	Tornillo, cabeza hexagonal ranurada 6-20 x 1/4 (se requieren 2)
13	*	Tornillo, cabeza ranurada 6-20 x 3/8 AB Pt.
14	*	Tuerca, llaves hexagonales 6-32 (se requieren 2)
15	*	Tornillo, cabeza ranurada 10-16 x 3/8 AB Pt.
16	*	Tuerca, llaves hexagonales 10-32 (se requieren 2)
17	*	Tornillo, cabeza ranurada 10-32 x 1/2 tipo F
18	*	Tornillo, cabeza plana Phillips 6-32 x 3/4 (se requieren 2) (opcional)
19	*	Tornillo, cabeza plana ranurada 8-18 x 1/4 (se requieren 4)
20	99522782	Luz de alarma

* Visserie standard - peut être achetée localement.

PIEZAS DE REPUESTO

