

Ventilation Fan with Light

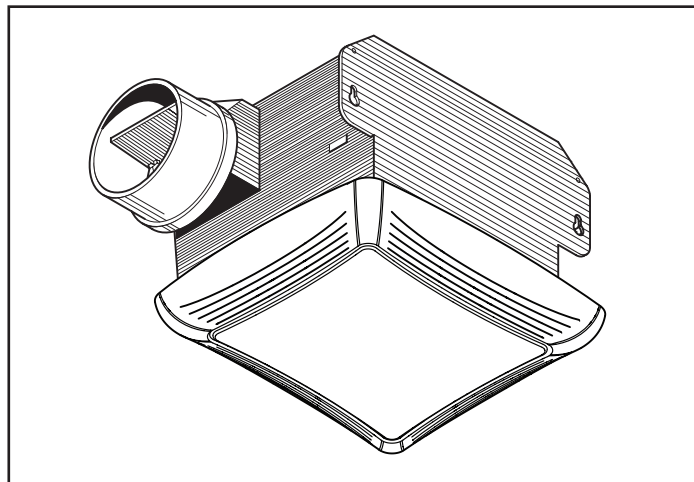
MODEL 769RL

DESCRIPTION

- Efficient ventilation and bright light in one easy installation.
- Fan and light operate separately or together.
- Quiet operation with one-piece molded blower wheel and silent backdraft damper.
- Attractive grille styling.
- Plug-in motor and light.
- Uses one (1) 100 watt incandescent bulb (bulb not included).
- Refer to NuTone's catalog for a complete listing of accessories to effectively adapt this Ventilation Fan with Light to your construction requirements.

DESIGN FEATURES

- Air Delivery:** 70 cfm.
Sound Level: 4.0 Sones.
Dimensions: **Housing:** 9" x 9" x 5¾".
Grille: 12" x 10¾".
- Lamp:** One 100W maximum A19 (bulb not included)
- Material & Component Data:** **Housing:** Galvanized steel.
Grille: Engineered resin.
Lens: Translucent white polymeric.
Reflector: Aluminum.
Damper: Polymeric.
- Motor:** Shaded pole, thermally protected.
Electrical Rating: With one (1) 100 watt bulb:
 120 VAC, 60 Hz, 2.0 A
- Blower Wheel:** One-piece polymeric, 4¾" diameter.
Duct Size: 4" diameter.
Mounting: Mounting flange provided.



INSTALLATION

- Suitable for use over tub or shower enclosure when installed in a GFCI protected branch circuit.
- Installation instructions are included with each unit.
- Type IC for use with thermal insulation.
- Not for use with solid state speed controls.
- Not for use in kitchens.

ARCHITECT'S SPECIFICATIONS

Ventilation Fan with Light shall be NuTone Model 769RL as manufactured according to listed specifications. Fan shall ventilate 70 cfm at a sound level of 4.0 Sones. Housing shall be 9" x 9" x 5¾" and connect to 4" duct.

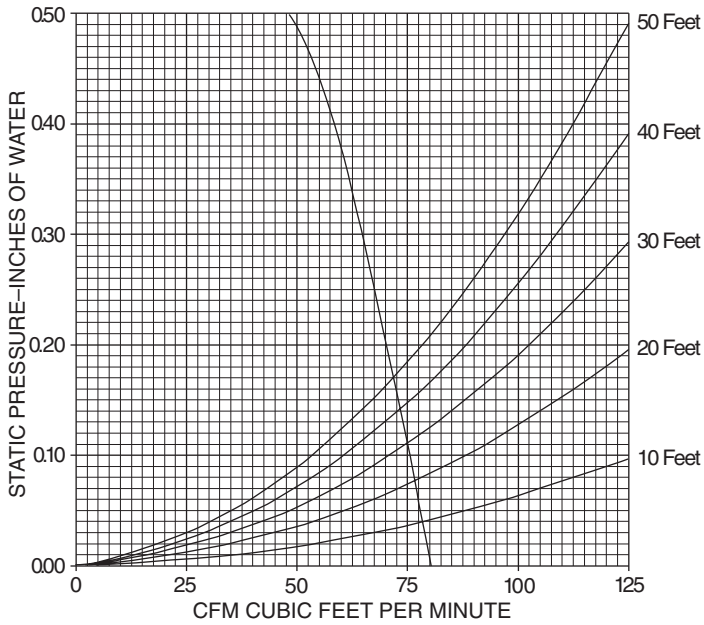


Broan-NuTone LLC, 926 West State Street, Hartford, WI 53027 www.Broan-NuTone.com 1-800-558-1711

REFERENCE	QTY.	REMARKS	Project
			Location
			Architect
			Engineer
			Contractor
			Submitted by Date

MODEL 769RL
CERTIFIED TEST DATA

AIR PERFORMANCE CURVE
 (4 In. Duct to 10 Foot Lengths)



The air delivery of a ventilating system may be determined by:

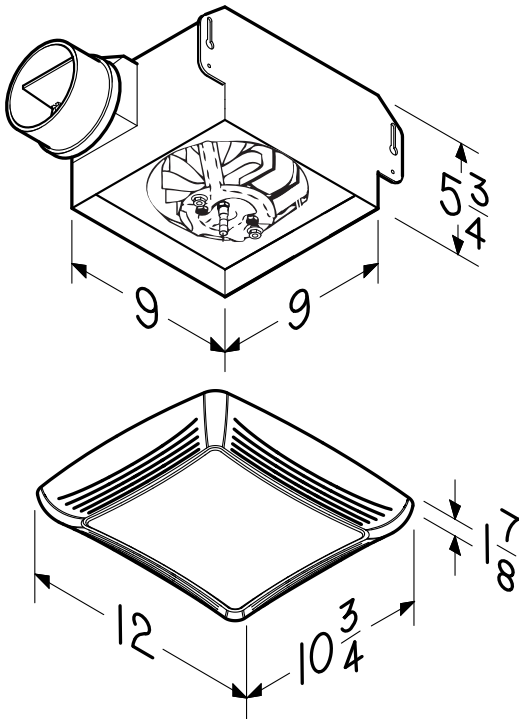
1. Determine the equivalent duct length for each 90 degree elbow by adding one foot of duct length for each inch of duct diameter, (i.e., a 4-inch diameter duct elbow equals 4 feet equivalent duct length).
2. Add the total straight length of duct and the equivalent length for each elbow to obtain the total equivalent duct length.
3. Locate the intersection of the fan performance curve and the total equivalent duct length curves and draw a vertical line down to the (cfm) scale and read the system air performance.



HVI-2100 CERTIFIED RATINGS comply with new testing technologies and procedures prescribed by the Home Ventilating Institute, for off-the-shelf products, as they are available to consumers. Product performance is rated at 0.1 in. static pressure, based on tests conducted in a state-of-the-art test laboratory. Sones are a measure of humanly-perceived loudness, based on laboratory measurements.



MODEL 769RL
DIMENSIONS



Product specification subject to change without notice.

NuTone®

Broan-NuTone LLC, 926 West State Street, Hartford, WI 5302 www.Broan-NuTone.com 1-800-558-1711