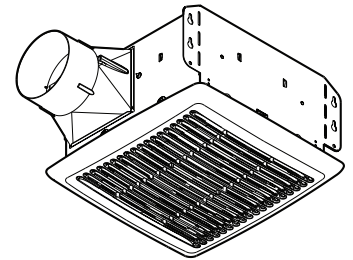


# MODEL PEN811 FLEX SERIES™ FAN



**DESCRIPTION**

**BLOWER:**

- Plug-in, permanently lubricated motor - engineered for continuous operation
- Dynamically balanced centrifugal blower wheel for quiet, efficient performance
- Low RPM for quiet operation

**HOUSING:**

- Rugged, 26 gauge, galvanized steel construction
- Polymeric, 4" duct connector with tapered sleeve and no metallic clatter
- 5¾" height allows for 2" x 6" ceiling installations
- Sturdy, easy, four-point mounting directly to joist
- Can be mounted in ceilings up to 7/12 pitch
- Can be installed in a wall if mounted 8-ft. or more above the floor

**GRILLE:**

- Polymeric construction

**CONTROLS (Purchase separately):**

- Refer to Broan's catalog for a complete line of accessories to effectively adapt these fans to your construction requirements.

U.L. Listed for use over bathtubs and showers when connected to a GFCI protected branch circuit (ceiling mount only).

5-Year Warranty

**TYPICAL SPECIFICATION**

Fan shall be Broan Model PEN811.

Fan shall have corrosion resistant galvanized steel housing with four-point mounting capability. It shall be ducted to a roof or wall cap using 4" round ductwork.

Blower assembly shall be removable, have a centrifugal-type blower wheel and a permanently lubricated motor designed for continuous operation.

Non-metallic damper/duct connector shall be included.

Multi speed 80/110 CFM no greater than 1-2 sones.

Air delivery shall be no less than the airflow values and no greater than the sound level values listed in the HVI Performance Specifications provided in this specification (see following chart). All air and sound ratings shall be certified by HVI.

Ceiling Ventilator shall be U.L. Listed for use over bathtubs and showers when connected to a GFCI protected branch circuit.



Broan-NuTone LLC, 926 West State Street, Hartford, Wisconsin, USA 53027 broan-nutone.com 800-558-1711  
Venmar Ventilation ULC, 550 Lemire Blvd., Drummondville, Québec, Canada J2C 7W9 broan-nutone.ca 800-567-3855

REFERENCE	QTY.	REMARKS	Project
			Location
			Architect
			Engineer
			Contractor
			Submitted by <span style="float: right;">Date</span>

# PERFORMANCE RATINGS

## MODEL PEN811 FLEX SERIES™ FAN

### HVI PERFORMANCE

Model	Static Pressure (in H <sub>2</sub> O)	Airflow (CFM)	Sound (Sones)	Power (Watts)	Efficacy (CFM / W)
PEN811	0.1 Ps	80	1.0	21.1	4.0
		110	1.5	26.4	4.2
	0.25 Ps	80	1.5		
		110	2.0		



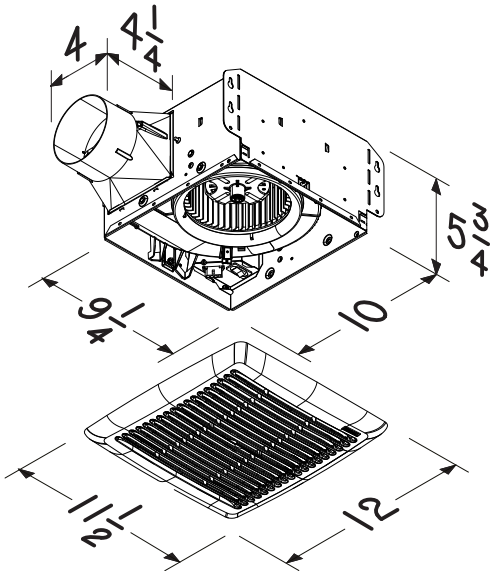
HVI-2100 CERTIFIED RATINGS comply with new testing technologies and procedures prescribed by the Home Ventilating Institute, for off-the-shelf products, as they are available to consumers. Product performance is rated at 0.1 in. static pressure, based on tests conducted in a state-of-the-art test laboratory. Sones are a measure of humanly-perceived loudness, based on laboratory measurements.

### ELECTRICAL & WEIGHT

Model	Volts	Hz	Amps	Shipping Weight
PEN811	120	60	0.3	10 lb.

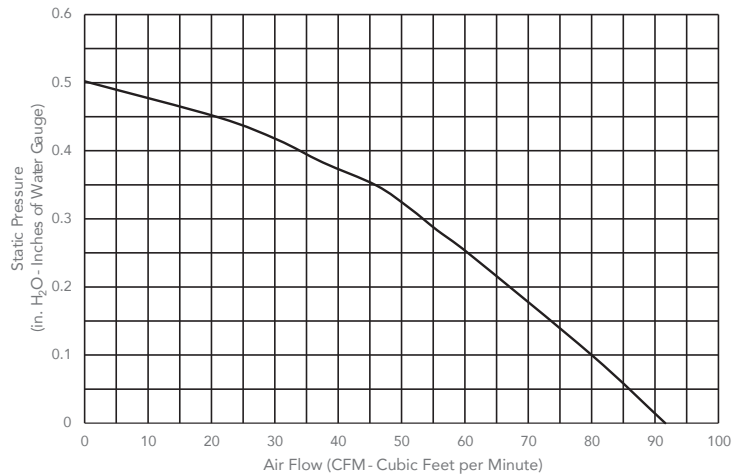


### AIR FLOW PERFORMANCE



NOTE: Dimensions shown are in inches.

MODEL PEN811 - 80 CFM SETTING



MODEL PEN811 - 110CFM SETTING

