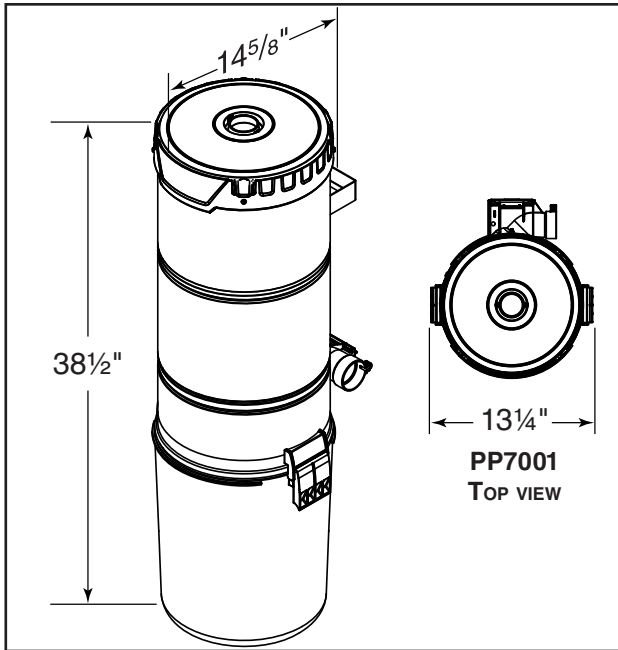


PUREPOWER SERIES PP7001



SPECIFICATIONS

Motor	1-Stage
Horsepower	2.35 @ Full open orifice
Amperes	13.5
Voltage	120 VAC
Water Lift	130"
Air Watts	700
Switch on Power Unit.	Yes
Recommended Circuit	Minimum 20 Amps
Filtration Type	Sealed HEPA 2.0
Capacity	6 U.S. Gallons
Filtration Level	HEPA
Quietness	63 dB
UL Listed	Yes
Housing	Metal housing with polymeric debris pail
Dimensions.	13 1/4" W x 14 5/8" D x 38 1/2" H

Designed for homes from 2,500 to 10,000 ft.², this power unit features a 1-stage motor that delivers 700 air watts of power.

FEATURES

- Sealed HEPA 2.0 featuring HEPA filter with glued seams and a secondary HEPA filter provide unmatched filtration for cleanest indoor air
- ULTRA Silent™ Technology: Among the quietest in the industry; no muffler required
- FlexCollect debris disposal - Hybrid bagging system offers bagged & bagless options in 1 unit
- Large 6 U.S. gallon easy-clean, corrosion resistant debris pail that typically needs emptying only every 6 months
- Oversized debris pail handles made for a quick and easy pail removal
- Utility valve included
- Wall mounted bracket for simple, safe and secure mounting
- Six foot long power cord
- UL Listed
- 10-Year parts warranty and 6-Year labor warranty



Broan-NuTone LLC, 926 West State Street, Hartford, WI 53027 (1-888-336-6151) www.nutone.com

Project:	REMARKS
Location:	
Model no.:	
Quantity:	
Submitted by:	
Date:	