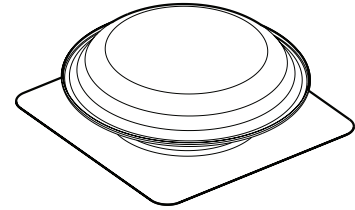


ROOF-MOUNT POWERED ATTIC VENTILATOR



READ AND SAVE THESE INSTRUCTIONS

WARNING

TO REDUCE THE RISK OF FIRE, ELECTRIC SHOCK, OR INJURY TO PERSONS, OBSERVE THE FOLLOWING:

1. Use this unit only in the manner intended by the manufacturer. If you have questions, contact the manufacturer at the address or telephone number listed in the warranty.
2. Before servicing or cleaning unit, switch power off at service panel and lock the service disconnecting means to prevent power from being switched on accidentally. When the service disconnecting means cannot be locked, securely fasten a prominent warning device, such as a tag, to the service panel.
3. Installation work and electrical wiring must be done by a qualified person(s) in accordance with all applicable codes and standards, including fire-rated construction codes and standards.
4. Sufficient air is needed for proper combustion and exhausting of gases through the flue (chimney) of fuel burning equipment to prevent backdrafting. Follow the heating equipment manufacturer's guidelines and safety standards such as those published by the National Fire Protection Association (NFPA), and the American Society for Heating, Refrigeration and Air Conditioning Engineers (ASHRAE), and the local code authorities.
5. When cutting or drilling into wall or ceiling, do not damage electrical wiring and other hidden utilities.
6. The wiring must be permanent. **DO NOT USE AN EXTENSION CORD!** Use 14 GA. MINIMUM copper wire. Although the Powered Attic Ventilator may be wired directly to power, we advise that some type of shut off switch be installed in the line. Please see the section on electrical wiring for suggested wiring diagrams and instructions.
7. To reduce the risk of electric shock, do not use this fan with any solid-state speed control device.
8. This unit must be grounded.

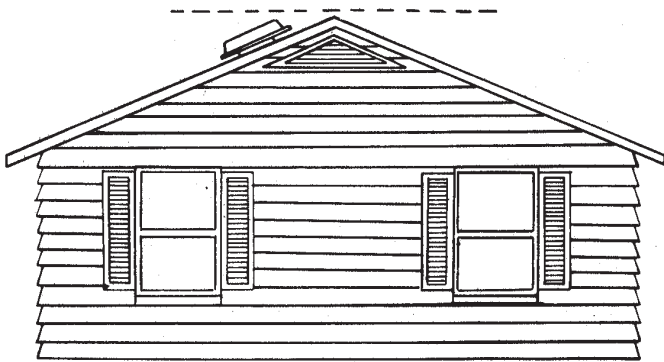
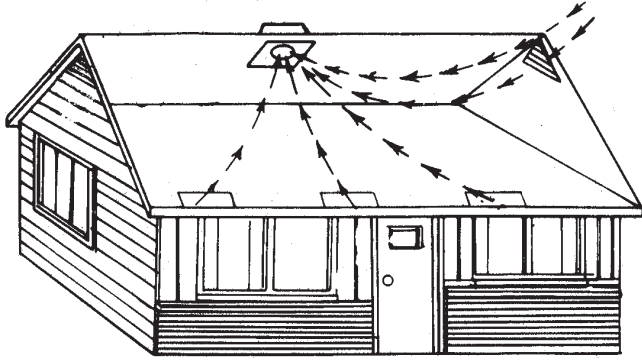
CAUTION

1. For general ventilating use only. Do not use to exhaust hazardous or explosive materials and vapors.
2. To avoid motor bearing damage and noisy and/or unbalanced impellers, keep drywall spray, construction dust, etc. off power unit.
3. This unit has an unguarded impeller. Do not use in locations readily accessible to people or animals.
4. Fan is equipped with a thermostat which may start fan automatically. To reduce risk of injury or electric shock while servicing or cleaning unit, switch power off at service panel and lock service panel to prevent power from being switched on accidentally. When the service disconnecting means cannot be locked, securely fasten a prominent warning device, such as a tag, to the service panel.
5. Home Ventilating Institute (HVI) recommends one square foot of open air inlet per 300 cfm of fan capacity. The best location for these air intake vents are under the eaves with direct access to the attic. Failure to provide these intakes could cause natural-draft gas appliances to backdraft.
6. Your attic fan installation will create a screened opening into your attic space. During a heavy rain storm there could be a light spray of rain into this attic space. This is a normal condition with all attic ventilators and will not cause any damage to the structure. We recommend that you do not store any valuable articles directly under the fan opening in the roof. During extreme rain and wind storms you may want to turn on your attic ventilator to prevent excess moisture accumulation in your attic.
7. Records show, under ideal conditions, exposed galvanized steel can remain rust free up to 100 years. For best protection, the exposed portion of the roof sheet should be painted, especially in areas of unusually high industrial air pollution. Follow paint manufacturer's instructions for good adhesion.
8. This ventilator is intended for roof installation. The Broan Model 353 Gable Mount Ventilator is available for side wall applications.
9. The dome may be painted with a high-quality paint. Follow the paint manufacturer's recommendations for powder-coated steel.
10. Please read specification label on product for further information and requirements.

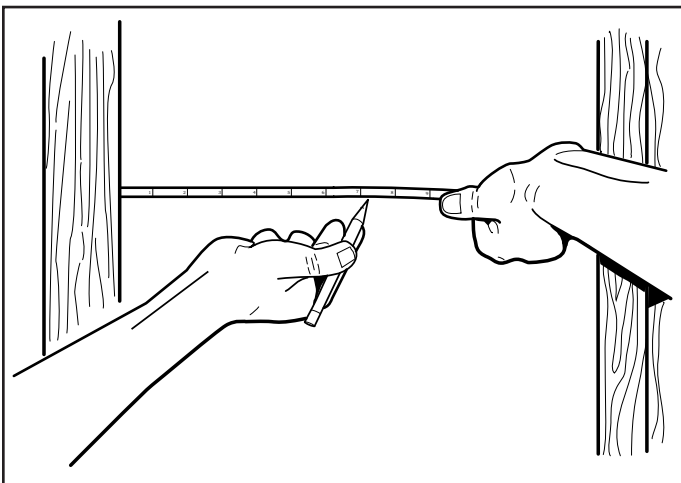
TOOLS AND MATERIALS REQUIRED

- | | |
|---|---|
| <input type="checkbox"/> Slotted Screwdriver | <input type="checkbox"/> Pencil |
| <input type="checkbox"/> Drill | <input type="checkbox"/> Utility Knife |
| <input type="checkbox"/> 1/4" Drill Bit | <input type="checkbox"/> Pry Bar (to remove roofing nails) |
| <input type="checkbox"/> Sabre Saw or Keyhole Saw | <input type="checkbox"/> Roofing Cement |
| <input type="checkbox"/> Hammer | <input type="checkbox"/> Galvanized Roofing Nails (1 3/4" min.) |
| <input type="checkbox"/> Ruler | <input type="checkbox"/> Electrical Supplies (to comply with codes) |

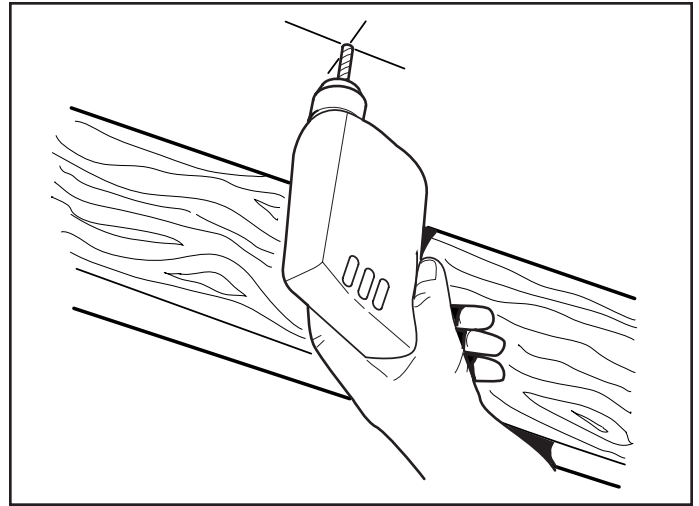
INSTALLATION



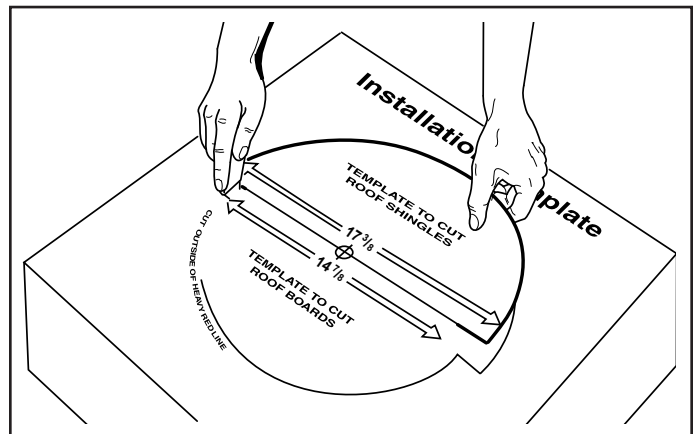
1. Locate the ventilator at the center of the rear slope of the roof. Place it as high on the roof as possible. The location should be free of obstacles (T.V. leads, electrical lines, etc.). If the ventilator top is level with the roof peak, it can't be seen from the street. Keep this approximate location in mind as you work from within the attic.



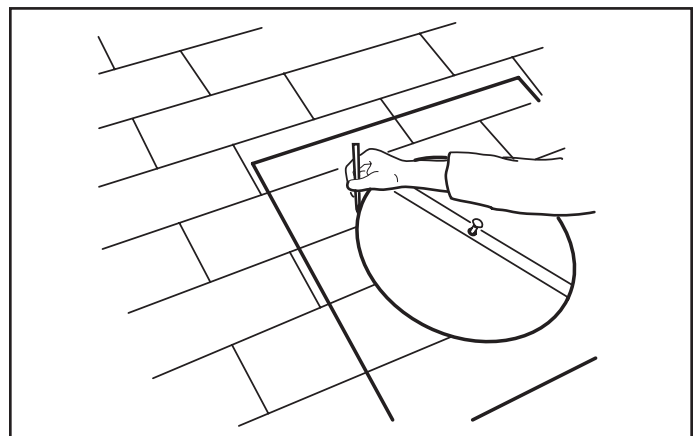
2. Mark a spot halfway between rafters.



3. Drill a guide hole through the roof at this mark.

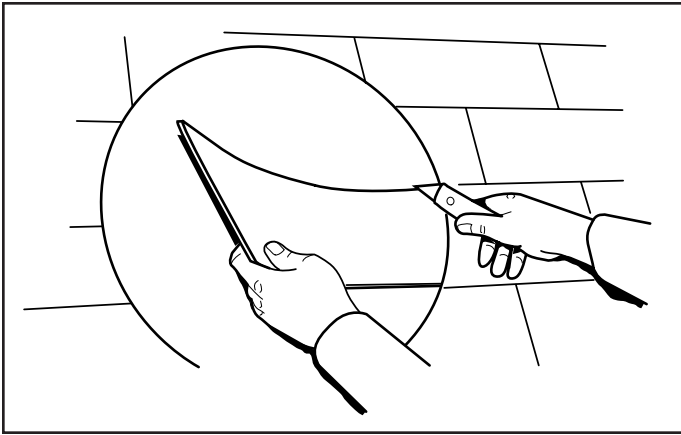


4. Cut out the template found on the carton.

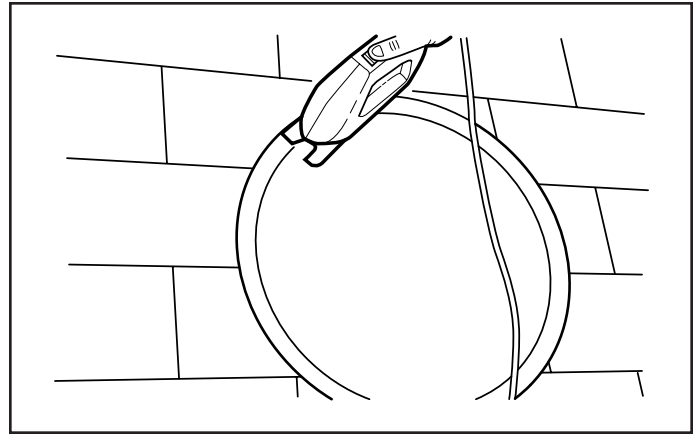


5. Push a large nail through the center of the cardboard template and into the guide hole.

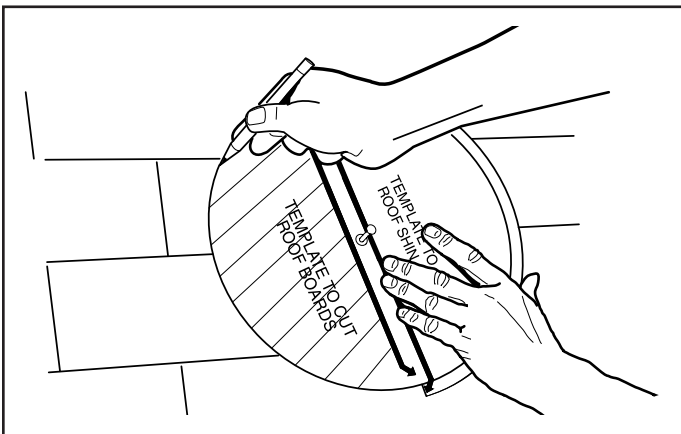
Using the large half of the template, draw a 17 3/8" diameter circle on the shingles.



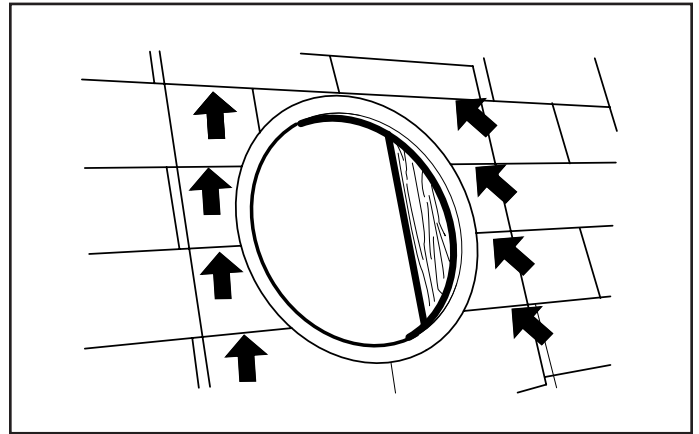
6. Cut out the shingles inside of the circle.



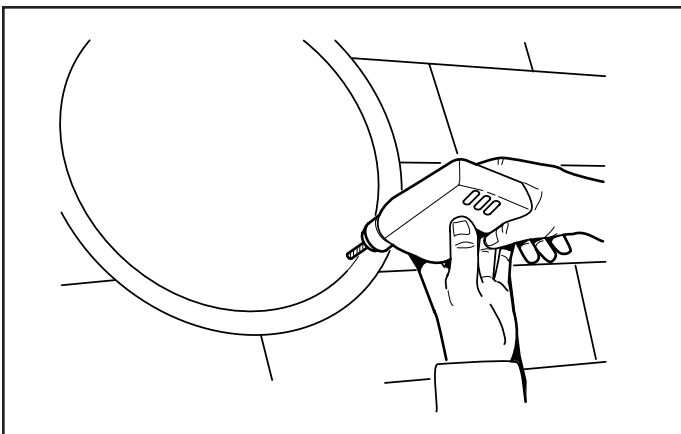
9. Cut out the roof board(s) inside of the line. **Do not cut rafters.**



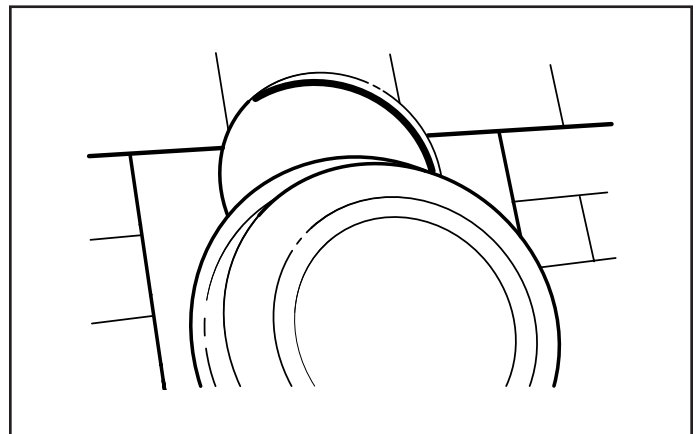
7. Replace template over guide hole and draw a 14 $\frac{7}{8}$ " diameter circle on the black paper or roof boards using the smaller half of the template.



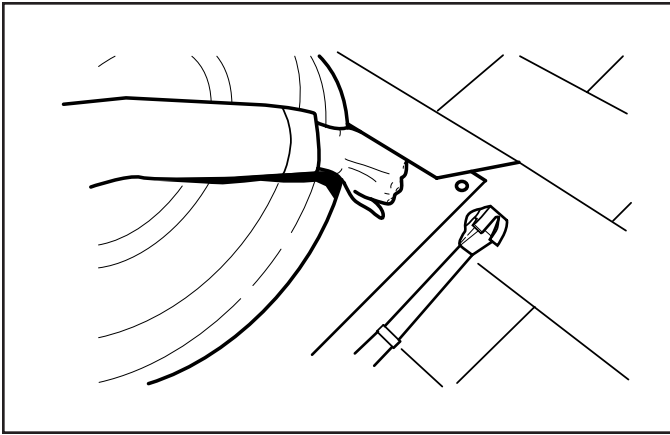
10. For proper removal of roofing nails, draw a 25 $\frac{3}{8}$ " square, centered around the hole. Remove nails holding shingles down from top two-thirds of square.



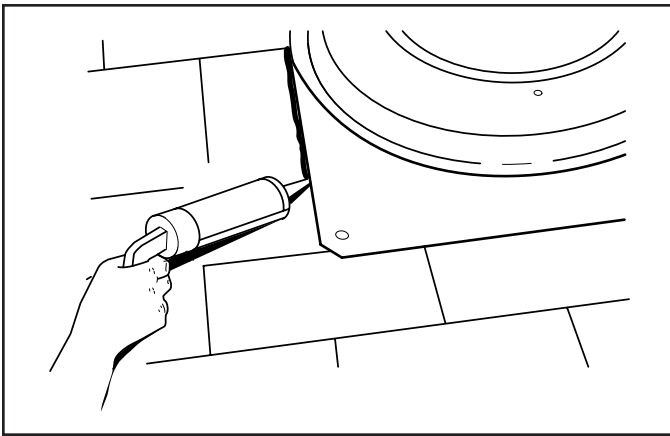
8. Drill a large starting hole for the sabre saw just inside of the line.



11. Slide the flashing under the shingles. Start two-thirds of the way down from the top of the 25 $\frac{3}{8}$ " square. Do not bend the shingles any more than necessary. Center the ventilator over the hole.



12. Carefully lift shingles and nail flashing securely to the roof using galvanized roofing nails.



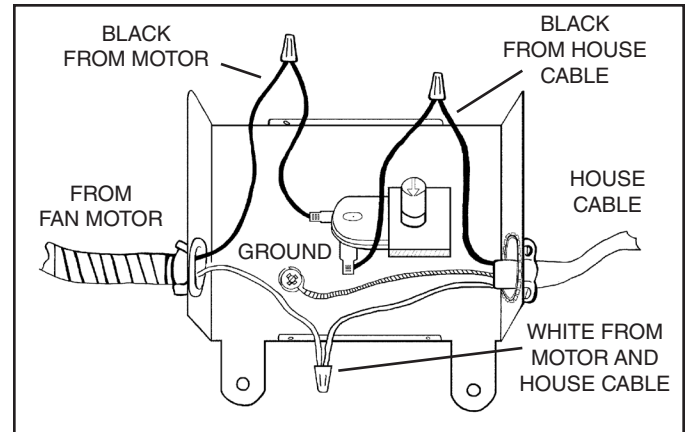
13. Using a good grade of roofing cement material, seal all of the shingles and heads of nails.

DO NOT seal the bottom edge of the flashing.

WIRING

IMPORTANT: Do not mount outlet box near heat source.

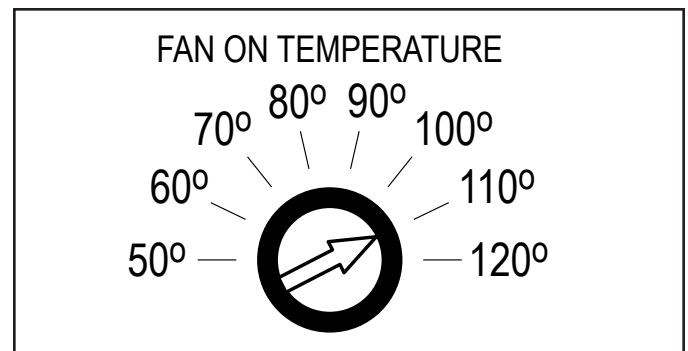
1. Mount the outlet box to a nearby rafter so that the outlet box is higher than the fan motor.



CAUTION: Make sure fan and switches are properly grounded and all wiring complies with local electrical code requirements.

2. Remove the thermostat wiring box cover plate. Bring 120 VAC, 14-gauge-with-ground house power cable at least 6" into the thermostat wiring box. Fasten cable to box with appropriate connector.
3. An on/off switch can be installed in a convenient location in the living area of the house so that the fan can be turned off when not needed.

ADJUSTING THE THERMOSTAT



The fan thermostat is preset to 110°F. The fan will automatically start when the ambient temperature reaches the set temperature and stop when the temperature drops 10-degrees below the set temperature. The start temperature can be adjusted from 60°F to 120°F.

SERVICE PARTS

KEY NO.	PART NO.	DESCRIPTION
1	0705B000	Cover
2	0706B000	Motor
3	0707B000	Blade
4	0711B000	Outlet Box Thermostat Assembly

WARRANTY

Limited Warranty

Warranty Period and Exclusions: Broan-NuTone LLC (the "Company") warrants to the original consumer purchaser of its product ("you") that the product (the "Product") will be free from material defects in the Product or its workmanship for a period of one (1) year from the date of original purchase.

The limited warranty period for any replacement parts provided by the Company and for any Products repaired or replaced under this limited warranty shall be the remainder of the original warranty period.

This warranty does not cover speed controls, fluorescent lamp starters, tubes, halogen and incandescent bulbs, fuses, filters, ducts, roof caps, wall caps and other accessories for ducting that may be purchased separately and installed with the Product. This warranty also does not cover (a) normal maintenance and service, (b) normal wear and tear, (c) any Products or parts which have been subject to misuse, abuse, abnormal usage, negligence, accident, improper or insufficient maintenance, storage or repair (other than repair by the Company), (d) damage caused by faulty installation, or installation or use contrary to recommendations or instructions, (e) any Product that has been moved from its original point of installation, (f) damage caused by environmental or natural elements, (g) damage in transit, (h) natural wear of finish, (i) Products in commercial or nonresidential use, or (j) damage caused by fire, flood or other act of God. This warranty covers only Products sold to original consumers in the United States by the Company or U.S. distributors authorized by the Company.

This warranty supersedes all prior warranties and is not transferable from the original consumer purchaser.

No Other Warranties: This Limited Warranty contains the Company's sole obligation and your sole remedy for defective products. The foregoing warranties are exclusive and in lieu of any other warranties, express or implied. THE COMPANY DISCLAIMS AND EXCLUDES ALL OTHER EXPRESS WARRANTIES, AND DISCLAIMS AND EXCLUDES ALL WARRANTIES IMPLIED BY LAW, INCLUDING WITHOUT LIMITATION THOSE OF MERCHANTABILITY AND FITNESS FOR A PARTICULAR PURPOSE. To the extent that applicable law prohibits the exclusion of implied warranties, the duration of any applicable implied warranty is limited to the period specified for the express warranty above. Some states do not allow limitations on how long an implied warranty lasts, so the above limitation may not apply to you. Any oral or written description of the Product is for the sole purpose of identifying it and shall not be construed as an express warranty.

Whenever possible, each provision of this Limited Warranty shall be interpreted in such manner as to be effective and valid under applicable law, but if any provision is held to be prohibited or invalid, such provision shall be ineffective only to the extent of such prohibition or invalidity, without invalidating the remainder of such provision or the other remaining provisions of the Limited Warranty.

Remedy: During the applicable limited warranty period, the Company will, at its option, provide replacement parts for, or repair or replace, without charge, any Product or part thereof, to the extent the Company finds it to be covered by and in breach of this limited warranty under normal use and service. The Company will ship the repaired or replaced Product or replacement parts to you at no charge. You are responsible for all costs for removal, reinstallation and shipping, insurance or other freight charges incurred in the shipment of the Product or part to the Company. If you must send the Product or part to the Company, as instructed by the Company, you must properly pack the Product or part—the Company is not responsible for damage in transit. The Company reserves the right to utilize reconditioned, refurbished, repaired or remanufactured Products or parts in the warranty repair or replacement process. Such Products and parts will be comparable in function and performance to an original Product or part and warranted for the remainder of the original warranty period.

Exclusion of Damages: THE COMPANY'S OBLIGATION TO PROVIDE REPLACEMENT PARTS, OR REPAIR OR REPLACE, AT THE COMPANY'S OPTION, SHALL BE YOUR SOLE AND EXCLUSIVE REMEDY UNDER THIS LIMITED WARRANTY AND THE COMPANY'S SOLE AND EXCLUSIVE OBLIGATION. THE COMPANY SHALL NOT BE LIABLE FOR INCIDENTAL, INDIRECT, CONSEQUENTIAL OR SPECIAL DAMAGES ARISING OUT OF OR IN CONNECTION WITH THE PRODUCT, ITS USE OR PERFORMANCE.

Some states do not allow the exclusion or limitation of incidental or consequential damages, so the above limitation or exclusion may not apply to you. This warranty gives you specific legal rights, and you may also have other rights, which vary from state to state.

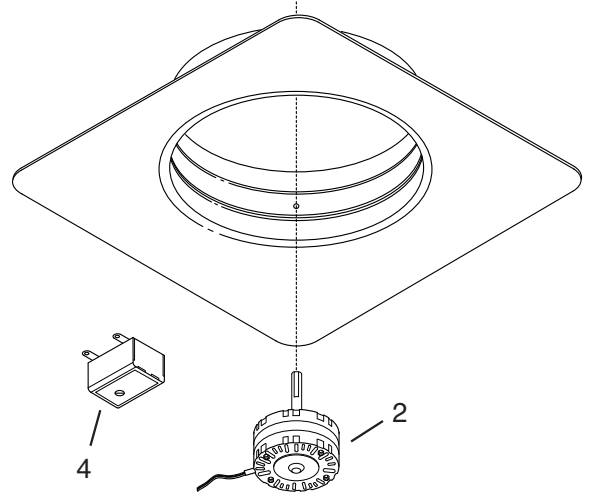
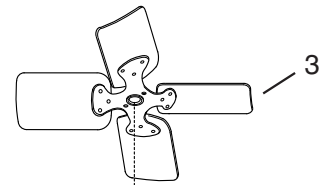
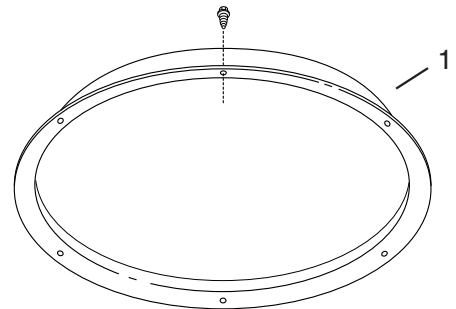
This warranty covers only replacement or repair of defective Products or parts thereof at the Company's main facility and does not include the cost of field service travel and living expenses.

Any assistance the Company provides to or procures for you outside the terms, limitations or exclusions of this limited warranty will not constitute a waiver of such terms, limitations or exclusions, nor will such assistance extend or revive the warranty.

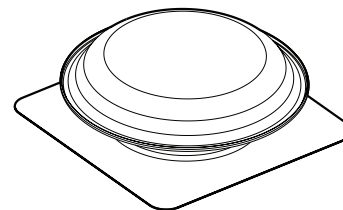
The Company will not reimburse you for any expenses incurred by you in repairing or replacing any defective Product, except for those incurred with the Company's prior written permission.

How to Obtain Warranty Service: To qualify for warranty service, you must (a) notify the Company at the address or telephone number stated below within seven (7) days of discovering the covered defect, (b) give the model number and part identification and (c) describe the nature of any defect in the Product or part. At the time of requesting warranty service, you must present evidence of the original purchase date. If you cannot provide a copy of the original written limited warranty, then the terms of the Company's most current written limited warranty for your particular product will control. The most current limited written warranties for the Company's products can be found at www.broan.com.

Broan-NuTone LLC 926 West State Street, Hartford, WI 53027 www.broan.com 800-637-1453



VENTILATEUR ÉLECTRIQUE DE GRENIER MONTÉ SUR LE TOIT



LIRE CES DIRECTIVES ET LES CONSERVER

AVERTISSEMENT



AFIN DE DIMINUER LES RISQUES D'INCENDIE, D'ÉLECTROCUTION OU DE BLESSURES, SUIVEZ CES DIRECTIVES :

1. N'utilisez cet appareil que de la manière prévue par le fabricant. Si vous avez des questions, communiquez avec le fabricant à l'adresse ou au numéro de téléphone indiqués dans la garantie.
2. Avant de procéder à l'entretien ou au nettoyage de l'appareil, coupez l'alimentation du panneau électrique et verrouillez l'interrupteur principal afin d'empêcher que le courant ne soit accidentellement rétabli. S'il est impossible de verrouiller l'interrupteur principal, fixez solidement un message d'avertissement, par exemple une étiquette, sur le panneau électrique.
3. La pose de l'appareil et les travaux d'électricité doivent être effectués par des personnes qualifiées conformément à la réglementation en vigueur, notamment les normes de la construction ayant trait à la protection contre les incendies.
4. Pour éviter les refoulements, l'apport d'air doit être suffisant pour brûler les gaz produits par les appareils à combustion et les évacuer dans le conduit de fumée (cheminée). Respectez les directives du fabricant de l'appareil de chauffage et les normes de sécurité, notamment celles publiées par la National Fire Protection Association (NFPA), l'American Society for Heating, Refrigeration and Air Conditioning Engineers (ASHRAE) et les codes des autorités locales.
5. Veillez à ne pas endommager le câblage électrique ou d'autres équipements non apparents lors de la découpe ou du perçage du mur ou du plafond.
6. Le câblage doit être permanent. **N'UTILISEZ PAS DE RALLONGE ÉLECTRIQUE!** Utilisez au **MINIMUM** un fil de cuivre de calibre 14. Bien que le ventilateur électrique de grenier puisse être directement raccordé à la source électrique, nous conseillons d'installer un interrupteur ou dispositif semblable sur la ligne. Veuillez consulter la section sur le câblage électrique pour les schémas de câblage suggérés et les instructions.
7. Pour réduire les risques de choc électrique, n'utilisez pas de commande de régime à semi-conducteurs avec ce ventilateur.
8. Cet appareil doit être relié à une mise à la terre.

ATTENTION

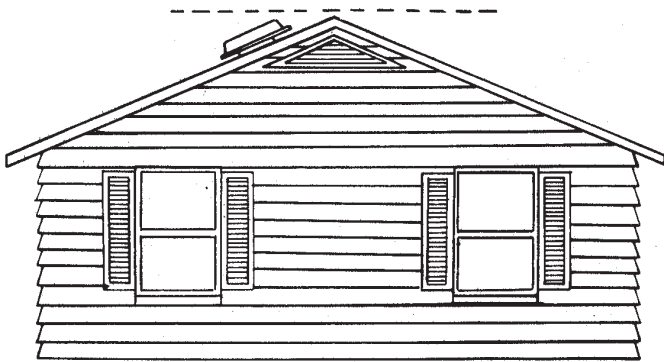
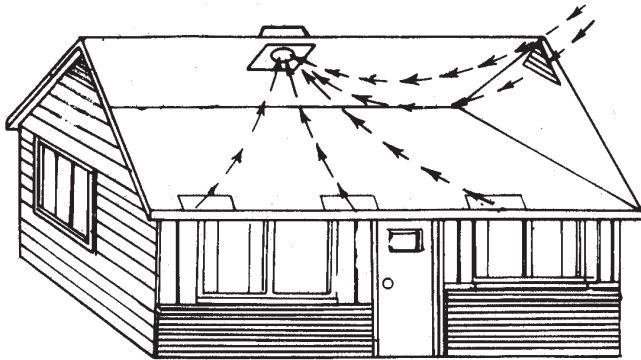


1. Cet appareil ne doit servir qu'à la ventilation générale. Ne l'utilisez pas pour l'évacuation de matières ou de vapeurs dangereuses ou explosives.
2. Pour éviter d'endommager les roulements de moteur, de déséquilibrer les pales ou de les rendre bruyantes, débarrassez l'appareil de la poussière de plâtre, de construction, etc.
3. Cet appareil comporte une hélice non protégée. Ne l'utilisez pas dans un endroit facilement accessible aux personnes ou aux animaux.
4. Le ventilateur est doté d'un thermostat qui peut le faire démarrer automatiquement. Pour réduire les risques de blessure ou de choc électrique lors de l'entretien ou du nettoyage de l'appareil, coupez l'alimentation du panneau électrique et verrouillez l'interrupteur principal afin d'empêcher que le courant ne soit accidentellement rétabli. S'il est impossible de verrouiller l'interrupteur principal, fixez solidement un message d'avertissement, par exemple une étiquette, sur le panneau électrique.
5. Le Home Ventilating Institute (HVI) recommande une entrée d'air de un pied carré pour un ventilateur d'une capacité de 8,5 cm³/min (300 pi³/min). Le meilleur emplacement pour ces entrées d'air est situé sous l'avant-toit aux endroits accédant directement au grenier. Négliger d'installer de tels événements risque d'entraîner le refoulement des gaz des appareils de combustion.
6. L'installation créera une ouverture grillagée accédant à l'espace du grenier. Lors d'un orage violent, une fine bruine de pluie pourrait pénétrer dans le grenier. Ceci est normal pour tous les ventilateurs de grenier et n'entraînera aucun dommage à la structure. Nous vous conseillons de ne pas ranger d'objets de valeur directement sous l'ouverture du ventilateur dans le toit. Lors d'une forte pluie ou par temps très venteux, vous pouvez actionner le ventilateur pour empêcher une accumulation excessive d'humidité dans le grenier.
7. Les données indiquent que, dans des conditions idéales, l'acier galvanisé exposé peut rester exempt de rouille jusqu'à cent ans. Pour la meilleure protection, la partie exposée de la tôle de toiture devrait être peinte, particulièrement dans les lieux exposés à une forte pollution industrielle de l'air. Suivez les directives du fabricant de la peinture pour obtenir une bonne adhérence.
8. Ce ventilateur est conçu pour être installé sur un toit. Le ventilateur de pignon Broan modèle 353 est disponible pour les applications murales.
9. Le dôme peut être peint avec une peinture de qualité supérieure. Suivez les recommandations du fabricant de la peinture pour l'acier enduit d'un revêtement en poudre.
10. Veuillez lire l'étiquette de spécifications du produit pour obtenir plus de renseignements, notamment sur les exigences.

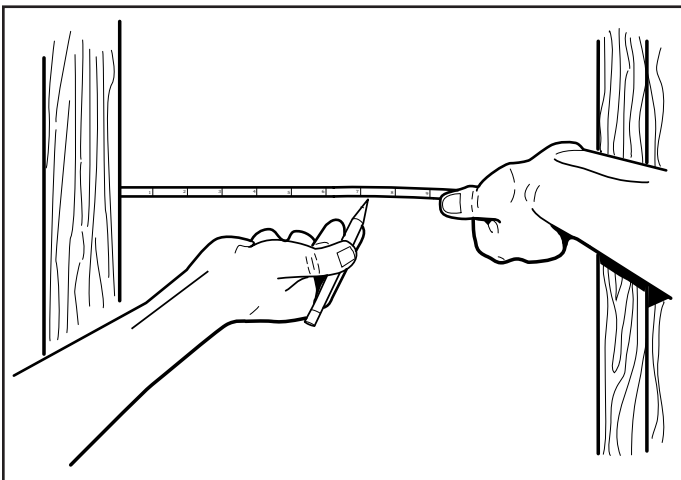
OUTILS ET MATÉRIEL REQUIS

- | | |
|--|---|
| <input type="checkbox"/> Tournevis plat | <input type="checkbox"/> Crayon |
| <input type="checkbox"/> Perceuse | <input type="checkbox"/> Couteau universel |
| <input type="checkbox"/> Mèche de 6,4 mm (1/4 po) | <input type="checkbox"/> Barre à clous (pour enlever les clous à toiture) |
| <input type="checkbox"/> Scie sauteuse ou scie passe-partout | <input type="checkbox"/> Enduit à toiture |
| <input type="checkbox"/> Marteau | <input type="checkbox"/> Clous à toiture galvanisés de 4,4 cm (1 3/4 po) min. |
| <input type="checkbox"/> Règle | <input type="checkbox"/> Accessoires d'alimentation électrique (conformes aux codes en vigueur) |

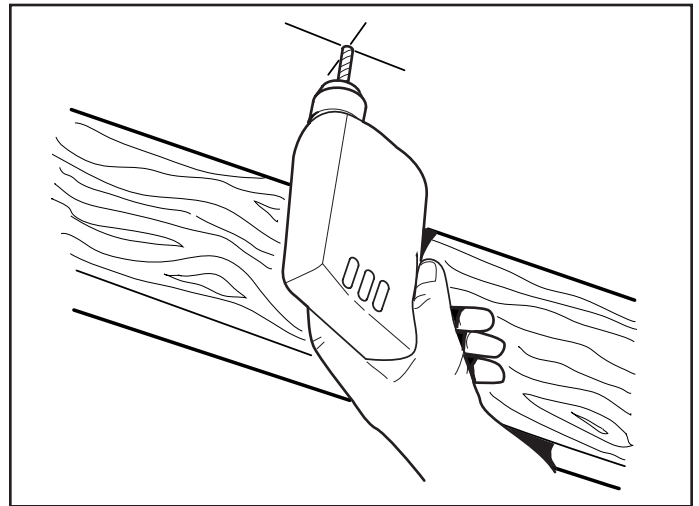
INSTALLATION



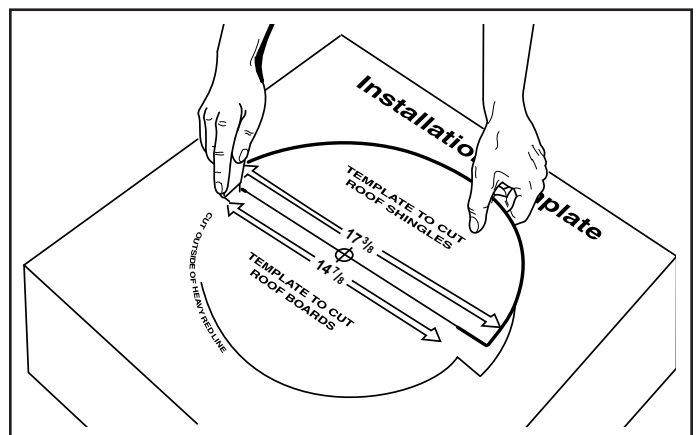
1. Choisissez un emplacement pour le ventilateur au centre du toit sur la pente arrière. Placez-le le plus haut possible sur le toit. L'emplacement doit être exempt d'obstacles (fils de téléviseur, lignes électriques, etc.). Si le dessus du ventilateur est au même niveau que le faite du toit, il ne pourra pas être aperçu de la rue. Gardez cet emplacement en tête pendant que vous travaillez à partir du grenier.



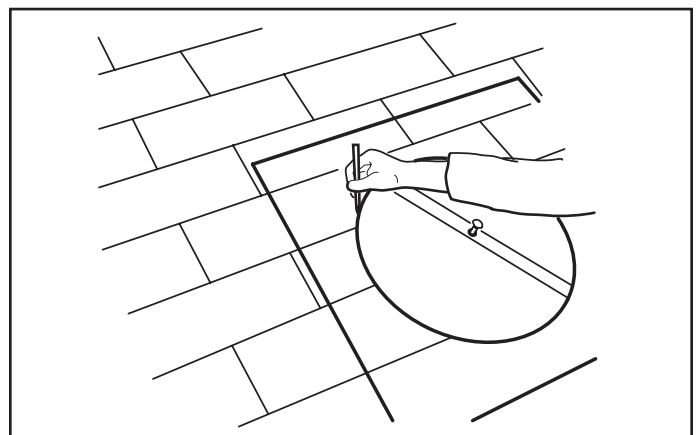
2. Tracez un repère au milieu des chevrons du toit.



3. Percez un avant-trou dans le toit au niveau du repère.

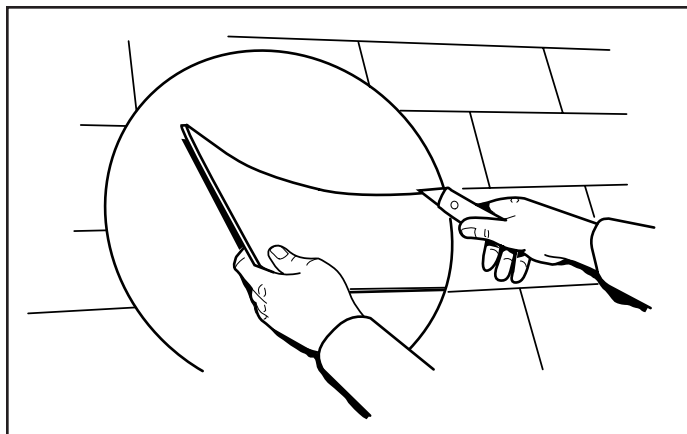


4. Découpez le gabarit du carton d'emballage.

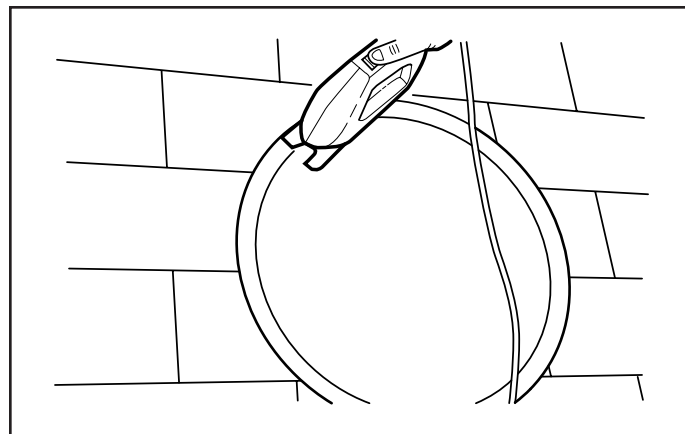


5. Enfoncez un gros clou au centre du gabarit en carton et dans l'avant-trou.

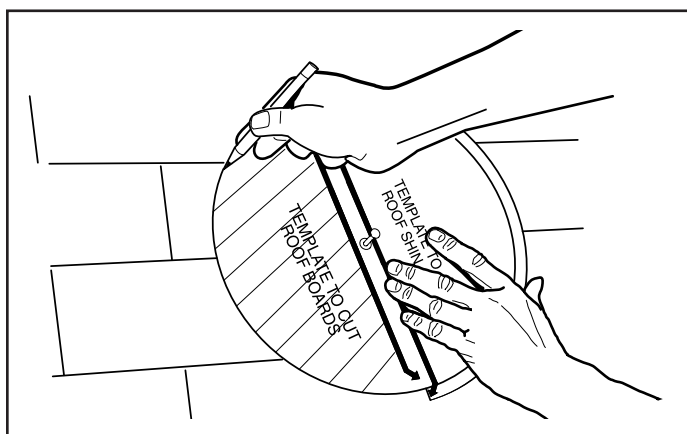
En vous servant de la grande moitié du gabarit, tracez un cercle de 43,3 cm (17 3/8 po) de diamètre sur les bardeaux.



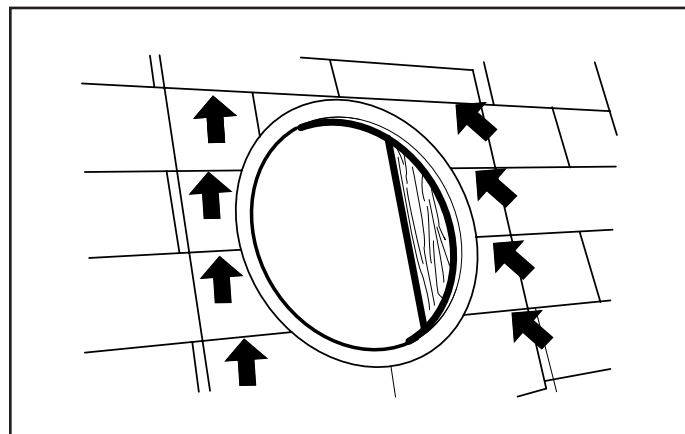
6. Taillez les bardeaux à l'intérieur du cercle.



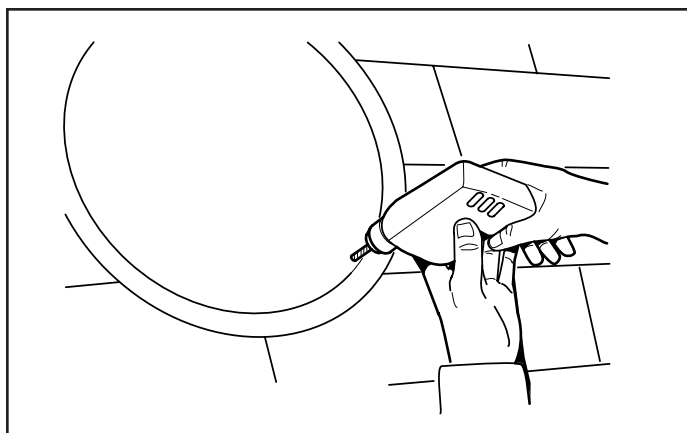
9. Coupez le ou les panneaux du toit à l'intérieur de la ligne.
Ne coupez pas les chevrons.



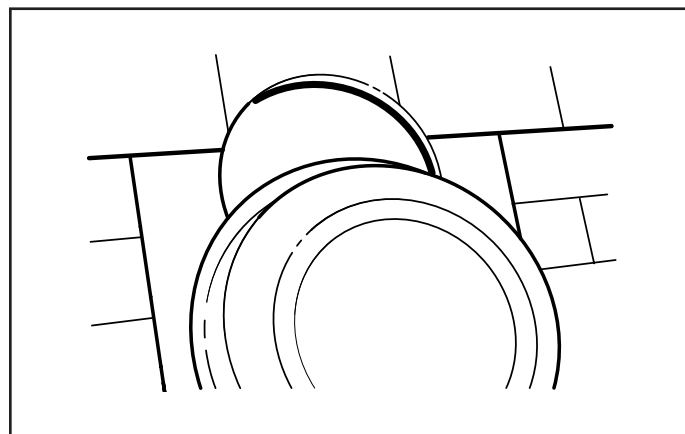
7. Remplacez le gabarit sur l'avant-trou et tracez un cercle de 35,7 cm (14 7/8 po) de diamètre sur le papier goudron ou le panneau du toit à l'aide de la petite moitié du gabarit.



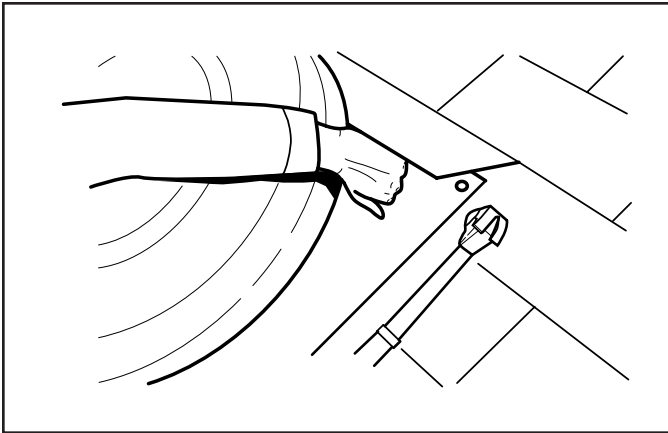
10. Pour enlever correctement les clous du toit, tracez un carré de 63,6 cm (25 3/8 po), centré autour de l'ouverture. Enlevez les clous des bardeaux du haut jusqu'au deux tiers du carré.



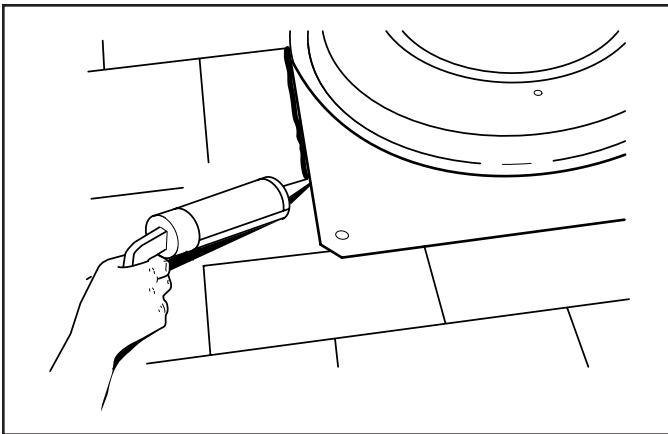
8. Percez un grand trou de départ pour la scie sauteuse juste à l'intérieur de la ligne.



11. Glissez le solin sous les bardeaux. Commencez au deux tiers du carré de 63,6 cm (25 3/8 po) à partir du haut. Ne pliez pas les bardeaux plus que nécessaire. Centrez le ventilateur sur l'ouverture.



12. Soulevez délicatement les bardeaux et clouez solidement le solin au toit à l'aide de clous à toiture galvanisés.



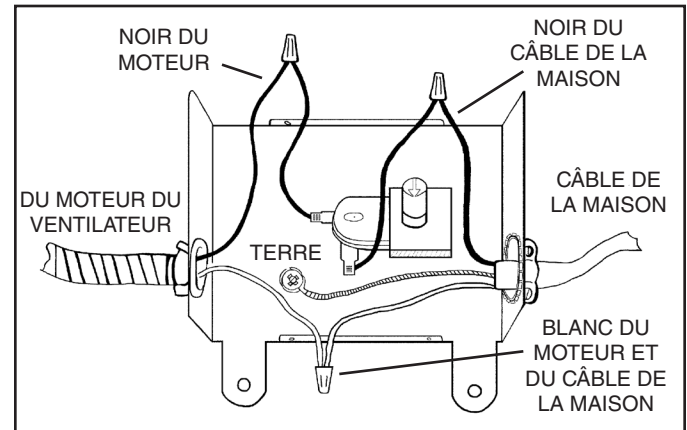
13. Imperméabilisez tous les bardeaux et les têtes de clou à l'aide d'un enduit à toiture de bonne qualité.

N'IMPERMÉABILISEZ PAS le bord inférieur du solin.

CÂBLAGE

IMPORTANT : Ne fixez pas la boîte électrique près d'une source de chaleur.

1. Fixez la boîte électrique plus haute que le moteur du ventilateur sur un chevron voisin.

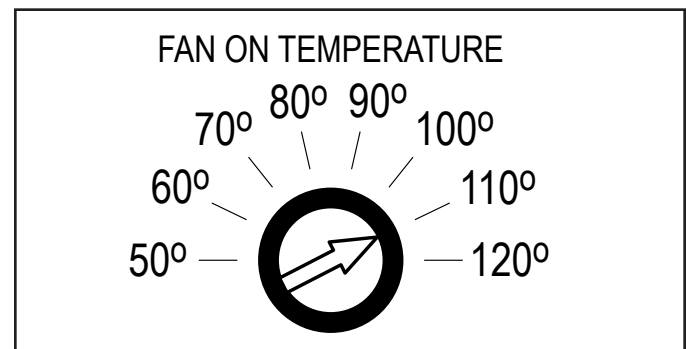


ATTENTION : Assurez-vous que le ventilateur et l'interrupteur sont correctement mis à la terre et que le câblage est conforme aux exigences du code local de l'électricité.

2. Enlevez le couvercle du boîtier de connexion du thermostat. Enflez un câble de 120 VCA, de calibre 14 avec mise à la terre d'au moins 15,2 cm (6 po) à l'intérieur de la boîte de connexion du thermostat. Fixez le câble à la boîte avec un connecteur approprié.

3. Un interrupteur marche/arrêt peut être installé à un endroit pratique dans la partie habitable de la maison afin de pouvoir arrêter le ventilateur au besoin.

RÉGLAGE DU THERMOSTAT



Le thermostat du ventilateur est pré-réglé à 43 °C (110 °F). Le ventilateur démarre automatiquement lorsque la température atteint le point de consigne et s'arrête lorsque la température chute de 10 degrés en deçà du point de consigne. La température de démarrage peut être réglée de 16° à 49 °C (60 °F à 120 °F).

PIÈCES DE RECHANGE

REPÈRE	N° DE PIÈCE	DESCRIPTION
1	0705B000	Couvercle
2	0706B000	Moteur
3	0707B000	Hélice
4	0711B000	Ensemble de boîtier de thermostat

GARANTIE

Garantie limitée

Période de garantie et exclusions : Broan-NuTone LLC (la « Société ») garantit au consommateur acheteur initial (« vous ») de son produit (le « Produit ») que celui-ci est exempt de tout vice de matériau ou de fabrication pour une période de un (1) an à compter de la date d'achat originale.

La période de la garantie limitée sur toute pièce de remplacement fournie par la Société et sur tout produit réparé ou remplacé en vertu de la présente garantie limitée correspond au reste de la période de garantie originale.

La présente garantie ne s'applique pas aux commandes de vitesse, tubes fluorescents et aux démarreurs, ni aux ampoules halogènes ou incandescentes, fusibles, filtres, conduits, capuchons de toit, capuchons muraux et autres accessoires pour conduits pouvant avoir été achetés séparément et installés avec le produit. La présente garantie ne couvre pas (a) les travaux d'entretien et de service normaux, (b) l'usure normale, (c) tout produit ou toute pièce ayant fait l'objet d'une mauvaise utilisation, d'un abus, d'un usage anormal, d'une négligence, d'un accident, d'un entretien, rangement ou réparation inadéquats ou insuffisants (autre que par la Société), (d) les dommages dus à une mauvaise installation, ou à une installation ou utilisation contraires aux recommandations ou instructions, (e) tout produit déplacé de son lieu d'installation original, (f) les dommages dus à des éléments environnementaux ou naturels, (g) les dommages dus au transport, (h) l'usure naturelle du fini, (i) les produits utilisés à des fins commerciales ou non-résidentielles ou (j) les dommages dus à un incendie, à une inondation ou à un événement fortuit. La présente garantie ne couvre que les produits vendus au consommateur initial aux États-Unis par la Société ou par les distributeurs américains autorisés par la Société.

La présente garantie remplace toute garantie précédente et le consommateur et acheteur initial ne peut la céder à quiconque.

Aucune autre garantie : La présente garantie limitée stipule les seules obligations de la Société et votre seul recours en cas de produits défectueux. La garantie ci-dessus est exclusive et remplace toute autre garantie, expresse ou tacite. LA SOCIÉTÉ EXCLUT TOUTE AUTRE GARANTIE EXPRESSE ET TOUTE GARANTIE DÉCOULANT IMPLICITEMENT DE LA LOI, Y COMPRIS, SANS S'Y LIMITER, LES GARANTIES DE VALEUR MARCHANDE ET D'ADÉQUATION À UN USAGE PARTICULIER. Dans la mesure où la loi en vigueur interdit l'exclusion des garanties tacites, la durée de toute garantie tacite est limitée à la période stipulée ci-dessus pour la garantie expresse. Certaines juridictions interdisant de limiter la durée d'une garantie tacite, la limitation ci-dessus peut ne pas s'appliquer à votre situation. Toute description verbale ou écrite du produit à pour seule fin de l'identifier et ne doit pas être interprétée comme une garantie expresse.

Si possible, chaque disposition de cette garantie limitée doit être interprétée de sorte à être en vigueur et valide en vertu des lois applicables, mais si une disposition s'avère interdite ou invalide, elle le sera seulement dans la mesure de cette interdiction ou invalidité, sans invalider le reste de cette disposition ni les autres dispositions de la présente garantie limitée.

Recours : Pendant la période de garantie limitée applicable, la Société pourra, à son choix, fournir des pièces de rechange ou réparer ou remplacer, sans frais, tout produit ou toute pièce, dans la mesure où la Société constate qu'il est couvert et contrevient à la présente garantie limitée dans des conditions normales d'utilisation et de service. La Société vous enverra gratuitement le produit réparé ou remplacé ou les pièces de rechange. Vous êtes responsable des frais de démontage, de remontage, d'expédition, d'assurance ou de tous autres frais de transport pour l'envoi du produit ou de la pièce à la Société. Si vous devez envoyer le produit ou la pièce à la Société, tel que la Société vous l'indiquera, vous devrez l'emballer correctement. La Société n'est pas responsable des dommages subis lors du transport. La Société se réserve le droit d'utiliser des produits ou des pièces remis en état, remis à neuf, réparés ou résinés dans le processus de réparation ou de remplacement sous garantie. Lesdits produits ou pièces seront comparables en fonction et en performance aux produits et pièces d'origine et seront garantis pendant le reste de la période de garantie originale.

Exclusion de dommages : L'OBLIGATION DE LA SOCIÉTÉ DE FOURNIR DES PIÈCES DE RECHANGE, OU DE RÉPARER OU REMPLACER LE PRODUIT, À SON CHOIX, CONSTITUE VOTRE SEUL ET UNIQUE RECOURS EN VERTU DE LA PRÉSENTE GARANTIE LIMITÉE ET LA SEULE ET UNIQUE OBLIGATION DE LA SOCIÉTÉ. LA SOCIÉTÉ NE PEUT ÊTRE TENUE RESPONSABLE DE TOUT DOMMAGE INDIRECT, CONSÉCUTIF, ACCESSOIRE OU SPÉCIAL DÉCOULANT DE L'UTILISATION OU DU RENDEMENT DU PRODUIT.

Certains territoires ou provinces ne permettant pas la limitation ou l'exclusion des dommages indirects ou consécutifs, la limitation ci-dessus peut ne pas s'appliquer à votre situation. La présente garantie vous confère des droits spécifiques reconnus par la loi. D'autres droits pourraient également vous être accordés selon la législation locale en vigueur.

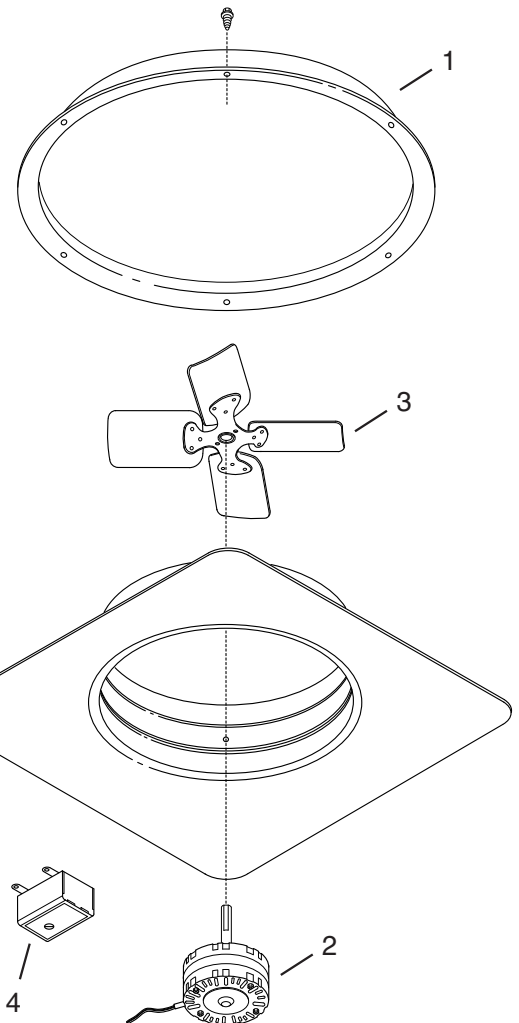
La présente garantie ne couvre que le remplacement ou la réparation des produits ou pièces défectueux à l'usine principale de la Société et ne comprend pas les frais de voyage et ni les dépenses quotidiennes pour une réparation à domicile.

Toute aide que la Société vous fournit en dehors des dispositions, limitations ou exclusions de cette garantie limitée ne constituera en rien une renonciation auxdites dispositions, limitations ou exclusions, et ne prolongera aucunement cette garantie pas plus qu'elle ne la remettra en vigueur.

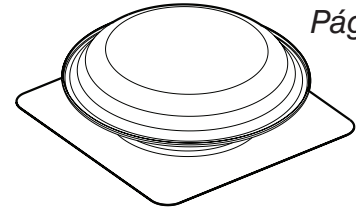
La Société ne vous remboursera aucune dépense encourue par vous pour la réparation ou le remplacement de tout produit défectueux, sauf celles que vous avez encourues avec la permission écrite préalable de la Société.

Comment bénéficier du service de garantie : Pour vous prévaloir de cette garantie, vous devez (a) aviser la Société à l'adresse ou au numéro de téléphone indiqués ci-dessus dans les sept (7) jours du constat de la défectuosité couverte, (b) donner le numéro de modèle du produit et le numéro d'identification de la pièce et (c) décrire la nature de la défectuosité du produit ou de la pièce. Lors de votre demande de garantie, vous devez présenter une preuve de la date d'achat originale. Si vous ne pouvez pas fournir une copie écrite de la garantie limitée originale, les dispositions de la garantie limitée écrite la plus récente de la Société concernant ce produit particulier s'appliqueront. Vous trouverez les garanties limitées écrites les plus récentes des produits de la Société sur le site www.broan.ca.

Broan-NuTone Canada, Inc. 1140 Tristar Drive, Mississauga, Ontario L5T 1H9 www.broan.ca 800-637-1453



VENTILADOR ELÉCTRICO PARA ÁTICO MONTADO EN EL TECHO



Página 11

LEA Y CONSERVE ESTAS INSTRUCCIONES

ADVERTENCIA

PARA REDUCIR EL RIESGO DE INCENDIOS, DESCARGAS ELÉCTRICAS O LESIONES PERSONALES, OBSERVE LAS SIGUIENTES PRECAUCIONES:

1. Use la unidad sólo de la manera indicada por el fabricante. Si tiene preguntas, comuníquese con el fabricante a la dirección o al número telefónico que se incluye en la garantía.
2. Antes de dar servicio a la unidad o de limpiarla, interrumpa el suministro eléctrico en el panel de servicio y bloquee los medios de desconexión del servicio para evitar que la electricidad se reanude accidentalmente. Cuando no sea posible bloquear los medios de desconexión del servicio, fije firmemente una señal de advertencia (como una etiqueta) en un lugar visible del panel de servicio.
3. Una o más personas calificadas deben realizar el trabajo de instalación y el cableado eléctrico, de acuerdo con todos los códigos y normas correspondientes, incluidos los códigos y normas de construcción específicos de protección contra incendios.
4. Se necesita suficiente aire para que se lleve a cabo una combustión y una extracción adecuadas de los gases a través del tubo de humos (chimenea) del equipo quemador de combustible, con el fin de evitar el contratiempo. Siga las directrices y las normas de seguridad del fabricante del equipo de calefacción, como las publicadas por la Asociación Nacional de Protección contra Incendios (National Fire Protection Association, NFPA), y la Sociedad Americana de Ingenieros en Calefacción, Refrigeración y Aire Acondicionado (American Society for Heating, Refrigeration and Air Conditioning Engineers, ASHRAE), y las autoridades de los códigos locales.
5. Al cortar o perforar a través de la pared o del techo, tenga cuidado de no dañar el cableado eléctrico ni otros servicios ocultos.
6. El cableado debe ser permanente. ¡NO UTILICE UNA EXTENSIÓN ELÉCTRICA! Utilice cable de cobre MÍNIMO de 14 GA. Aunque el ventilador eléctrico para ático puede cablearse directo a la electricidad, le aconsejamos que instale en la línea algún tipo de interruptor de apagado. Vea los diagramas de cableado e instrucciones sugeridas en la sección del cableado eléctrico.
7. Para reducir el riesgo de descargas eléctricas, no use este ventilador con ningún dispositivo de control de velocidad de estado sólido.
8. Esta unidad debe conectarse a tierra.

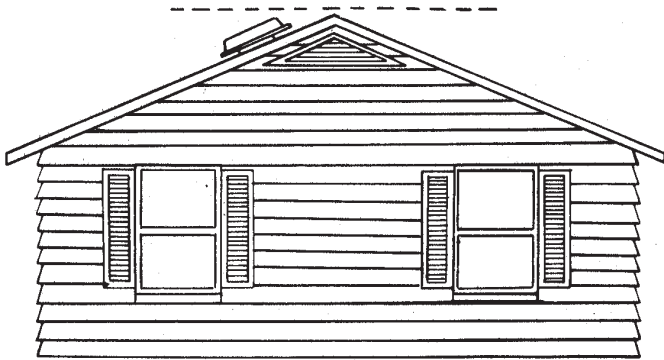
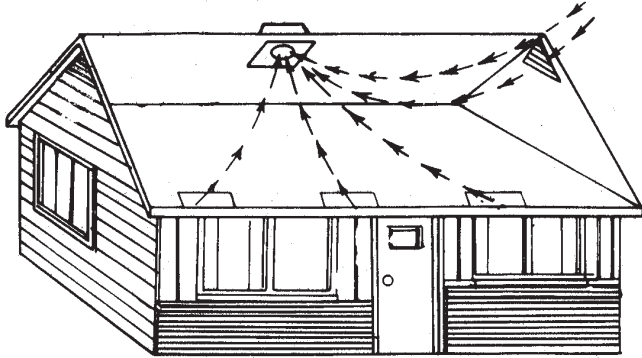
PRECAUCIÓN

1. Sólo para usarse como medio de ventilación general. No debe usarse para la extracción de materiales ni vapores peligrosos o explosivos.
2. Para evitar daños a los cojinetes del motor y rotores ruidosos o desbalanceados, mantenga la unidad de potencia protegida contra rociados de yeso, polvos de construcción, etc.
3. Esta unidad tiene un impulsor sin protección. No lo use en sitios fácilmente accesibles para personas o animales.
4. El ventilador está equipado con un termostato que puede encender automáticamente el ventilador. Para reducir el riesgo de incendio o de descarga eléctrica al dar servicio o limpiar la unidad, interrumpa el suministro eléctrico en el panel de servicio y bloquee el panel de servicio para evitar que se active accidentalmente la electricidad. Cuando no sea posible bloquear los medios de desconexión del servicio, fije firmemente una señal de advertencia (como una etiqueta) en un lugar visible del panel de servicio.
5. El Instituto de Ventilación de la Vivienda (Home Ventilation Institute, HVI) recomienda un pie cuadrado de entrada de aire abierto por 300 pies³/min (8,5 cm³/min) de capacidad del ventilador. La mejor ubicación para estas ventilaciones de admisión de aire es debajo de los aleros con acceso directo al ático. De no suministrar estas entradas se podría ocasionar que se invierta la corriente natural de los electrodomésticos de gas.
6. La instalación de su ventilador para ático creará una abertura con malla en su espacio de ático. Si hubiera una lluvia muy intensa podría provocarse un ligero rociado de la lluvia en este espacio del ático. Esta situación es normal con todos los ventiladores de ático y no provocará daños a la estructura. Le recomendamos que no guarde artículos valiosos directamente debajo de la abertura del ventilador en el techo. Durante lluvia y viento extremos, tal vez quiera encender el ventilador para ático para prevenir que se acumule un exceso de humedad en su ático.
7. Los registros muestran que, bajo condiciones ideales, el acero galvanizado expuesto puede mantenerse libre de corrosión hasta por 100 años. Para tener la mejor protección, la parte expuesta de la hoja del techo debe pintarse, en especial en áreas con una contaminación del aire por ambiente industrial que sea inusualmente alta. Siga las instrucciones del fabricante de la pintura para tener buena adhesión.
8. Esta ventilación está dirigida para instalarse en el techo. El ventilador para montaje en hastial Broan modelo 353 está disponible para aplicaciones de muros laterales.
9. El domo se puede pintar con pintura de alta calidad. Siga las recomendaciones del fabricante de la pintura para el acero con recubrimiento pulverizado.
10. Lea la etiqueta de especificaciones que tiene el producto para ver información y requisitos adicionales.

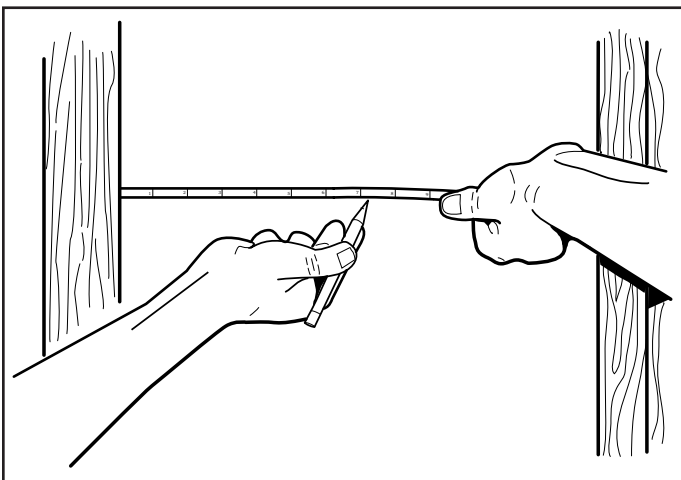
HERRAMIENTAS Y MATERIALES REQUERIDOS

- | | |
|---|---|
| <input type="checkbox"/> Desarmador plano | <input type="checkbox"/> Lápiz |
| <input type="checkbox"/> Taladro | <input type="checkbox"/> Navaja utilitaria |
| <input type="checkbox"/> Broca para taladro de 1/4 pulg. (6.4 mm) | <input type="checkbox"/> Barra de palanca (para quitar los clavos del techo) |
| <input type="checkbox"/> Sierra de vaivén o sierra caladora | <input type="checkbox"/> Cemento para techo |
| <input type="checkbox"/> Martillo | <input type="checkbox"/> Clavos galvanizados para techo de 1¼ pulg. (4.4 cm) mín. |
| <input type="checkbox"/> Regla | <input type="checkbox"/> Suministros eléctricos (para cumplir con los códigos) |

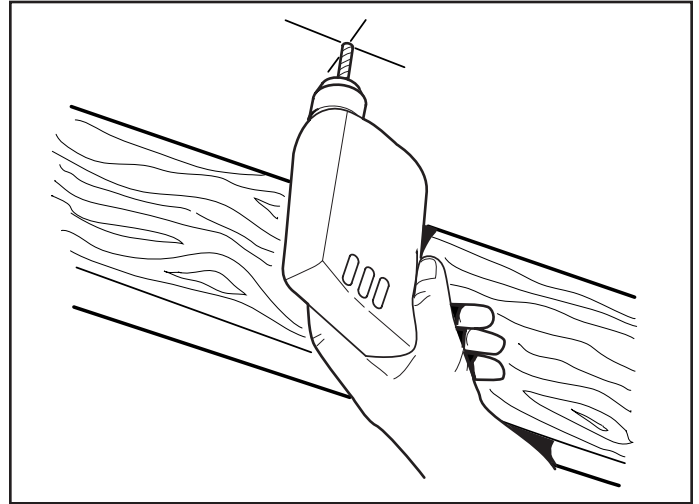
INSTALACIÓN



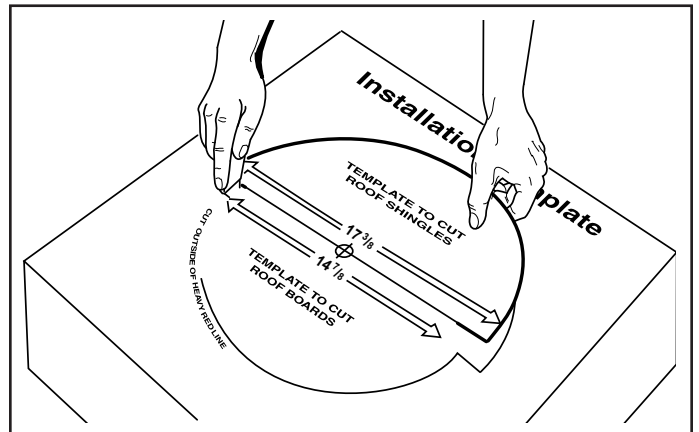
1. Ubique el ventilador en el centro de la pendiente posterior del techo. Colóquelo tan alto en el techo como sea posible. La ubicación debe estar libre de obstáculos (cables de televisión, líneas eléctricas, etc.). Si la parte superior del ventilador está a nivel con el pico del techo, no se puede ver desde la calle. Tome en cuenta esta ubicación aproximada mientras trabaja desde el ático.



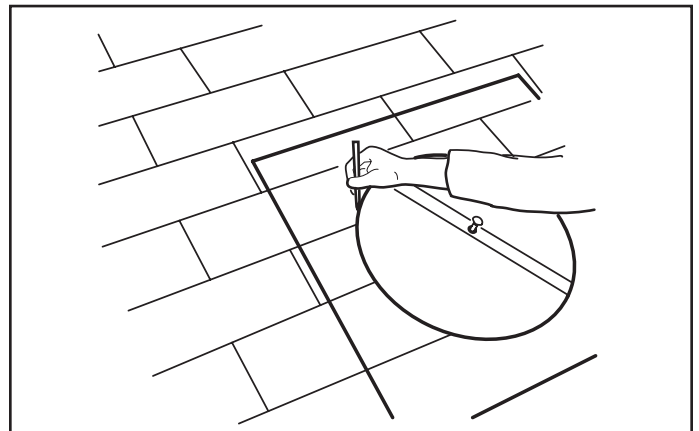
2. Marque un punto a media distancia entre las vigas del techo.



3. Haga un orificio guía a través del techo en esta marca.

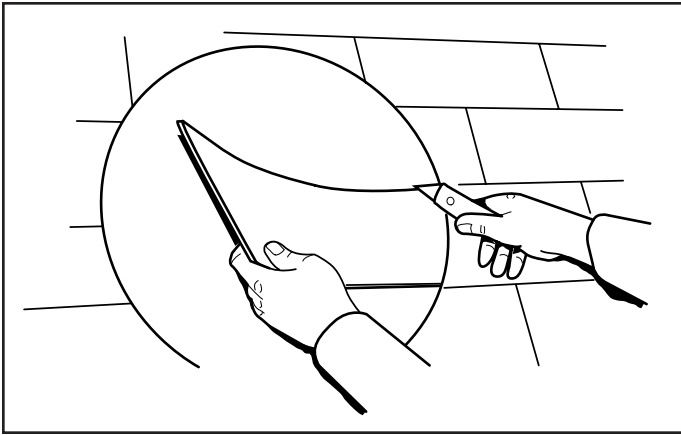


4. Recorte la plantilla que se encuentra en la caja.

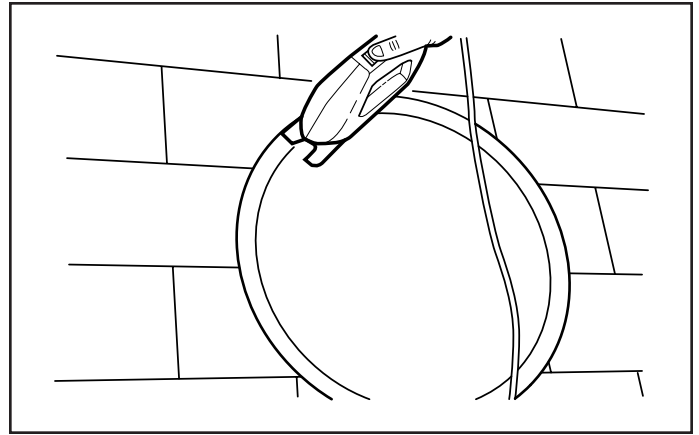


5. Empuje un clavo largo a través del centro de la plantilla de cartón y en el orificio guía.

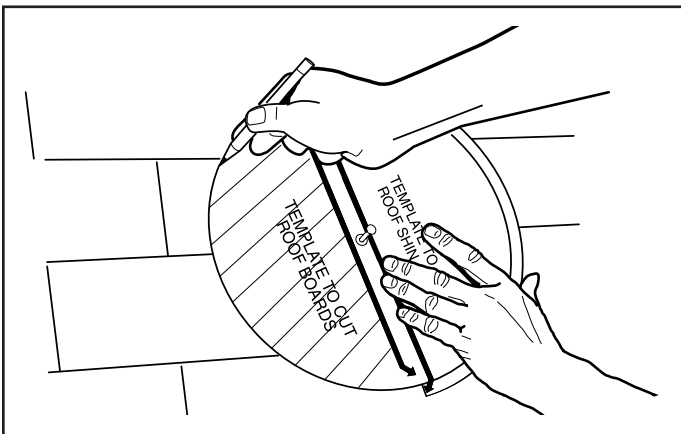
Usando la mitad grande de la plantilla, dibuje un círculo de $17 \frac{3}{8}$ pulg. (43.3 cm) de diámetro en las tejas.



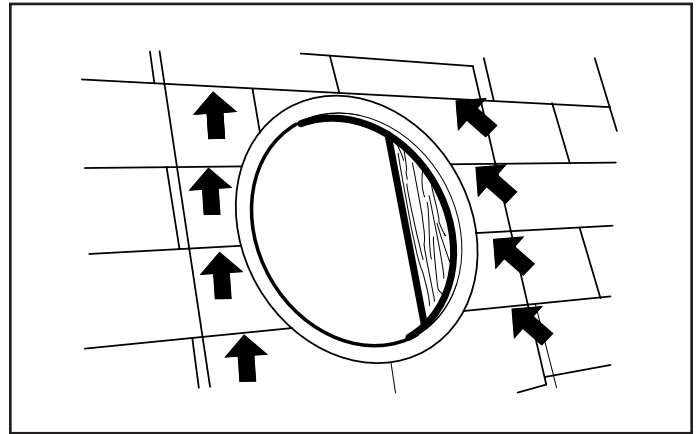
6. Recorte las tejas dentro del círculo.



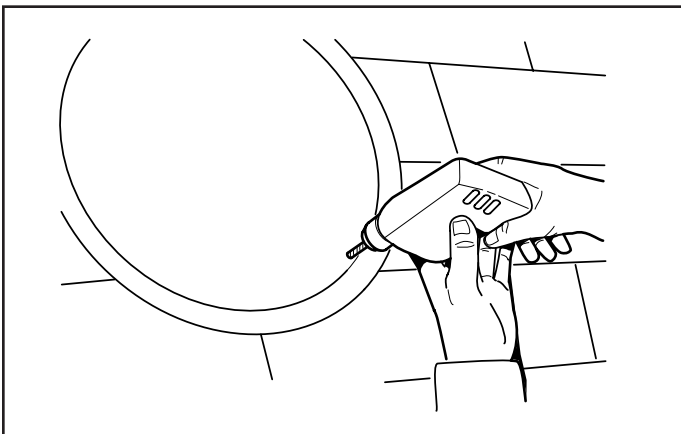
9. Recorte las tablas del techo dentro de la línea. **No corte las vigas.**



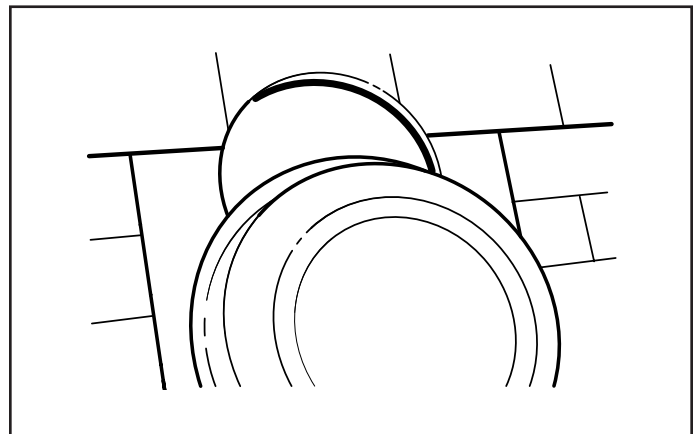
7. Reemplace la plantilla sobre el orificio guía y dibuje un círculo de 14 7/8 pulg. (35.7 cm) de diámetro en el papel negro o las tablas del techo usando la mitad más pequeña de la plantilla.



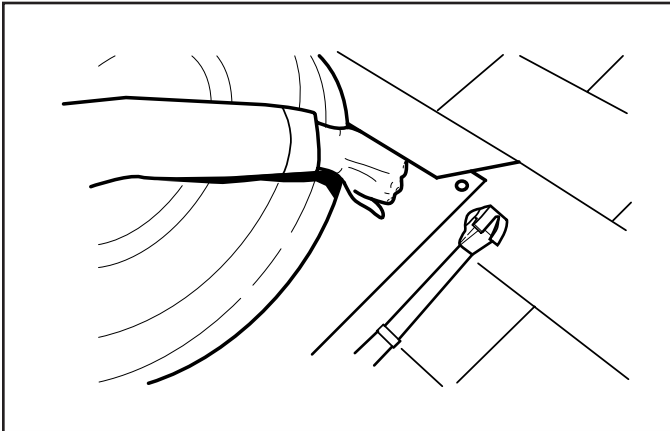
10. Para poder quitar adecuadamente los clavos del techo, dibuje un cuadro de 25 3/8 pulg. (63.6 cm) centrado alrededor del orificio. Retire las tejas que sostienen los clavos desde los dos tercios superiores del cuadro.



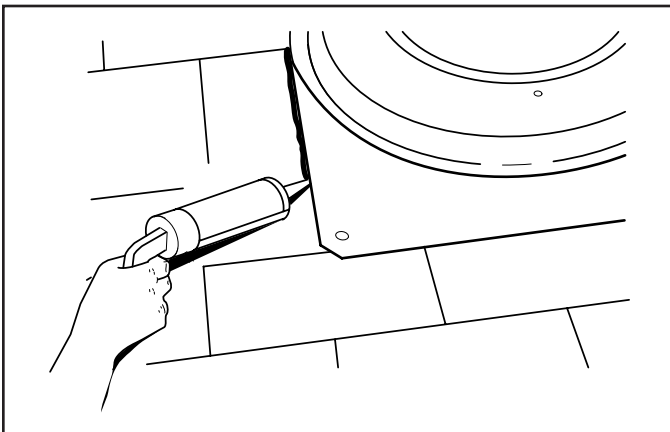
8. Perfore un orificio iniciador grande para la sierra de vaivén, justo dentro de la línea.



11. Deslice el cubrejuntas debajo de las tejas. Inicie a dos tercios desde la parte superior del cuadro de 25 3/8 pulg. (63.6 cm). No doble las tejas más de lo necesario. Centre el ventilador sobre el orificio.



12. Levante con cuidado las tejas y clave el cubrejuntas firmemente al techo usando clavos galvanizados para techo.



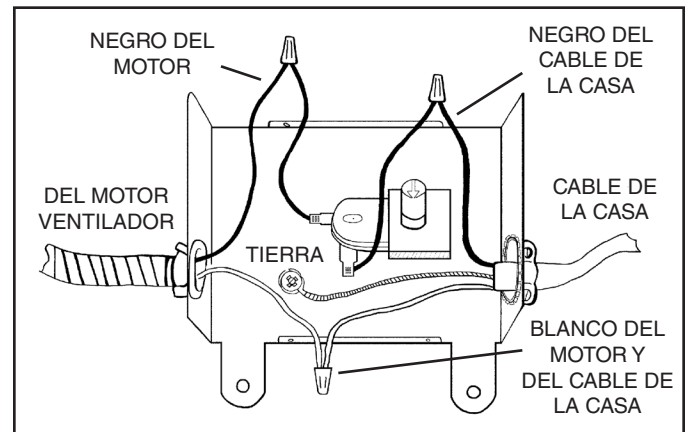
13. Con un buen cemento con grado para techo selle todas las tejas y cabezas de clavos.

NO selle el borde inferior del cubrejuntas.

CABLEADO

IMPORTANTE: No monte la caja de conexiones cerca de la fuente de calor.

1. Monte la caja de conexiones en una viga cercana para que la caja esté más alta que el motor del ventilador.

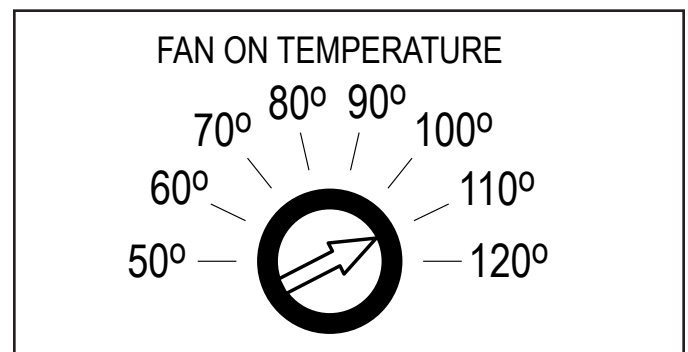


PRECAUCIÓN: Asegúrese de que el ventilador y los interruptores estén bien conectados a tierra y que todo el cableado cumpla con los requisitos del código eléctrico local.

2. Quite la placa de cubierta de la caja de cableado del termostato. Lleve el cable eléctrico de 120 VCA, calibre 14 con tierra de la casa por lo menos a 6 pulg. (15.2 cm) de la caja de cableado del termostato. Sujete el cable a la caja con el conector adecuado.

3. Se puede instalar un interruptor de encendido/apagado en un sitio conveniente del área de estar de la casa, de tal manera que se pueda apagar el ventilador cuando no se necesite.

AJUSTE DEL TERMOSTATO



El termostato del ventilador está preajustado a 110°F (43°C). El ventilador encenderá automáticamente cuando la temperatura ambiente llegue a la temperatura establecida y se detendrá cuando la temperatura quede 10 grados por abajo de la temperatura establecida. La temperatura de arranque se puede ajustar de 60°F a 120°F (16° a 49°C).

PIEZAS DE SERVICIO

CLAVE N.º	PIEZA N.º	DESCRIPCIÓN
1	0705B000	Cubierta
2	0706B000	Motor
3	0707B000	Hoja
4	0711B000	Conjunto del termostato de la caja de conexiones

GARANTÍA

Garantía limitada

Periodo y exclusiones de la garantía: Broan-NuTone LLC (la "Compañía") garantiza al consumidor comprador original de su producto ("usted") que el producto (el "Producto") estará libre de defectos en materiales o en mano de obra, por un periodo de un (1) año a partir de la fecha de compra original.

El periodo de garantía limitada para cualquier pieza de repuesto proporcionada por la compañía y para cualquier Producto reparado o reemplazado bajo esta garantía limitada debe ser lo que reste del periodo de garantía original.

Esta garantía no cubre controles de velocidad, arrancadores de lámparas fluorescentes, tubos, bombillas de halógeno e incandescentes, fusibles, filtros, conductos, tapas de techo, tapas de pared ni otros accesorios que pudieran ser comprados por separado e instalados con el producto. Esta garantía tampoco cubre (a) mantenimiento y servicio normal, (b) uso y desgaste normal, (c) Productos o piezas sujetos a mal uso, abuso, uso anormal, negligencia, accidente, mantenimiento inadecuado o insuficiente, almacenamiento o reparación (que no sea reparación por parte de la Compañía), (d) daños causados por instalación defectuosa, o bien instalación o uso contrario a las recomendaciones o instrucciones, (e) cualquier Producto que se haya movido de su punto de instalación original, (f) daños ocasionados por el medio ambiente o los elementos naturales, (g) daños en tránsito, (h) desgaste natural del acabado, (i) Productos en uso comercial o no residencial, o (j) daños ocasionados por incendio, inundación u otro caso fortuito. Esta garantía cubre solamente Productos vendidos a clientes originales en los Estados Unidos por la Compañía o a distribuidores de EE. UU. autorizados por la Compañía.

Esta garantía sustituye todas las garantías anteriores y no es transferible del comprador consumidor original.

No hay otras garantías: Esta garantía limitada contiene la única obligación de la Compañía y su único recurso ante productos defectuosos. Las garantías anteriores son exclusivas y en lugar de cualquier otra garantía, expresa o implícita. LA COMPAÑÍA NIEGA Y EXCLUYE CUALQUIER OTRA GARANTÍA EXPRESA, Y NIEGA Y EXCLUYE TODAS LAS GARANTÍAS IMPLÍCITAS POR LEY, INCLUYENDO, ENTRE OTRAS, LAS DE COMERCIALIZACIÓN Y APTITUD PARA UN PROPÓSITO EN PARTICULAR. Hasta el grado en que la ley aplicable prohíba la exclusión de las garantías implícitas, la duración de cualquier garantía implícita aplicable está limitada al periodo especificado para la garantía expresa antes mencionada. Algunos estados no permiten limitaciones en la duración de una garantía implícita, así que la limitación anterior tal vez no aplique en su caso. Cualquier descripción verbal o escrita del Producto es para el único propósito de identificarlo y no deberá considerarse como una garantía expresa.

Siempre que sea posible, toda disposición de esta garantía limitada deberá ser interpretada de tal forma que sea efectiva y válida de conformidad con la ley aplicable, pero si alguna disposición fuera considerada prohibida o inválida, quedará sin efecto solo en virtud de dicha prohibición o invalidez, sin invalidar el resto de dicha disposición o las demás disposiciones restantes de la garantía limitada.

Recurso: Durante el periodo de garantía limitada aplicable, la Compañía, a su opción, suministrará piezas de repuesto, o reparará o reemplazará, sin cargo alguno, cualquier Producto o pieza del mismo, hasta el grado en que la Compañía lo encuentre cubierto bajo esta garantía limitada y en incumplimiento de la misma en condiciones normales de uso y servicio. La Compañía le enviará el Producto reparado o reemplazado o las piezas de repuesto sin cargo. Usted es responsable de todos los costos de retiro, reinstalación y envío, seguro u otros cargos de flete incurridos en el envío del Producto o pieza a la Compañía. Si debe enviar el Producto o la pieza a la Compañía, tal como lo indique la Compañía, debe empaquetar adecuadamente el Producto o la pieza: la Compañía no se hace responsable por los daños en tránsito. La Compañía se reserva el derecho de utilizar Productos o piezas reacondicionados, renovados, reparados o refabricados en el proceso de reemplazo o reparación de garantía. Dichos Productos y piezas serán comparables en función y desempeño a un Producto o una pieza original y tendrán garantía durante el resto del periodo de la garantía original.

Exclusión de daños: LA OBLIGACIÓN DE LA COMPAÑÍA DE SUMINISTRAR PIEZAS DE REPUESTO, O DE REPARAR O REEMPLAZAR, A OPCIÓN DE LA COMPAÑÍA, SERÁ SU ÚNICO Y EXCLUSIVO RECURSO BAJO ESTA GARANTÍA LIMITADA, Y LA ÚNICA Y EXCLUSIVA OBLIGACIÓN DE LA COMPAÑÍA. LA COMPAÑÍA NO SERÁ RESPONSABLE POR DAÑOS INCIDENTALES, INDIRECTOS, RESULTANTES O ESPECIALES QUE SURJAN POR EL USO O DESEMPEÑO DEL PRODUCTO, O EN RELACIÓN CON EL MISMO.

Algunos estados no permiten la exclusión o limitación de daños incidentales o resultantes, por lo que la limitación antes mencionada podría no aplicarse a usted. Esta garantía le otorga derechos legales específicos, y usted podría tener otros derechos que varían de un estado a otro.

Esta garantía cubre únicamente el reemplazo o la reparación de Productos defectuosos o piezas de los mismos en la planta principal de la Compañía, y no incluye el costo del viaje para el servicio de campo ni los viáticos.

Cualquier asistencia que proporcione o procure la Compañía para usted fuera de los términos, limitaciones o exclusiones de esta garantía limitada no constituirá una renuncia a dichos términos, limitaciones o exclusiones, ni dicha asistencia extenderá o renovará la garantía.

La Compañía no le reembolsará ningún gasto en el que usted haya incurrido al reparar o reemplazar cualquier Producto defectuoso, excepto los incurridos con el permiso previo por escrito de la Compañía.

Cómo obtener el servicio cubierto por la garantía: Para tener derecho al servicio cubierto por la garantía, usted debe (a) notificar a la Compañía a la dirección o número de teléfono que aparecen abajo en un plazo de siete (7) días después de descubrir el defecto cubierto, (b) proporcionar el número de modelo y la identificación de la pieza y (c) describir la naturaleza de cualquier defecto en el Producto o la pieza. En el momento de solicitar el servicio cubierto por la garantía, debe presentar un comprobante de la fecha de compra original. Si usted no puede presentar una copia de la garantía limitada original por escrito, entonces registrarán los términos de la garantía limitada por escrito más actualizada de la compañía para su producto en particular. Las garantías limitadas por escrito más actualizadas para los productos de la Compañía se pueden encontrar en www.broan.com.

Broan-NuTone LLC 926 West State Street, Hartford, WI 53027 www.broan.com 800-637-1453

