

Cooking enthusiasts and experts alike love the superior performance, refined look, and thoughtful details that set Broan range hoods apart. This canopy range hood's unique, stylish design quickly creates a signature look and focal point in any personalized kitchen.

SIZE	STAINLESS	GREASE FILTERS (replacement)
30"	E6030SSM	SV17606 (8.84" X 15.125") SV17609 (11.84" X 15.125")
36"	E6036SSM	
42"	E6042TSSM	
48"	E6048TSSM	

FEATURES	
Max. Blower CFM†	650 CFM (Single Blower) 1260 CFM (Dual Blower)
Control type	Rotary Switch - 4 Speed Blower
Heat Sentry™	yes
ADA Capable	no
Lighting	2-level LED modules (Qty. 3 included) 3 W per module, color temp 3000 K
Grease Filters	Baffle Filters (Qty. depends on model)
ENERGY STAR®	no
Code Ready Technology	400 CFM (Single Blower) 600 CFM (Dual Blower)

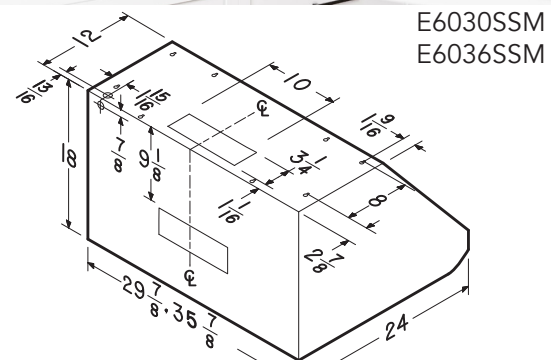
AC INPUT	
120 V, 60 Hz - 3.3 AMPS (Single Blower) 6.5 AMPS (Dual Blower)	

OPTIONAL ACCESSORIES	
Power Cord Kit	HCK44
Transition (4-1/2" x 18-1/2" to 10" round, 6" high - lateral)	Model 427
Transition (4-1/2" x 18-1/2" to 10" round - vertical)	Model 423
Make-up Air Dampers	MD6TU, MD8TU and MD10TU

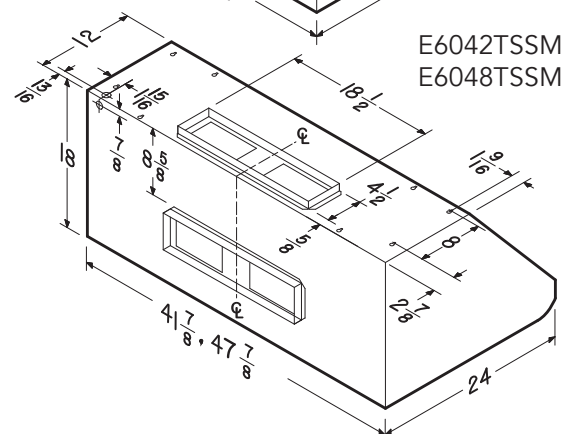
MOUNTING HEIGHT	
Min 24 in. for electrical range Min 30 in. for gas range	

INSTALLATION REQUIREMENTS	
Electrical Connection	Direct Wire or Cord Kit
Duct Size: (Single Blower)	Damper 3-1/4" x 10" (included)
	Damper 8" - round (included)
Duct Size: (Dual Blower)	Adaptor 4-1/2" x 18-1/2" (included)
Duct Direction:	Vertical or Horizontal

LIMITED WARRANTY	
1-year (See website for full warranty text.)	
FOR INDOOR USE ONLY	



E6030SSM  
E6036SSM



E6042TSSM  
E6048TSSM

Dimensions shown in inches.

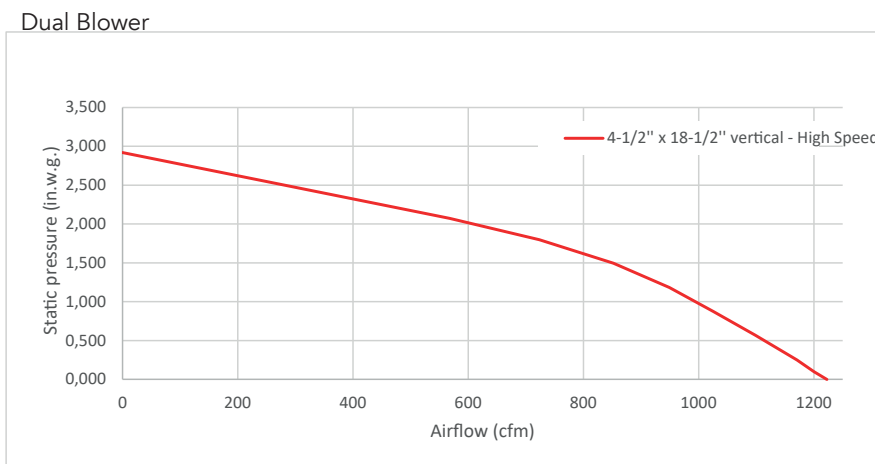
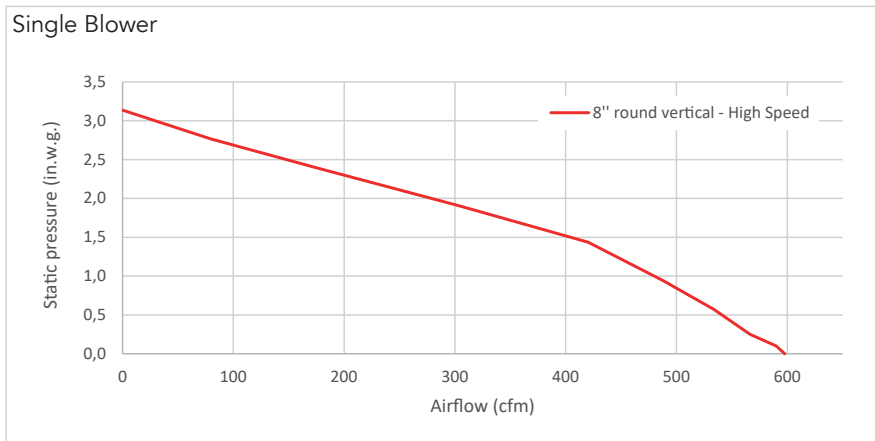
## HVI PERFORMANCE (SINGLE BLOWER)

Models	Duct Size and Orientation	Sones				CFM				
		Low	Med. Low	Med. High	High	Low	Med. Low	Med. High	High 0.25 in. w.g.	High 0.1 in. w.g.
E6030SSM	8" Round - Vertical	<0.3	0.9*	3.0*	10.0	130	190*	300*	560	590
E6036SSM	3-1/4" x 10" - Vertical	<0.3	0.8*	3.0*	9.5	130	180*	290*	550	570
	3-1/4" x 10" - Horizontal	<0.3	0.7*	3.0*	9.5	120	170*	280*	540	560

## HVI PERFORMANCE (DUAL BLOWER)

Models	Duct Size and Orientation	Sones				CFM				
		Low	Med. Low	Med. High	High	Low	Med. Low	Med. High	High 0.25 in. w.g.	High 0.1 in. w.g.
E6042TSSM	4-1/2" x 18-1/2" - Vertical	0.4	1.2*	3.5*	11.5	290	360*	560*	1170	1200
E6048TSSM	4-1/2" x 18-1/2" - Horizontal	0.4	1.3*	4.0*	12.0	280	360*	570*	1150	1180

\* Where noted performance rating is not HVI certified but was established in accordance with HVI Standardized test procedure.



HVI-2100 CERTIFIED RATINGS comply with new testing technologies and procedures prescribed by the Home Ventilating Institute, for off-the-shelf products, as they are available to consumers. Product performance is rated at 0.1 and 0.25 in. static pressure at high speed based on tests conducted in an HVI-approved state-of-the-art test laboratory. Sones are a measure of humanly-perceived loudness, based on laboratory measurements.

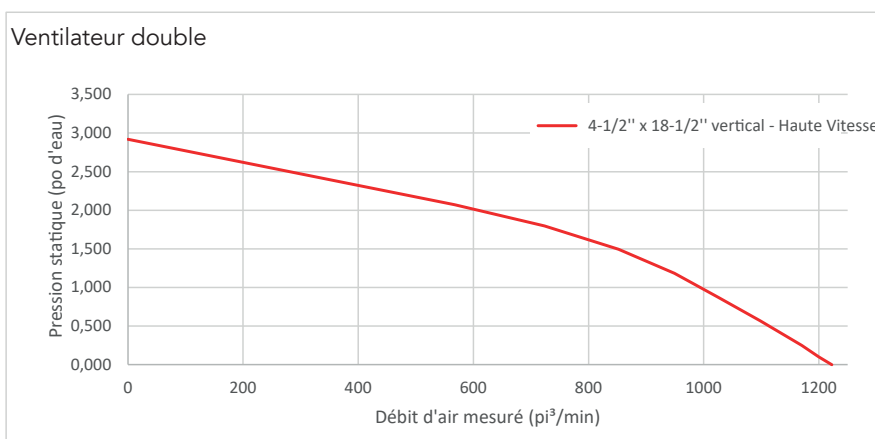
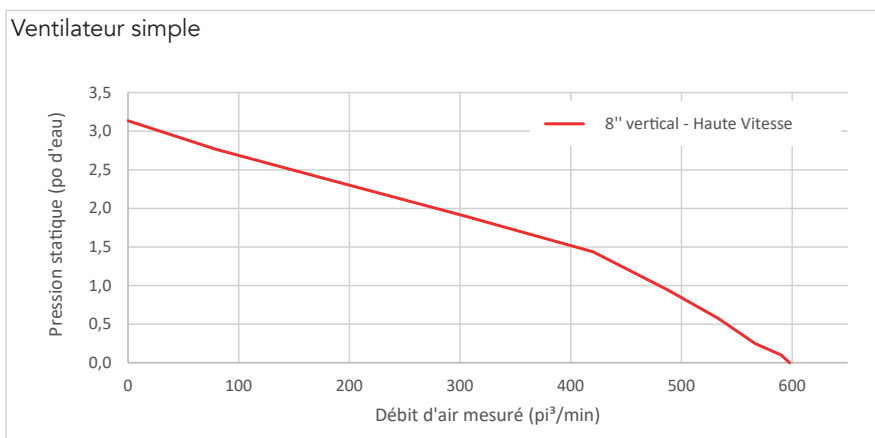


RENDEMENT HVI (VENTILATEUR SIMPLE)										
Modèles	Dimensions du conduit et orientation	Sones				pi <sup>3</sup> /min				
		Basse	Moyenne-Basse	Moyenne-Haute	Haute	Basse	Moyenne-Basse	Moyenne-Haute	Haute 0,25 po d'eau	Haute 0,1 po d'eau
E6030SSM	8 po rond - verticale	<0,3	0,9*	3,0*	10,0	130	190*	300*	560	590
E6036SSM	3-1/4 po x 10 po - verticale	<0,3	0,8*	3,0*	9,5	130	180*	290*	550	570
	3-1/4 po x 10 po - horizontale	<0,3	0,7*	3,0*	9,5	120	170*	280*	540	560

RENDEMENT HVI (VENTILATEUR DOUBLE)										
Modèles	Dimensions du conduit et orientation	Sones				pi <sup>3</sup> /min				
		Basse	Moyenne-Basse	Moyenne-Haute	Haute	Basse	Moyenne-Basse	Moyenne-Haute	Haute 0,25 po d'eau	Haute 0,1 po d'eau
E6042TSSM	4-1/2 po x 18-1/2 po - verticale	0,4	1,2*	3,5*	11,5	290	360*	560*	1170	1200
E6048TSSM	4-1/2 po x 18-1/2 po - horizontale	0,4	1,3*	4,0*	12,0	280	360*	570*	1150	1180

\* Signifie que la donnée n'est pas certifiée par le HVI, mais a été obtenue suivant les procédures de test standardisées du HVI.



L'HOMOLOGATION HVI-2100 est conforme aux nouvelles techniques et procédures d'essai prescrites par le Home Ventilating Institute pour les produits d'emploi courant, dès leur disponibilité pour les consommateurs. Le rendement du produit est évalué à une pression statique de 0,1 po et de 0,25 po, d'après les tests effectués dans un laboratoire d'essai ultra-perfectionné approuvé par le HVI. Le sone est une mesure de la perception humaine de la puissance sonore, d'après des mesures effectuées en laboratoire.