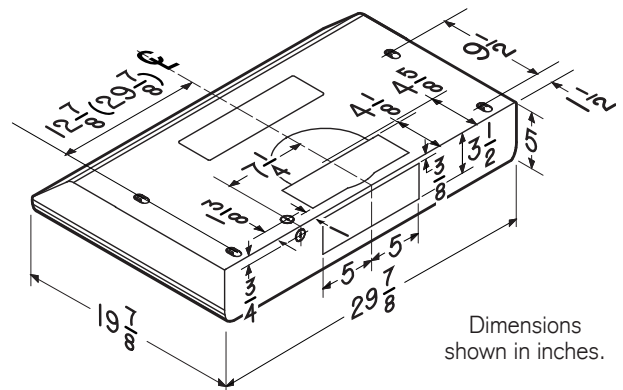


The slim and refined lines of Sahale bring a refreshing change to today's kitchens. Bright ENERGY STAR® certified LED lighting complements your cooking experience and three fan speeds make cooking more enjoyable. The LED modules included with this hood are the latest in LED cooktop illumination technology specially designed to operate in the elevated temperatures of cooking - offering bright lighting and lasting up to 25 times as long as a standard bulb and greater reliability than typical replacement LED bulbs.

SIZE	BLACK	STAINLESS	WHITE	GREASE FILTERS (replacement)	NON-DUCTED FILTERS
30 in.	BKDEG130BL	BKDEG130SS	BKDEG130WW	HPFA3A30 (Type "C3")	HPF30 (Type "Xc")

FEATURES	
Max. Blower CFM †	375
Control type	3-speed Capacitive Touch
Delay off	no
Filter Clean Reminder	yes
Heat Sentry™	no
ADA Capable	yes
Lighting	2-level ENERGY STAR® LED (included)
Grease Filters	Deluxe Micro Mesh (Qty. 2)
Installation Hardware	EZ1 brackets
ENERGY STAR®	yes (no if installed non-ducted)
Recirculation	Non-ducted filters sold separately
AC INPUT	
120 V, 60 Hz - 0.65 AMPS	
OPTIONAL ACCESSORIES	
7-in. Round Damper	BP87Q
ADA Wiring Kit	HAWRK3
Make-up Air Dampers	MD6TU, MD8TU and MD10TU
MOUNTING HEIGHT	
18 in. to 24 in. from cooktop to bottom of hood	
LIMITED WARRANTY	
1-year 3-year (LED modules only) (See installation manual for full warranty text.)	
FOR INDOOR USE ONLY	

† Max. blower CFM indicates the performance of the hood blower in open air and is not HVI certified.

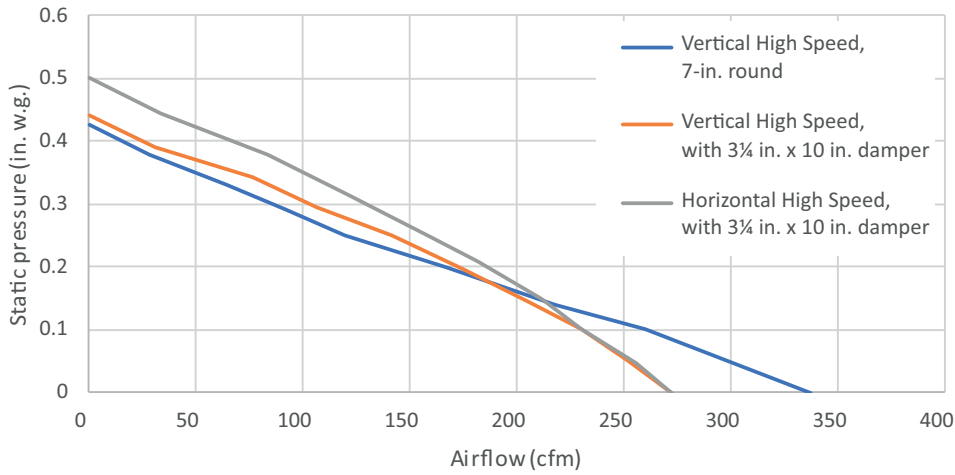


Dimensions shown in inches.

SPECIFICATION SHEET
SAHALE - BKDEG1 SERIES



HVI PERFORMANCE									
Duct Orientation	Size	Damper	Sones			CFM			
			Normal	Medium*	High	Normal	Medium*	High 0.25 in. w.g.	High 0.1 in. w.g.
Vertical - Rectangular	3¼ in. x 10 in.	Included	1.5	3.0	6.0	120	160	140	230
Horizontal - Rectangular	3¼ in. x 10 in.	Included	1.5	3.0	6.5	110	160	150	230
Round - Vertical	7 in.	Sold Separately	1.5	3.0	5.5	130	180	115	260



HVI-2100 CERTIFIED RATINGS comply with new testing technologies and procedures prescribed by the Home Ventilating Institute, for off-the-shelf products, as they are available to consumers. Product performance is rated at 0.1 and 0.25 in. static pressure at high speed based on tests conducted in an HVI-approved state-of-the-art test laboratory. Sones are a measure of humanly-perceived loudness, based on laboratory measurements.

* Where noted performance rating is not HVI certified but was established in accordance with HVI Standardized test procedure.