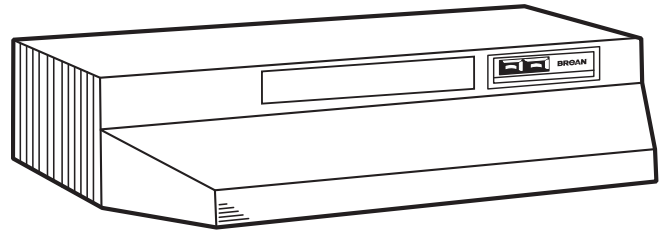


# BROAN®

## 43000 SERIES RANGE HOOD



### READ AND SAVE THESE INSTRUCTIONS

**! INTENDED FOR DOMESTIC COOKING ONLY !**

#### WARNING

**TO REDUCE THE RISK OF FIRE, ELECTRIC SHOCK, OR INJURY TO PERSONS, OBSERVE THE FOLLOWING:**

1. Use this unit only in the manner intended by the manufacturer. If you have questions, contact the manufacturer at the address or telephone number listed in the warranty.
2. Before servicing or cleaning unit, switch power off at service panel and lock service panel to prevent power from being switched on accidentally. When the service disconnecting means cannot be locked, securely fasten a prominent warning device, such as a tag, to the service panel.
3. Installation work and electrical wiring must be done by a qualified person(s) in accordance with all applicable codes and standards.
4. Sufficient air is needed for proper combustion and exhausting of gases through the flue (chimney) of fuel burning equipment to prevent backdrafting. Follow the heating equipment manufacturer's guideline and safety standards such as those published by the National Fire Protection Association (NFPA), and the American Society for Heating, Refrigeration and Air Conditioning Engineers (ASHRAE), and the local code authorities.
5. When cutting or drilling into wall or ceiling, do not damage electrical wiring and other hidden utilities.
6. Ducted fans must always be vented to the outdoors.
7. Do not use this unit with any solid-state speed control device.
8. To reduce the risk of fire, use only metal ductwork.
9. Use with approved cord-connection kit only.
10. This unit must be grounded.

**TO REDUCE THE RISK OF A RANGE TOP GREASE FIRE:**

1. Never leave surface units unattended at high settings. Boilovers cause smoking and greasy spillovers that may ignite. Heat oils slowly on low or medium settings.
2. Always turn hood ON when cooking at high heat or when cooking flaming foods.
3. Clean ventilating fans frequently. Grease should not be allowed to accumulate on fan or filter.
4. Use proper pan size. Always use cookware appropriate for the size of the surface element.

**TO REDUCE THE RISK OF INJURY TO PERSONS IN THE EVENT OF A RANGE TOP GREASE FIRE, OBSERVE THE FOLLOWING:\***

1. SMOTHER FLAMES with a close-fitting lid, cookie sheet, or metal tray, then turn off the burner. BE CAREFUL TO PREVENT BURNS. If the flames do not go out immediately, EVACUATE AND CALL THE FIRE DEPARTMENT.
2. NEVER PICK UP A FLAMING PAN - You may be burned.
3. DO NOT USE WATER, including wet dishcloths or towels - a violent steam explosion will result.
4. Use an extinguisher ONLY if:
  - A. You know you have a Class ABC extinguisher and you already know how to operate it.
  - B. The fire is small and contained in the area where it started.
  - C. The fire department is being called.
  - D. You can fight the fire with your back to an exit.

\*Based on "Kitchen Firesafety Tips" published by NFPA.

#### CAUTION

1. For indoor use only.
2. For general ventilating use only. Do not use to exhaust hazardous or explosive materials and vapors.
3. To avoid motor bearing damage and noisy and/or unbalanced impellers, keep drywall spray, construction dust, etc. off power unit.
4. For best capture of cooking impurities, your range hood should be mounted 20-25" above the cooking surface.
5. Please read specification label on product for further information and requirements.

**IMPORTANT: OBSERVE ALL GOVERNING CODES AND ORDINANCES**

Your range hood has been designed to filter out smoke, odors, and grease which rise from the cooking surface. Before you begin the installation be sure that all parts and accessories are removed from carton. For best results and ease in the installation of this range hood, read the instructions sheet to become familiar with the step-by-step installation.

#### TOOLS AND MATERIALS REQUIRED

- Drill, electric or ratchet drive
- 1/8" drill bit for drilling pilot holes
- 1-1/4" wood bit for drilling electrical wiring access hole
- One common head screwdriver for securing hood mounting screws to the cabinet and hood sheet metal parts
- Pliers for opening knockouts
- Pencil, rule and level for marking cabinet locations
- Saber saw or keyhole saw for cutting the wall or cabinet openings
- Metal snips, duct tape, duct (with elbows and transition, if necessary), roof cement or caulk, and roof or wall cap, as required
- Electrical wiring and supplies of type to comply with local codes

The following materials are required only for installation on recessed bottom kitchen cabinets:

- Two 1" x 2" x 12" (approximate length) wood strips (purchase locally)
- Four 1-1/4" long flat head wood screws (purchase locally)

#### INSTALLER:

LEAVE THIS MANUAL WITH THE HOMEOWNER.

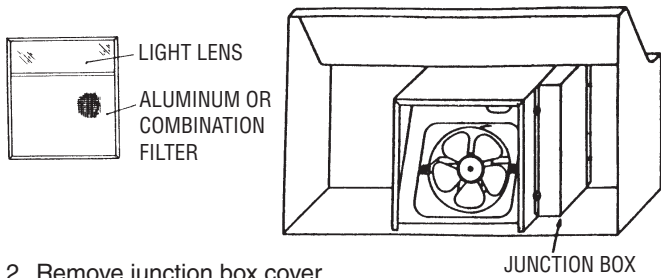
#### HOMEOWNER:

USE AND CARE INSTRUCTIONS ON PAGE 4.

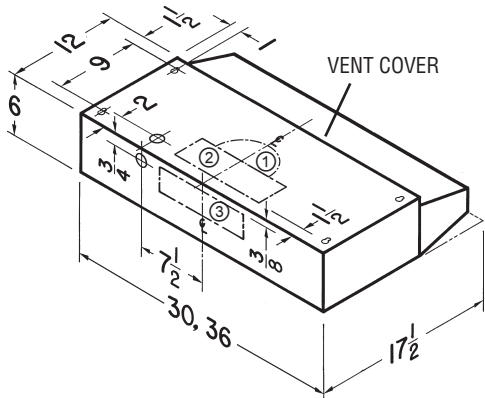
Register your product online at:  
[www.broan-nutone.com/register](http://www.broan-nutone.com/register)

# PREPARING THE HOOD

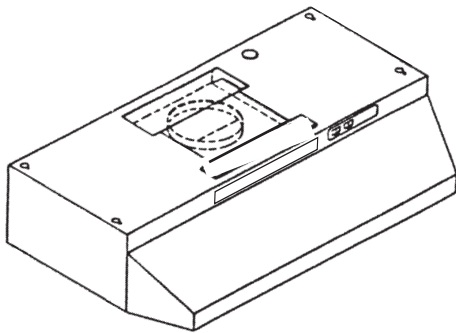
- Unpack hood and check contents. You should receive:
  - 1 – Filter with built-in light lens
  - 1 – 3-1/4" x 10" damper/duct connector
  - 1 – Installation parts bag



- Remove junction box cover.
- Remove top or rear electrical knockout.
- Select one of the three types of venting available:
  - Non-Vented** — Remove vent cover from hood front. Replace the aluminum filter with a non-ducted filter (BP57 or R610050 - purchase separately). Go to "Preparing the Installation Location".



**Rectangular Vented** — 3-1/4" x 10" vertical or horizontal. Remove knockout #② for vertical or knockout #③ for horizontal venting. Install damper/duct connector over opening. Go to "Planning Ductwork Installation".

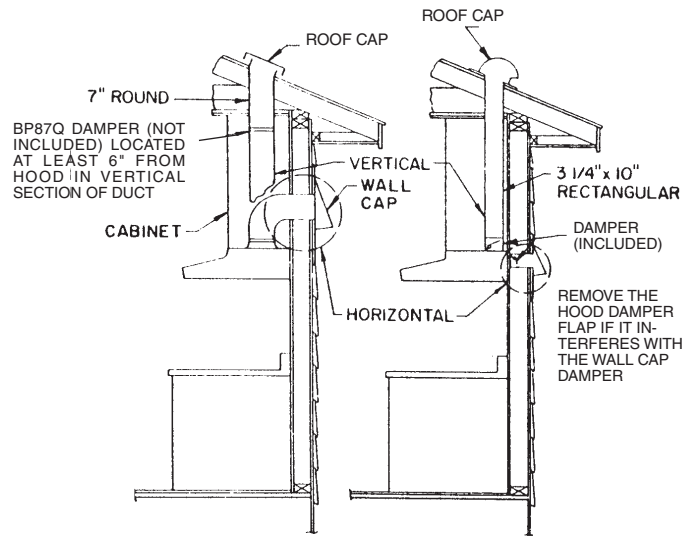


**Round Vented** — 7" vertical. Remove knockouts #① and #② exposing duct collar. Go to "Planning Ductwork Installation".

# PLANNING DUCTWORK INSTALLATION

This section for vented hoods only. Non-vented hoods skip this section and go on to "Preparing the Installation Location".

Begin planning ductwork by deciding where duct will run between hood and outside. For best performance, use shortest possible duct run and a minimum number of elbows. There are several choices.



7" ROUND DUCT VENTING

3 1/4" x 10" RECTANGULAR VENTING

Ducting directly through the wall (for range hoods mounted on an exterior wall). Shown are two ways to duct through an outside wall. If a wall cap is used directly off the back of the hood, special care must be taken to make sure that the damper in the damper/duct connector on the hood and damper in the wall cap do not interfere with each other when the hood is operating. This could result in either inadequate air delivery or back drafts. If this condition does exist, remove the hood damper flap. Sometimes when using a wall cap, it is easier to duct vertically and then use an elbow.

Ducting straight up through roof using 3-1/4" x 10" or 7" round duct. For single story installations.

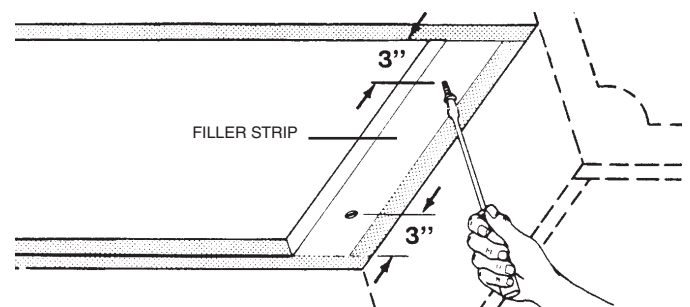
Ducting between ceiling joists for multi-story installations or through soffits above cabinets where soffit connects to outside walls.

# PREPARING THE INSTALLATION LOCATION

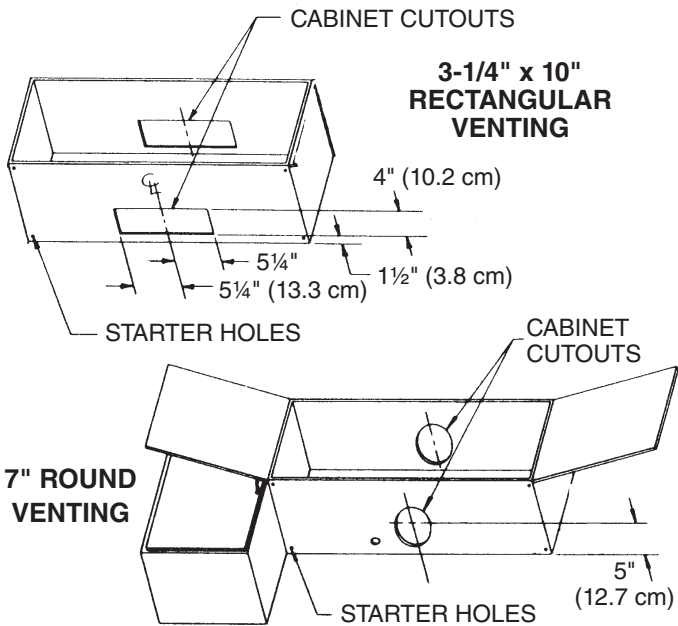
**NOTE:** MOUNT HOOD SO THAT BOTTOM OF HOOD IS 20" TO 25" ABOVE COOKING SURFACE. TOP FRONT OF HOOD SHOULD BE FLUSH WITH FRONT OF CABINET FRAME.

IF DISTANCE BETWEEN WALL AND FRONT OF CABINET FRAME IS MORE THAN 12", THERE WILL BE A SPACE BETWEEN BACK OF HOOD AND WALL. THIS IS NORMAL.

OMIT STEP 1 IF HOOD WILL BE INSTALLED UNDER CABINETS WITH FLUSH BOTTOM.

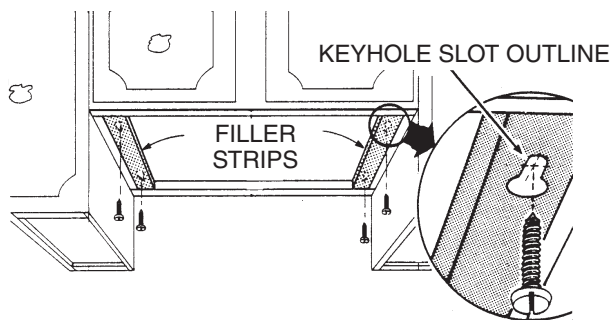


- For cabinets with recessed bottoms only: Install wood filler strips on each side of recessed area under cabinet. Use two 1" x 2" strips cut to length (use thicker strips if necessary). Fasten strips with wood screws about 3" in from each end.
- Measure and mark the following:
  - Electrical wiring opening in wall or cabinet.
  - Duct opening in wall or cabinet (vented hoods **only**).



**WARNING: WHEN CUTTING OR DRILLING INTO WALL OR CABINET, BE CAREFUL NOT TO CUT EXISTING ELECTRICAL WIRING.**

3. Drill 1-1/4" electrical wiring opening in wall or cabinet bottom.
4. Drill four pilot holes in corners of marked duct opening and cut opening with saber or keyhole saw (vented hoods **only**).
5. Hold hood up against cabinet bottom and trace keyhole slots onto cabinet bottom or filler strips.



6. Screw the four supplied screws for mounting the hood into the exact center of the narrow end of the keyhole slots marked underneath the cabinet. Allow 3/8" of the screws to project, so the hood can be fitted into place.

## INSTALLING THE DUCTWORK

THESE INSTRUCTIONS ARE FOR VENTED HOODS ONLY. NON-VENTED HOODS SKIP THIS SECTION AND GO ON TO "INSTALLING THE RANGE HOOD".

START AT THE EXTERIOR AND RUN DUCTWORK BACK TO THE RANGE HOOD.

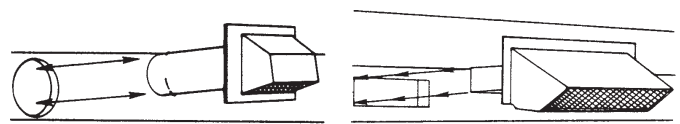
FOR BEST PERFORMANCE OF YOUR RANGE HOOD, USE THE SHORTEST POSSIBLE DUCT RUN AND A MINIMUM NUMBER OF ELBOWS.

NEVER VENT A RANGE HOOD INTO AN ATTIC SPACE BECAUSE A BUILDUP OF GREASE WILL BECOME A FIRE HAZARD.

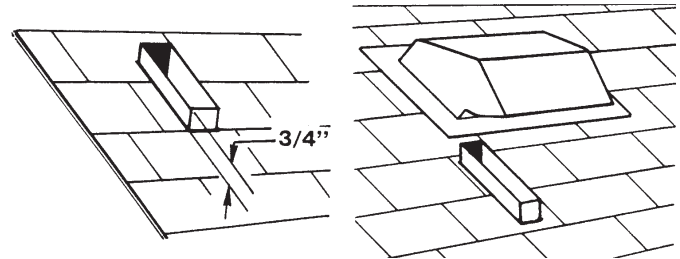
USE ONLY METAL DUCTWORK (DO NOT USE PLASTIC DUCT). ASSEMBLE SECURELY SO THAT IN CASE OF A GREASE FIRE ON THE RANGE, THE FIRE WILL BE CONTAINED INSIDE METAL DUCTWORK.

IT IS A GOOD PRACTICE TO TAPE ALL DUCT CONNECTIONS, MAKING THEM BOTH SECURE AND AIR TIGHT.

1. Follow appropriate directions below for type of ductwork you are installing.



**Wall Cap Discharge:** Use saber saw or keyhole saw to cut hole slightly larger than duct size used so that duct will line up easily with damper/duct connector on hood. Install casing strips if cap will be installed on siding. Attach required amount of duct to wall cap and run duct back to hood. Fasten cap to wall and caulk well. Make sure that enough duct runs into the room so that the duct will overlap the damper/duct connector when the hood is installed.



**Roof Cap Discharge:** Cut a hole in roof slightly larger than duct size being used. Trim shingles around hole so that they will fit snugly around hood of cap when cap is installed. Assemble the ductwork and tape all joints. Run ductwork down to hood location. Make sure that enough duct runs into the room so that the duct will overlap damper/duct connector when hood is put into place. Leave 3/4" of duct projecting above roof surface on high side.

Trim duct parallel to roof pitch and seal all around duct with roof cement.

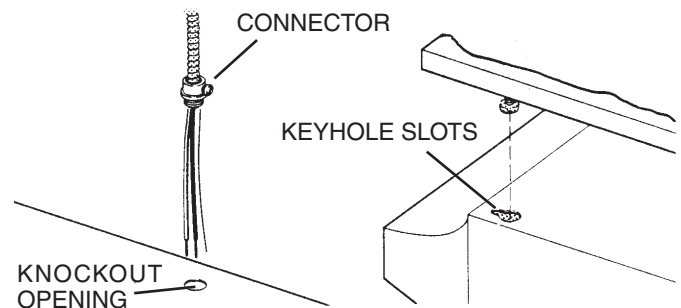
Carefully trim shingles and slide back of roof sheet under shingles. Nail roof sheet to roof under shingles at top two corners and two sides. Nail sheet directly to roof in four places at bottom.

Using roof cement, seal all nail heads and shingles which were cut or lifted. Do not seal bottom edge of roof sheet.

## INSTALLING RANGE HOOD

**WARNING: TURN OFF THE PROPER CIRCUIT AT THE SERVICE ENTRANCE BEFORE WIRING THIS RANGE HOOD.**

1. Check baffle for correct venting. (Non-vented or outside vented)



2. Run electric wiring through hole drilled in wall or cabinet. Split wiring for 6" and install proper connector for type of wire used.
3. Position hood so that:
  - a.) Wiring is routed through knockout opening.
  - b.) Large part of keyhole slots fit over hood mounting screws.
  - c.) Damper/duct connector slides into ductwork (3-1/4" x 10" vented hoods **only**)
4. Adjust hood so that hood front is flush with cabinet frame.
5. Tighten hood mounting screws firmly.

**WARNING: ALL ELECTRICAL CONNECTIONS MUST BE MADE IN ACCORDANCE WITH LOCAL CODES, ORDINANCES, OR NATIONAL ELECTRICAL CODE. IF YOU ARE UNFAMILIAR WITH METHODS OF INSTALLING ELECTRICAL WIRING, SECURE THE SERVICES OF A QUALIFIED ELECTRICIAN.**

- Complete electrical wiring in junction box following required codes and replace junction box. Make sure that all wiring is safely contained inside.
- Install LED light bulb (A19, 15 Watts maximum, E26 base).
- If the hood is vented, remove charcoal pad from filter. Install filter.
- Turn on power and check operation of fan and light. Make sure that damper operates freely.

## USE AND CARE

### ALUMINUM FILTER

For greatest efficiency, the permanent-type aluminum filter should be removed and cleaned periodically. To clean, the filter should be soaked in hot water and detergent and thoroughly rinsed. The aluminum filter can be cleaned in a dishwasher.

### COMBINATION FILTER

This filter should be inspected periodically and when it becomes saturated, it should be replaced. There are no effective means of reactivating this filter.

### LIGHTS

Do not use LED bulb larger than 15 Watts in light socket.

### CARE OF EXTERIOR SURFACES

Clean your hood with a mild detergent suitable for painted surfaces. **DO NOT USE ABRASIVE CLOTH, STEEL WOOL PADS OR SCOURING POWDERS.**

**WARNING: ALWAYS DISCONNECT ELECTRIC POWER BEFORE SERVICING RANGE HOOD.**

### CARE OF FAN MOTOR

Fan motor has lifetime sealed bearings that never need oiling under normal usage. A few drops on each bearing after three years of heavy usage will prolong the motor life. Clean motor with a damp cloth and grease-cutting detergent when a heavy coating of grease has accumulated.

### HOW TO AVOID A COMMON RANGE-TOP GREASE FIRE

Your range hood provides a protective barrier between the cooking surface and the cabinets.

Keep fan, filters, and grease-laden surfaces **CLEAN** according to the instructions.

Always turn hood **ON** when cooking at high heat to keep the cooking area and the hood cooler.

Use high heat settings only when necessary.

Never leave cooking surface unattended. Boil-over causes smoking and greasy spillovers that may ignite.

Always use adequate-sized utensils.

If preparing flaming foods, such as Cherries Jubilee, always turn hood **ON** to **HIGH** to prevent a high heat situation which can cause damage or fire.

### HOW TO EXTINGUISH A COMMON RANGE-TOP GREASE FIRE

Never pick up a flaming pan. If dropped flames can spread quickly.

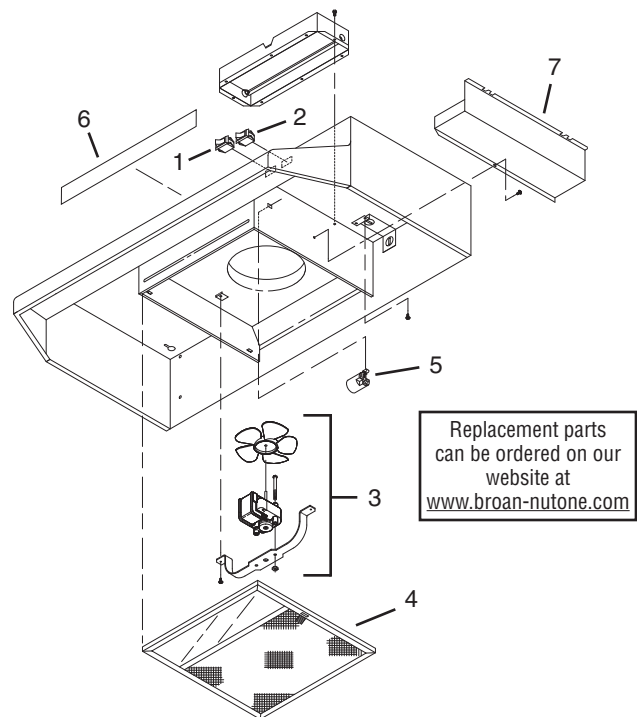
**DO NOT USE WATER!** A violent steam explosion may result. Wet dishcloths or towels are also dangerous.

Smother flames with a close-fitting lid, cookie sheet or metal tray.

Flaming grease can also be extinguished with baking soda or a multi-purpose dry chemical extinguisher.

Turn off surface units – if you can do so without getting burned.

## REPLACEMENT PARTS



Key No.	Part No.	Description	
1	97016971	Fan Switch – White (Includes Light Switch)	
	97016972	Fan Switch – Almond (Includes Light Switch)	
	97016970	Fan Switch – Black (Includes Light Switch)	
	97016973	Fan Switch – Biscuit (Includes Light Switch)	
2	97016971	Light Switch – White (Includes Fan Switch)	
	97016972	Light Switch – Almond (Includes Fan Switch)	
	97016970	Light Switch – Black (Includes Fan Switch)	
	97016973	Light Switch – Biscuit (Includes Fan Switch)	
3	R730088	Motor/Blade Assembly	
4	R610045	Filter - Aluminum (use with ducted hoods only)	
	R610050	Filter – Ductless	
	R610051	Filter Pads – Ductless	
5	R566088	Lampholder	
6	99091020	Vent Cover - White	
	99091021	Vent Cover - Almond	
	99091022	Vent Cover - Black	
	99091027	Vent Cover - Biscuit	
	7	R6689601	Wiring Cover - White
		R6689602	Wiring Cover - Almond
		R6689604	Wiring Cover - Black
R6689605		Wiring Cover - Biscuit	

\* Not shown. Purchase separately.

## WARRANTY

**BROAN-NUTONE ONE YEAR LIMITED WARRANTY**

Broan-NuTone warrants to the original consumer purchaser of its products that such products will be free from defects in materials or workmanship for a period of one year from the date of original purchase. THERE ARE NO OTHER WARRANTIES, EXPRESS OR IMPLIED, INCLUDING, BUT NOT LIMITED TO, IMPLIED WARRANTIES OF MERCHANTABILITY OR FITNESS FOR A PARTICULAR PURPOSE.

During this one-year period, Broan-NuTone will, at its option, repair or replace, without charge, any product or part which is found to be defective under normal use and service.

THIS WARRANTY DOES NOT EXTEND TO FLUORESCENT LAMP STARTERS, TUBES, HALOGEN AND INCANDESCENT BULBS, FUSES, FILTERS, DUCTS, ROOF CAPS, WALL CAPS AND OTHER ACCESSORIES FOR DUCTING. This warranty does not cover (a) normal maintenance and service or (b) any products or parts which have been subject to misuse, negligence, accident, improper maintenance or repair (other than by Broan-NuTone), faulty installation or installation contrary to recommended installation instructions.

The duration of any implied warranty is limited to the one-year period as specified for the express warranty. Some states do not allow limitation on how long an implied warranty lasts, so the above limitation may not apply to you.

BROAN-NUTONE'S OBLIGATION TO REPAIR OR REPLACE, AT BROAN-NUTONE'S OPTION, SHALL BE THE PURCHASER'S SOLE AND EXCLUSIVE REMEDY UNDER THIS WARRANTY. BROAN-NUTONE SHALL NOT BE LIABLE FOR INCIDENTAL, CONSEQUENTIAL OR SPECIAL DAMAGES ARISING OUT OF OR IN CONNECTION WITH PRODUCT USE OR PERFORMANCE. Some states do not allow the exclusion or limitation of incidental or consequential damages, so the above limitation or exclusion may not apply to you.

This warranty gives you specific legal rights, and you may also have other rights, which vary from state to state. This warranty supersedes all prior warranties.

To qualify for warranty service, you must (a) notify Broan-NuTone at the address or telephone number below, (b) give the model number and part identification and (c) describe the nature of any defect in the product or part. At the time of requesting warranty service, you must present evidence of the original purchase date.

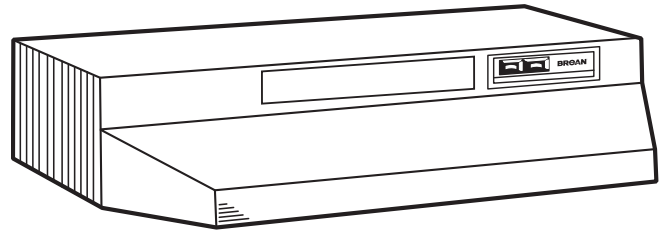
Broan-NuTone LLC, 926 West State Street, Hartford, Wisconsin USA 53027 www.broan-nutone.com 800-558-1711



# BROAN®

## SERIE 43000

### CAMPANA DE EXTRACTORA



## LEA Y CONSERVE ESTAS INSTRUCCIONES

**! PREVISTO PARA COCINAR DOMÉSTICO SOLAMENTE. !**

### ADVERTENCIA

**PARA REDUCIR EL RIESGO DE INCENDIO, CHOQUE ELECTRICO, O LESION A PERSONAS, PROCURE LO SIGUIENTE:**

1. Utilice esta unidad sólo en la manera prescrita por el fabricante. Si tiene usted alguna pregunta, comuníquese con el fabricante a la dirección o el teléfono indicados en la garantía.
2. Antes de efectuar algún servicio o limpieza, se debe desconectar la corriente eléctrica en el armario de circuitos y asegurarlo con llave para evitar que la corriente sea conectada accidentalmente. Cuando el dispositivo para desconectar el servicio eléctrico no puede ser cerrado con algún tipo de traba, sujete fuertemente al panel de servicio, una etiqueta de advertencia prominente.
3. Todo trabajo de instalación y cableado eléctrico debe ser realizado por personal calificado y de acuerdo con todos los códigos y normas pertinentes, incluyendo los códigos y normas relacionados con construcción clasificada para incendio.
4. Aire suficiente es necesario para facilitar la combustión adecuada y la salida apropiada de gases por la chimenea de la unidad y para evitar corrientes de aire invertidas. Siga las instrucciones y medidas de seguridad del fabricante del equipo y de las sociedades profesionales de equipos de calentadores y los reglamentos de seguridad locales.
5. A cortar o perforar la pared o el techo, no dañe el cableado eléctrico u otros servicios públicos ocultos a la vista.
6. Los abanicos con ducto deberán siempre tener una salida hacia el exterior.
7. No utilice esta unidad en conjunto con cualquier dispositivo de control de velocidad de estado sólido.
8. Para reducir el riesgo de incendio, use sólo ductos de metal.
9. Uso con el kit aprobado de la conexión de la cuerda solamente.
10. Esta unidad se debe instalar con tierra efectiva.

**PARA REDUCIR EL RIESGO DE INCENDIO DEBIDO A GRASA ACUMULADA EN LAS HORNILLAS:**

1. Nunca deje sin atender las unidades de superficie cuando tengan ajustes altos. Los reboses pueden provocar humo y derrames grasos que se pueden incendiar. Caliente lentamente el aceite en un ajuste bajo o medio.
2. Siempre ENCIENDA la campana cuando cocine con alta temperatura o cuando cocine alimentos que se puedan incendiar.
3. Limpie con frecuencia los ventiladores. No debe permitir que la grasa se acumule en el ventilador ni en el filtro.
4. Utilice un sartén de tamaño adecuado. Siempre utilice el utensilio adecuado al tamaño del elemento de superficie.

**PARA REDUCIR EL RIESGO DE LESION A PERSONAS RESULTADO DE UN INCENDIO DEBIDO A GRASA ACUMULADA EN LAS HORNILLAS, PROCURE LO SIGUIENTE:\***

1. AHOGUE LAS LLAMAS con una tapa ajustada o charola de metal, después apague la hornilla. TENGA CUIDADO A FIN DE EVITAR QUEMADURAS. Si las llamas no se apagan de inmediato, EVACUE Y AVISE A LOS BOMBEROS.
2. NO LEVANTE NUNCA UNA SARTEN QUE ESTE EN LLAMAS - Usted se podrá quemar.
3. NO UTILICE AGUA, incluyendo toallas de cocina mojadas - puede resultar una explosión de vapor violenta.
4. Utilice un extinguidor SOLAMENTE si:
  - A. Usted sabe que tiene un extinguidor de clase ABC y lo sabe utilizar.
  - B. El incendio es pequeño y contenido dentro del área donde se inició.
  - C. Los bomberos han sido avisados.
  - D. Usted puede combatir el incendio con una salida a su espalda.

\* Basado en las recomendaciones para "Seguridad en la Cocina" publicadas por la NFPA de los EEUU.

### PRECAUCION

1. Para el uso de interior solamente.
2. Solamente para uso general de ventilación. No utilice para descargar materiales o vapores riesgosos o explosivos.
3. Para evitar daños al motor y evitar que las navajas del abanico emitan mucho ruido o estén fuera de balance, mantenga el motor libre de pelusa, polvo, etc.
4. Para obtener mejores resultados en la captura de los vapores de la estufa, el extractor debe montarse a entre 20" y 25" (50.8 y 63.5 cm) sobre las hornillas de la estufa.
5. Por favor lea la etiqueta con las especificaciones del equipo para otros requisitos y mayor información.

**IMPORTANTE: OBSERVE TODOS LOS CODIGOS Y REGULACIONES VIGENTES.**

Su campana de cocina ha sido diseñada para sacar el humo, los olores, y la grasa que salen de la superficie donde se cocina. Antes de comenzar la instalación asegúrese que ha sacado del cartón todas la piezas y aditamentos. Para obtener mejores resultados y facilitar la instalación de la campana, lea la hoja de instrucciones a fin de familiarizarse con la instalación paso a paso.

### HERRAMIENTAS Y MATERIALES QUE SE NECESITAN

- Taladro, eléctrico o accionado por trinquete
- Broca de 1/8" (3.175 mm) para taladrar agujeros pilotos
- Broca para madera de 1/4" (31.75 mm) para taladrar el orificio de acceso
- Un destornillador de cabeza común para asegurar los tornillos de montaje de la campana al mueble y las piezas de chapa metálica
- Alicates para sacar los discos removibles
- Lápiz, regla y nivel para marcar el mueble
- Sierra sable o de calar para cortar la pared o hacer agujeros en el mueble
- Tijeras de hojalatero, cinta para ducto, ducto (con codos y transiciones si las necesita), cenento para techos o masilla y tapatechos o tapapared, según sea necesario
- Alambre y materiales eléctricos del tipo requerido por los códigos locales

Los materiales siguientes se necesitan solamente para la instalación de muebles de cocina empotrados en la parte inferior

- Dos 1" x 2" x 12" (25 x 50 x 305 mm) tiras de madera (largo aproximado) (cómprelos localmente)
- Cuatro tornillos de cabeza plana para madera de 1/4" (3.2 mm) de largo (cómprelos localmente)

**INSTALADOR:** DEJE ESTE MANUAL CON EL USUARIO.

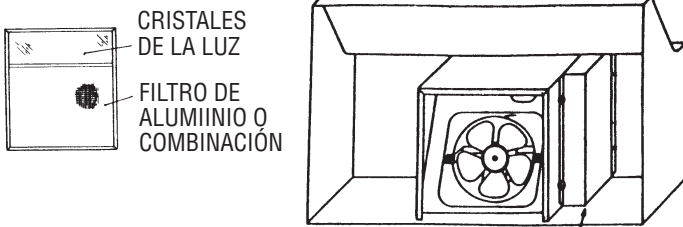
**USUARIO:** INSTRUCCIONES PARA EL USO Y CUIDADO EN LA PAGINA 8.

Registre su producto en línea en:  
[www.broan-nutone.com/register](http://www.broan-nutone.com/register)

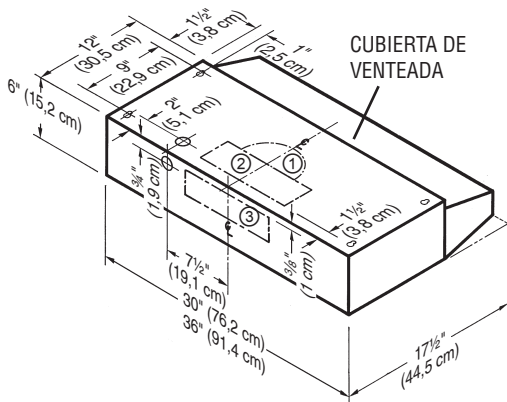
## PREPARACION DE LA CAMPANA

1. Desempaque la campana y verifique el contenido. Ud debe recibir:

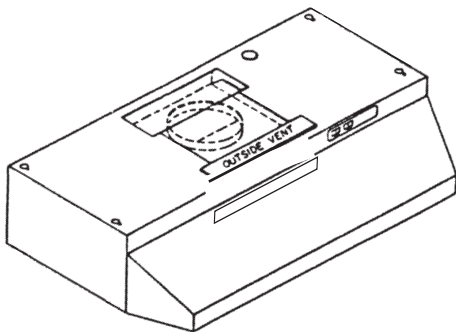
- 1 – Filtro con cristales de luz empotrados
- 1 – Conector registro/ducto de 3/4" x 10" (83 x 25.4 cm)
- 1 – Bolsita con piezas para la instalación



2. Quite la tapa de la caja de empalmes.
3. Saque el disco removible del tope o de la parte de atrás.
4. Seleccione uno de los tres tipos de ventilación que se ofrecen:
  - Sin Ventilación** - Saque la cubierta de venteadada. Reemplace el filtro de aluminio con filtro sin ducto (BP57 o R610050 compre por separado). Pase a la sección "Como Preparar el Sitio de la Instalación".



**Ventilación Rectangular** - Vertical ó horizontal de 3/4" x 10" (8.3 x 25.4 cm). Saque el disco #② si es la ventilación vertical o el #③ si es horizontal. Instale el conector para registro/ducto sobre la abertura. Invierta el deflector de la posición sin ventilación hacia afuera. Pase a "Como Planear la Instalación del Ducto".

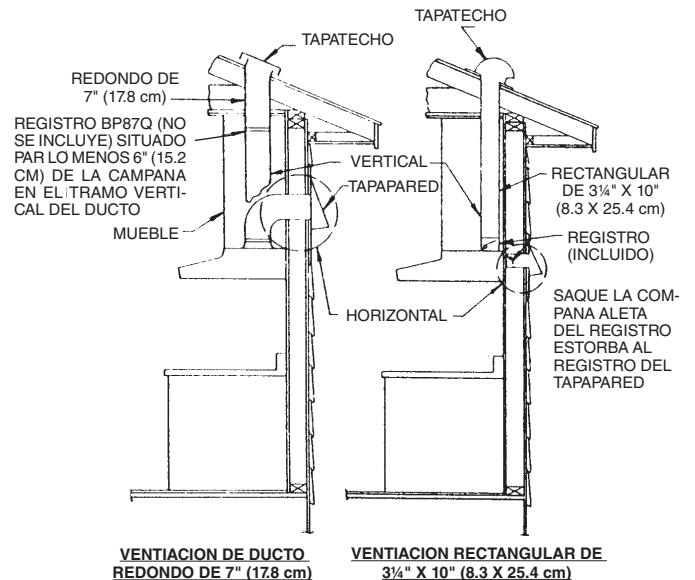


**Ventilación Redonda** - Vertical de 7" (17.8 cm). Saque los discos #① y #② para exponer el collar de ducto. Pase a "Como Planear la Instalación del Ducto".

## COMO PLANEAR LA INSTALACION DEL DUCTO

Esta sección es solamente para campanas venteadas. Para las campanas sin ventilación omitase esta sección y pase a "Como Preparar el Sitio de la Instalación".

Empiece los planes para el ducto decidiendo por donde va a correr el ducto entre la campana y el exterior. Pare mejores resultados use la vía más corta posible y el menor número de codos. Hay varias posibilidades.



El ducto directo a través de la pared (para campanas de cocina montadas en una pared exterior). Se muestran dos maneras de instalar el ducto a través de una pared exterior. Si se usa un tapapared directamente por detrás de la campana, debe tenerse mucho cuidado en que el registro en el conector registro/ducto de la campana y el registro en el tapapared no se interfieran entre si cuando funciona la campana. Esto podría resultar en inadecuado movimiento de aire o contratiros. Cuando exista esta condición quite la aleta del registro de la campana. Algunas veces cuando se usa un tapapared es más fácil correr el ducto verticalmente y luego usar un codo.

Ducto derecho a través del techo usando ducto redondo de 3/4" x 10" (8.3 x 25.4 cm) ó de 7" (17.8 cm). Para instalaciones de un solo piso.

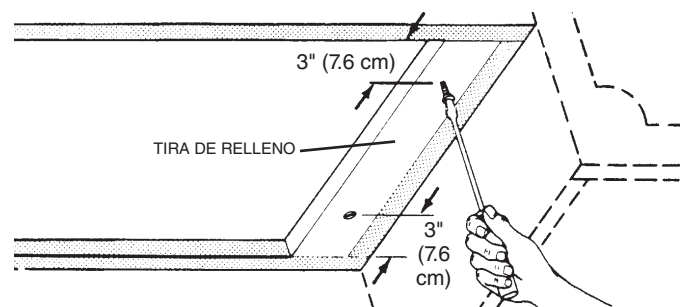
Ductos entre los montantes del techo en instalaciones de varios pisos o a través de cielos rasos sobre muebles donde el cielo raso está conectado a las paredes exteriores.

## PREPARACION DEL SITIO DE LA INSTALACION

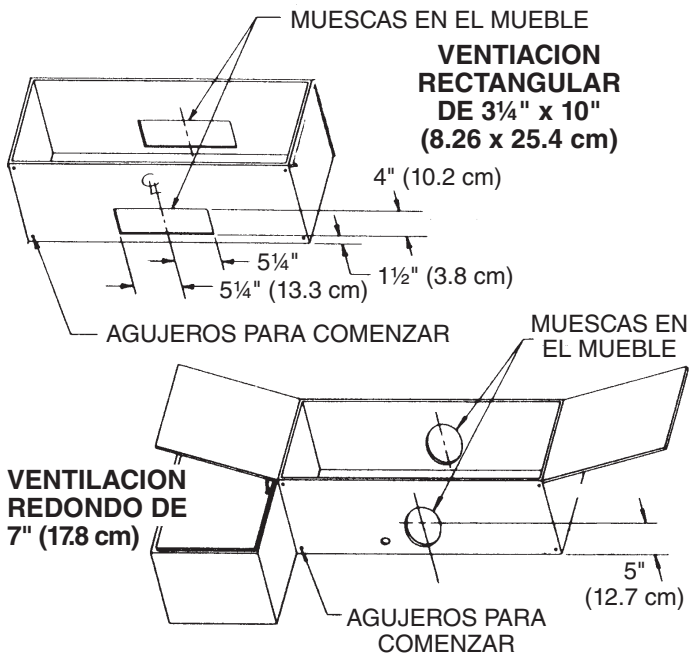
**NOTA: MONTE LA CAMPANA PARA QUE SU PARTE INFERIOR QUEDE DE 20" (50.8 cm) A 25" (63.5 cm) SOBRE LA SUPERFICIE DONDE SE COCINA. EL TOPE FRONTAL DE LA CAMPANA DEBE ESTAR A RAS CON EL MARCO DELANTERO DE MUEBLE.**

**SI LA DISTANCIA ENTRE LA PARED Y EL FRENTE DEL MARCO DEL MUEBLE ES MAS DE 12" (30.5 cm) QUEDARA UN ESPACIO ENTRE LA PARTE TRASERA DE LA CAMPANA Y LA PARED. ESTO ES NORMAL.**

**OMITASE EL PASO 1 SI SE VA A INSTALAR DEBAJO DE MUEBLES CON FONDO AL RAS.**



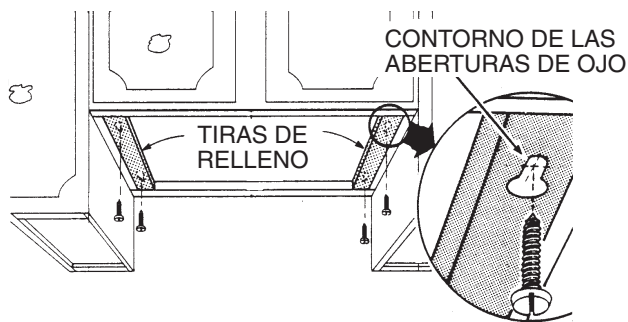
1. Solamente para muebles con fondos empotrados: Instale tiras de relleno de madera a cada lado del área empotrada debajo del mueble. Use dos 1" x 2" (2.54 x 5.08 cm) tiras cortadas a lo largo (use tiras más gruesas si es necesario). Asegure las tiras con tornillos para madera como 3" (7.62 cm) desde cada extremo.



- Mida y marque lo siguiente:
  - La abertura para el alambrado eléctrico en la pared o mueble.
  - Abertura para el ducto en la pared o mueble (campanas con ventilación solamente).

**ADVERTENCIA: CUANDO CORTE O TALADRE LA PARED O EL MUEBLE TENGA CUIDADO DE NO CORTAR LOS ALAMBRES ELECTRICOS INSTALADOS.**

- Taladre el agujero para el alambrado eléctrico en la pared o el fondo del mueble.
- Taladre cuatro agujeros pilotos en las esquinas de agujero del ducto marcado y haga el corte con una sierra sable o de calar (campanas con ventilación solamente).
- Sostenga la campana contra el fondo del mueble y trace las aberturas de ojo en el fondo del mueble o en las tiras de relleno.



- Atornille los cuatro tornillos que se proveen para montar la campana en el centro mismo del extremo estrecho de las aberturas de ojo marcadas debajo del mueble. Deje que los tornillos sobresalgan 3/8" (10 mm) para que la campana pueda encajar bien en su lugar.

## INSTALACION DE LOS DUCTOS

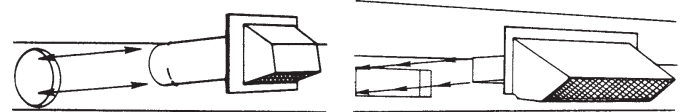
ESTAS INSTRUCCIONES SON SOLAMENTE PARA CAMPANAS CON VENTILACION. PARA CAMPANAS SIN VENTILACION OMITA ESTA SECCION Y VAYA A "INSTALACION DE LA CAMPANA DE COCINA". COMIENCE AFUERA E INSTALE EL DUCTO HACIA LA CAMPANA. PARA OBTENER EL MEJOR RENDIMIENTO DE LA CAMPANA EMPLEE EL DUCTO MAS CORTO POSIBLE Y UN NUMERO MINIMO DE CODOS.

**NUNCA VENTEE UNA CAMPANA DE COCINA EN EL ATICO O DESVAN PORQUE LA ACUMULACION DE GRASA CREARA EL PELIGRO DE INCENDIO.**

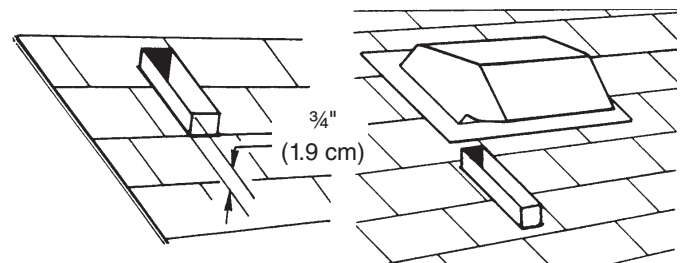
**EMPLEE UNICAMENTE DUCTOS DE ACERO (NO DE PLASTICO). ASEGUE BIEN EL ENSAMBLAJE PARA QUE EN CASO DE PRODUCIRSE INCENDIO DEBIDO A LA GRASA, EL FUEGO QUEDARA CONTENIDO DENTRO DEL DUCTO ACERO.**

**ES UNA BUENA PRACTICA CUBRIR TODAS LA CONEXIONES DE DUCTO CON CINTA PARA HACERLAS SEGURAS Y HERMETICAS.**

- Siga las direcciones apropiadas que se dan abajo para el tipo de ducto que va a instalar.



**Descarga por la Tapapared:** Use una sierra de sable o de calar para cortar un agujero ligeramente más grande que el tamaño del ducto empleado a fin de que el ducto quede bien alineado con el conector de registro/ducto de la campana. Instale tiras contramarco si la tapa va a instalarse en las tablas de la pared. Conecte la longitud requerida de ducto a la tapapared y corra el ducto hacia la campana. Asegure la tapa a la pared y calafatee bien. Asegúrese que suficiente ducto entra en el cuarto para que recubra el conector del registro/ducto cuando se instale la campana.



**Descarga por la Tapatecho:** Corte un agujero en el techo ligeramente más grande que el tamaño del ducto empleado. Recorte las tejas alrededor del agujero para que encajen perfectamente alrededor de la tapa cuando se la instale. Arme los ductos y cubra con cinta todas las juntas. Corra el ducto hacia abajo al sitio donde está la campana. Asegúrese que suficiente ducto entra en el cuarto para que recubra el conector del registro/ducto cuando se instale la campana en su lugar. Haga que 3/4" (1.9 cm) de ducto sobresalga por arriba de la superficie del techo en el lado alto.

Recorte el ducto paralelamente a la inclinación del techo y selle bien alrededor del ducto con cemento para techos.

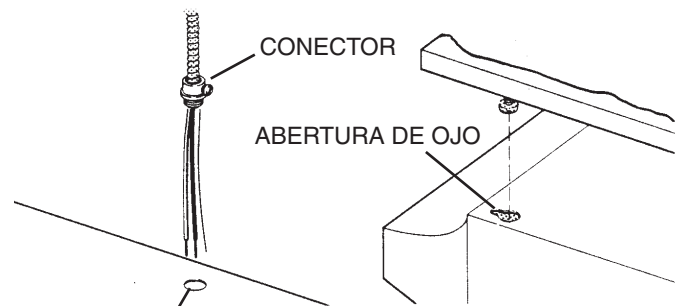
Con cuidado recorte las tejas y deslice la hoja de techo por debajo de las tejas en el tope de dos esquinas y dos lados. Clave la hoja directamente al techo en cuatro lugares en la parte inferior.

Emplee cemento para techos y selle todas las cabezas de clavos y las tejas recortadas o levantadas. No selle el borde inferior de la hoja de techo.

## INSTALACION DE LA CAMPANA DE COCINA

**ADVERTENCIA: DESCONECTE EL CIRCUITO CORRESPONDIENTE EN LA ENTRADA DEL SERVICIO ELECTRICO ANTES DE ALAMBRAR ESTA CAMPANA DE COCINA.**

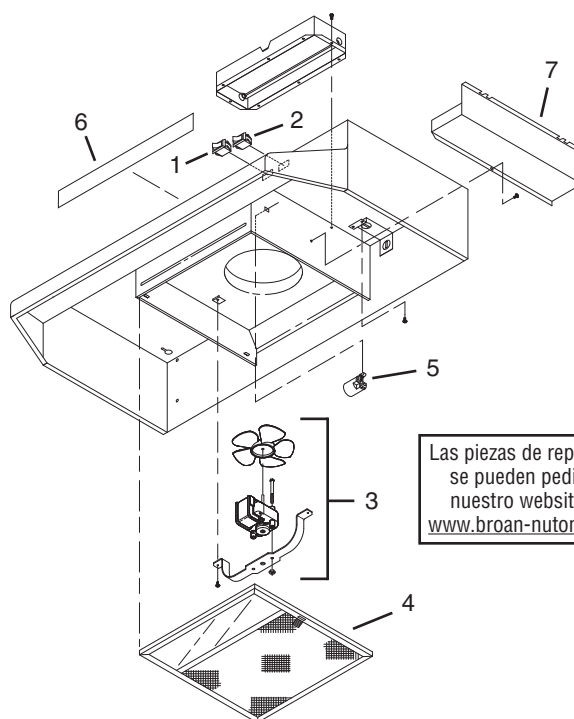
- Vea que el deflector está venteado correctamente (sin ventilación o de venteo al exterior).



- Corra el cable eléctrico por el agujero taladrado en la pared o el mueble. Separe los alambres para 6" (15.2 cm) e instale el conector apropiado al tipo de alambre que emplea.



## LISTA DE REPUESTOS



Clave N°	Pieza N°	Descripción
1	97016971	Interruptor de Ventilador – Blanco (incluye interruptor de la luz)
	97016972	Interruptor de Ventilador – Almendra (incluye interruptor de la luz)
	97016970	Interruptor de Ventilador – Negro (incluye interruptor de la luz)
	97016973	Interruptor de Ventilador – Beige (incluye interruptor de la luz)
2	97016971	Interruptor de la Luz – Blanco (incluye interruptor de ventilador)
	97016972	Interruptor de la Luz – Almendra (incluye interruptor de ventilador)
	97016970	Interruptor de la Luz – Negro (incluye interruptor de ventilador)
	97016973	Interruptor de la Luz – Beige (incluye interruptor de ventilador)
3	R730088	Conjunto de Motor/Aspa
4	R610045	Filtro de Aluminio (uso con extractor ducto solamente)
	* R610050	Filtro - Sin Ducto
	* R610051	Tacos de Filtro – Sin Ducto
5	R566088	Portafoco
6	99091020	Cubierta de Venteada - Blanco
	99091021	Cubierta de Venteada - Almendra
	99091022	Cubierta de Venteada - Negro
	99091027	Cubierta de Venteada - Beige
	7	R6689601
	R6689602	Cubierta para la Conexión Eléctrica - Almendra
	R6689604	Cubierta para la Conexión Eléctrica - Negro
	R6689605	Cubierta para la Conexión Eléctrica - Beige

\* No ilustrado. Compre por separado.

## GARANTIA

**GARANTIA BROAN-NUTONE LIMITADA POR UN AÑO**

Broan-NuTone garantiza al consumidor comprador original de sus productos que dichos productos carecerán de defectos en materiales o en mano de obra por un periodo de un año a partir de la fecha original de compra. NO EXISTEN OTRAS GARANTÍAS, EXPLÍCITAS O IMPLÍCITAS, INCLUYENDO, PERO NO LIMITADAS A, GARANTÍAS IMPLÍCITAS DE COMERCIALIZACIÓN O APTITUD PARA UN PROPOSITO PARTICULAR.

Durante el periodo de un año, y a su propio criterio, Broan-NuTone reparará o reemplazará, sin costo alguno cualquier producto o pieza que se encuentre defectuosa bajo condiciones normales de servicio y uso.

LA PRESENTE GARANTÍA NO CUBRE LOS TUBOS FLUORESCENTES NI SUS ARRANCADORES, BOMBILLAS DE HALÓGENO E INCANDESCENTES, FUSIBLES, FILTROS, CONDUCTOS, TAPONES DE TECHO O PAREDES Y DEMAS ACCESORIOS PARA CONDUCTOS. Esta garantía no cubre (a) mantenimiento y servicio normales o (b) cualquier producto o piezas que hayan sido utilizadas de forma errónea, negligente, que hayan causado un accidente, o que hayan sido reparadas o mantenidas inapropiadamente (por otras compañías que no sean Broan-NuTone), instalación defectuosa, o instalación contraria a las instrucciones de instalación recomendadas.

La duración de cualquier garantía implícita se limita a un periodo de un año como se especifica en la garantía expresa. Algunos estados no permiten limitaciones en cuanto al tiempo de expiración de una garantía implícita, por lo que la limitación antes mencionada puede no aplicarse a usted.

LA OBLIGACION DE BROAN-NUTONE DE REPARAR O REEMPLAZAR, SIGUIENDO EL CRITERIO DE BROAN-NUTONE, DEBERA SER EL ÚNICO Y EXCLUSIVO RECURSO LEGAL DEL COMPRADOR BAJO ESTA GARANTIA. BROAN-NUTONE NO SERA RESPONSABLE POR DAÑOS INCIDENTALES, CONSECUENTES, O POR DAÑOS ESPECIALES QUE SURJAN A RAIZ DEL USO O DESEMPEÑO DEL PRODUCTO. Algunos estados no permiten la exclusión o limitación de daños incidentales o consecuentes, por lo que la limitación antes mencionada puede no aplicarse a usted.

Esta garantía le proporciona derechos legales específicos, y usted puede también tener otros derechos, los cuales varían de estado a estado. Esta garantía reemplaza todas las garantías anteriores.

Para calificar en la garantía de servicio, usted debe (a) notificar a Broan-NuTone al domicilio o al número de teléfono que se menciona abajo, (b) dar el número del modelo y la identificación de la pieza, y (c) describir la naturaleza de cualquier defecto en el producto o pieza. En el momento de solicitar servicio cubierto por la garantía, usted debe de presentar evidencia de la fecha original de compra. Broan-NuTone LLC, 926 West State Street, Hartford, Wisconsin USA 53027 www.broan-nutone.com 800-558-1711

626850

99043005L

- Coloque la campana de tal manera que:
  - Los alambres pasen por la abertura del agujero ciego.
  - La mayor parte de las aberturas de ojo caben sobre los tornillos de montaje de la campana.
  - El conector de registro/ducto se desliza dentro del ducto (campanas con ventilación de 3¼" x 10" (8.25 x 25.4 cm) **solamente**).
- Coloque la campana para que su frente quede a ras con el marco del mueble.
- Apriete bien los tornillos de montaje de la campana.

**ADVERTENCIA: TODAS LAS CONEXIONES ELECTRICAS DEBEN HACERSE EN CONFORMIDAD CON LOS CODIGOS Y REGULACIONES LOCALES O EL CODIGO ELECTRICO NACIONAL. SI UD. NO ESTA FAMILIARIZADO CON LOS METODOS DE INSTALACION DEL ALAMBRADO ELECTRICO, CONTRATE LOS SERVICIOS DE UN ELECTRICISTA CALIFICADO.**

- Complete el alambrado eléctrico en la caja de derivaciones de acuerdo con los códigos vigentes y reemplace la caja. Asegúrese que todos los alambres están dentro de la caja.
- Instale un foco LED (A19, 15 vatios máximo, base E26).
- Si la campana lleva ventilación, quite el taco de carbón del filtro. Instale el filtro.
- Conecte la electricidad y observe el funcionamiento del ventilador y la luz. Asegúrese que el registro funciona libremente.

## USO Y CUIDADO

### FILTRO DE ALUMINIO

Para mayor eficiencia el filtro de aluminio permanente deberá sacarse y limpiarse periódicamente. Para limpiar el filtro debe remojarlo en agua caliente con detergente y lavarse completamente. El filtro de aluminio puede lavarse en la lavadora de platos.

### FILTRO COMBINACION

Este filtro debe examinarse periódicamente y cuando llega a saturarse debe reemplazarse. No hay una manera efectiva de reactivar este filtro.

### LUCES

No emplee un foco DEL de más de 15 vatios en un portafoco liviano.

### CUIDADO DE LAS SUPERFICIES EXTERIORS

Limpie su campana utilizando un detergente suave recomendado para superficies pintadas. NO USE TELAS ABRASIVAS, TACOS DE LANA DE ACERO O POLVOS PARA FREGAR.

**ADVERTENCIA: SIEMPRE DESCONECTE LA ELECTRICIDAD ANTE DE HACER SERVICIO EN LA CAMPANA DE COCINA.**

### CUIDADO DEL MOTOR DEL VENTILADOR

El motor del ventilador lleva cojinetes sellados permanentes que no requieren aceite bajo uso normal. Unas pocas gotas en cada cojinete después de tres años de trabajo pesado alargarán la vida del motor. Limpie el motor con un trapo húmedo y detergente quitagrasa cuando vea que se ha acumulado una densa capa de grasa.

### COMO EVITAR QUE OCURRA UN INCENDIO DEBIDO A LA GRASA QUE SE ACUMULA EN UN EXTRACTOR COMUN

- Su extractor proporciona una barrera protectora entre la superficie para cocinar y los gabinetes.
- Mantenga el abanico, los filtros y las superficies donde se acumula la grasa LIMPIAS conforme a las instrucciones.
- ENCIENDA siempre el extractor cuando esté cocinando a fuego alto para mantener el area para cocinar y el extractor limpios.
- Utilice las hornillas de fuego alto solamente cuando sea necesario.
- No deje las hornillas de la estufa sin atención cuando esté cocinando. El vapor o el aceite que salpique puede ocasionar un incendio o acumulación de humo.
- Siempre utilice los utensilios del tamaño adecuado.
- Si está preparando alimentos flameados, como las Cerezas a la Jubilee, ENCIENDA siempre el extractor en ALTO para evitar que el calor pueda causar algún daño o un incendio.

### COMO EXTINGUIR UN INCENDIO EN UN EXTRACTOR COMUN

- No levante nunca una sartén que esté en llamas. Si se le cae, las llamas se pueden extender rápidamente.
- ¡NO UTILICE AGUA PARA APAGARLO! Puede ocasionar una explosión de vapor. Las toallas de cocina mojadas también son peligrosas.
- Ahogue las llamas con una tapa ajustada o una charola.
- Las llamas provocadas por la grasa también se pueden apagar con bicarbonato de sodio o un extinguidor químico.
- Apague las hornillas - si puede hacerlo sin quemarse.