

## READ AND SAVE THESE INSTRUCTIONS

### WARNING

#### TO REDUCE THE RISK OF FIRE, ELECTRIC SHOCK, OR INJURY TO PERSONS, OBSERVE THE FOLLOWING:

1. Use this unit only in the manner intended by the manufacturer. If you have questions, contact the manufacturer at the address or telephone number listed in the warranty.
2. Before servicing or cleaning unit, switch power off at service panel and lock the service disconnecting means to prevent power from being switched on accidentally. When the service disconnecting means cannot be locked, securely fasten a prominent warning device, such as a tag, to the service panel.
3. Installation work and electrical wiring must be done by a qualified person(s) in accordance with all applicable codes and standards, including fire-rated construction codes and standards.
4. Sufficient air is needed for proper combustion and exhausting of gases through the flue (chimney) of fuel burning equipment to prevent backdrafting. Follow the heating equipment manufacturer's guideline and safety standards such as those published by the National Fire Protection Association (NFPA), and the American Society for Heating, Refrigeration and Air Conditioning Engineers (ASHRAE), and the local code authorities.
5. When cutting or drilling into wall or ceiling, do not damage electrical wiring and other hidden utilities.
6. Ducted fans must always be vented to the outdoors.
7. Acceptable for use over a tub or shower when connected to a GFCI (Ground Fault Circuit Interrupter) - protected branch circuit (ceiling installation only).
8. This unit must be grounded.
9. When applicable local regulations comprise more restrictive installation and/or certification requirements, the aforementioned requirements prevail on those of this document and the installer agrees to conform to these at his own expenses.
10. When performing installation, servicing or cleaning this unit, it is recommended to wear safety glasses and gloves.

### CAUTION

1. For general ventilating use only. Do not use to exhaust hazardous or explosive materials and vapors.
2. This product is designed for installation in ceilings up to a 12/12 pitch (45 degree angle). Duct connector must point up. DO NOT MOUNT THIS PRODUCT IN A WALL.
3. To avoid motor bearing damage and noisy and/or unbalanced impellers, keep drywall spray, construction dust, etc. off power unit.
4. Please read specification label on product for further information and requirements.

## CLEANING & MAINTENANCE

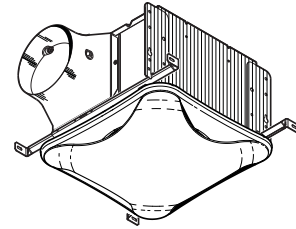
For quiet and efficient operation, long life, and attractive appearance - lower or remove grille and vacuum interior of unit with the dusting brush attachment.

The motor is permanently lubricated and never needs oiling. If the motor bearings are making excessive or unusual noises, replace the blower assembly (includes motor and impeller).

## OPERATION

Use an on/off switch to operate this ventilator. See "Connect Wiring" for details.

Register your product online at: [www.nutone.ca](http://www.nutone.ca)



## WARRANTY

### Limited Warranty

**Warranty Period and Exclusions:** Broan-NuTone Canada (the "Company") warrants to the original consumer purchaser of its product ("you") that the product (the "Product") will be free from material defects in the Product or its workmanship for a period of three (3) years from the date of original purchase.

The limited warranty period for any replacement parts provided by the Company and for any Products repaired or replaced under this limited warranty shall be the remainder of the original warranty period.

This warranty does not cover speed controls, fluorescent lamp starters, tubes, halogen and incandescent bulbs, fuses, filters, ducts, roof caps, wall caps and other accessories for ducting that may be purchased separately and installed with the Product. This warranty also does not cover (a) normal maintenance and service, (b) normal wear and tear, (c) any Products or parts which have been subject to misuse, abuse, abnormal usage, negligence, accident, improper or insufficient maintenance, storage or repair (other than repair by the Company), (d) damage caused by faulty installation, or installation or use contrary to recommendations or instructions, (e) any Product that has been moved from its original point of installation, (f) damage caused by environmental or natural elements, (g) damage in transit, (h) natural wear of finish, (i) Products in commercial or nonresidential use, or (j) damage caused by fire, flood or other act of God. This warranty covers only Products sold to original consumers in the Canada by the Company or Canadian distributors authorized by the Company.

This warranty supersedes all prior warranties and is not transferable from the original consumer purchaser.

**No Other Warranties:** This Limited Warranty contains the Company's sole obligation and your sole remedy for defective products. The foregoing warranties are exclusive and in lieu of any other warranties, express or implied. **THE COMPANY DISCLAIMS AND EXCLUDES ALL OTHER EXPRESS WARRANTIES, AND DISCLAIMS AND EXCLUDES ALL WARRANTIES IMPLIED BY LAW, INCLUDING WITHOUT LIMITATION THOSE OF MERCHANTABILITY AND FITNESS FOR A PARTICULAR PURPOSE.**

To the extent that applicable law prohibits the exclusion of implied warranties, the duration of any applicable implied warranty is limited to the period specified for the express warranty above. Some states do not allow limitations on how long an implied warranty lasts, so the above limitation may not apply to you. Any oral or written description of the Product is for the sole purpose of identifying it and shall not be construed as an express warranty.

Whenever possible, each provision of this Limited Warranty shall be interpreted in such manner as to be effective and valid under applicable law, but if any provision is held to be prohibited or invalid, such provision shall be ineffective only to the extent of such prohibition or invalidity, without invalidating the remainder of such provision or the other remaining provisions of the Limited Warranty.

**Remedy:** During the applicable limited warranty period, the Company will, at its option, provide replacement parts for, or repair or replace, without charge, any Product or part thereof, to the extent the Company finds it to be covered by and in breach of this limited warranty under normal use and service. The Company will ship the repaired or replaced Product or replacement parts to you at no charge. You are responsible for all costs for removal, reinstallation and shipping, insurance or other freight charges incurred in the shipment of the Product or part to the Company. If you must send the Product or part to the Company, as instructed by the Company, you must properly pack the Product or part—the Company is not responsible for damage in transit. The Company reserves the right to utilize reconditioned, refurbished, repaired or remanufactured Products or parts in the warranty repair or replacement process. Such Products and parts will be comparable in function and performance to an original Product or part and warranted for the remainder of the original warranty period.

**Exclusion of Damages:** **THE COMPANY'S OBLIGATION TO PROVIDE REPLACEMENT PARTS, OR REPAIR OR REPLACE, AT THE COMPANY'S OPTION, SHALL BE YOUR SOLE AND EXCLUSIVE REMEDY UNDER THIS LIMITED WARRANTY AND THE COMPANY'S SOLE AND EXCLUSIVE OBLIGATION. THE COMPANY SHALL NOT BE LIABLE FOR INCIDENTAL, INDIRECT, CONSEQUENTIAL OR SPECIAL DAMAGES ARISING OUT OF OR IN CONNECTION WITH THE PRODUCT, ITS USE OR PERFORMANCE.**

Some states do not allow the exclusion or limitation of incidental or consequential damages, so the above limitation or exclusion may not apply to you. This warranty gives you specific legal rights, and you may also have other rights, which vary from state to state.

This warranty covers only replacement or repair of defective Products or parts thereof at the Company's main facility and does not include the cost of field service travel and living expenses.

Any assistance the Company provides to or procures for you outside the terms, limitations or exclusions of this limited warranty will not constitute a waiver of such terms, limitations or exclusions, nor will such assistance extend or revive the warranty.

The Company will not reimburse you for any expenses incurred by you in repairing or replacing any defective Product, except for those incurred with the Company's prior written permission.

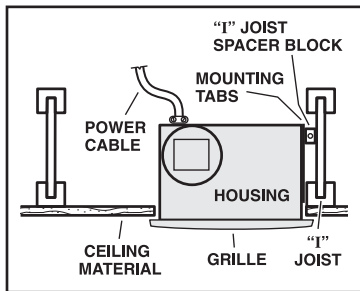
**How to Obtain Warranty Service:** To qualify for warranty service, you must (a) notify the Company at the address or telephone number stated below within seven (7) days of discovering the covered defect, (b) give the model number and part identification and (c) describe the nature of any defect in the Product or part. At the time of requesting warranty service, you must present evidence of the original purchase date. If you cannot provide a copy of the original written limited warranty, then the terms of the Company's most current written limited warranty for your particular product will control. The most current limited written warranties for the Company's products can be found at [www.nutone.ca](http://www.nutone.ca). Broan-NuTone Canada ULC 1140 Tristar Drive, Mississauga, Ontario L5T 1S9 [www.nutone.ca](http://www.nutone.ca) 888-882-7626

**Installer: Leave this manual with the homeowner.**

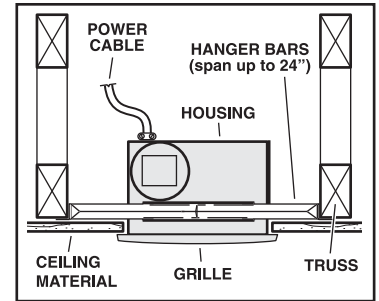
## TYPICAL INSTALLATIONS

### Housing mounted to I-joists.

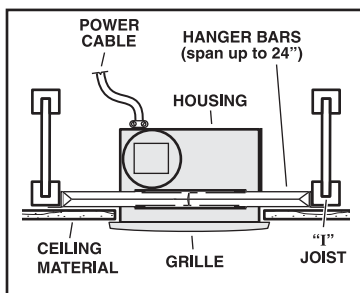
Use *I-joist* spacer blocks (provided).



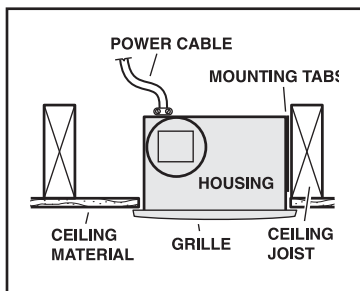
### Housing mounted anywhere between trusses using hanger bars.



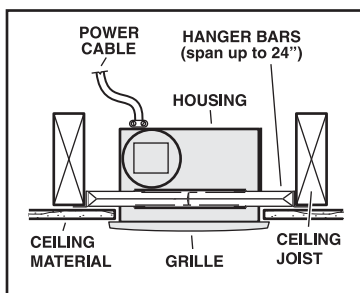
### Housing mounted anywhere between I-joists using hanger bars.



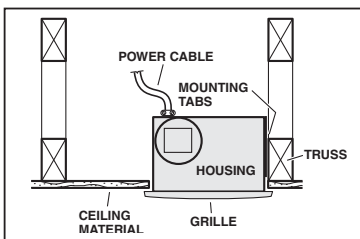
### Housing mounted to joists.



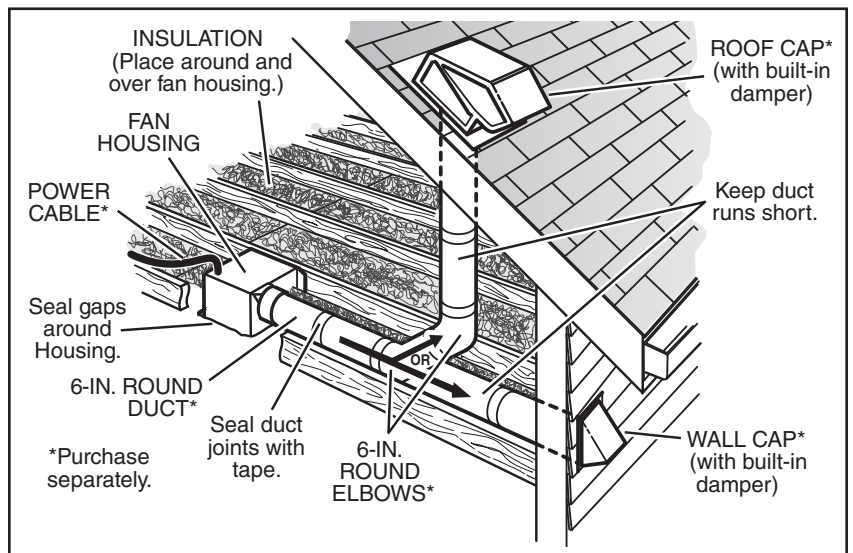
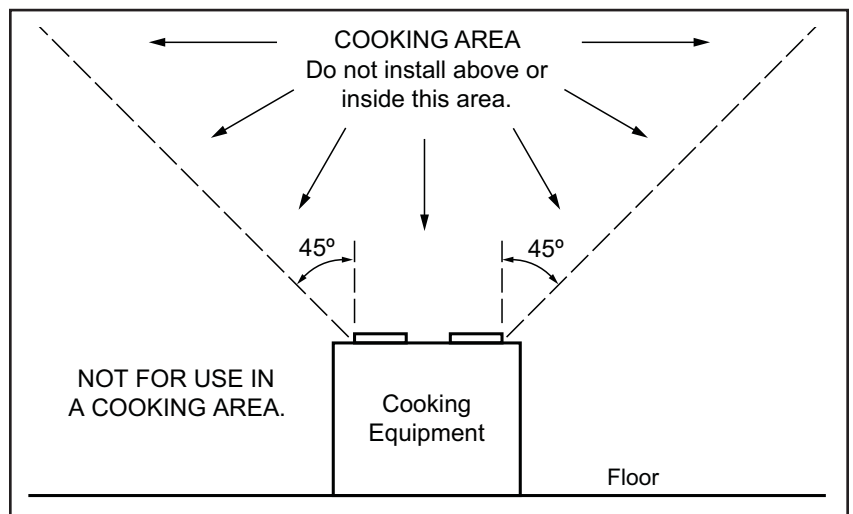
### Housing mounted anywhere between joists using hanger bars.



### Housing mounted to truss.



## PLAN THE INSTALLATION

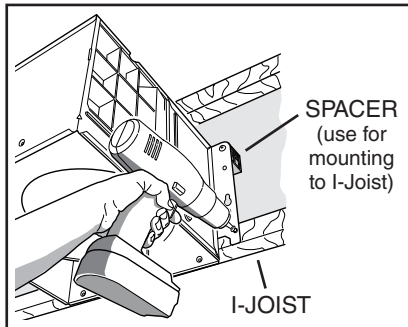


The ducting from this fan to the outside of the building has a strong effect on the air flow, noise and energy use of the fan. Use the shortest, straightest duct routing possible for best performance, and avoid installing the fan with smaller ducts than recommended. Insulation around the ducts can reduce energy loss and inhibit mold growth. Fans installed with existing ducts may not achieve their rated airflow.

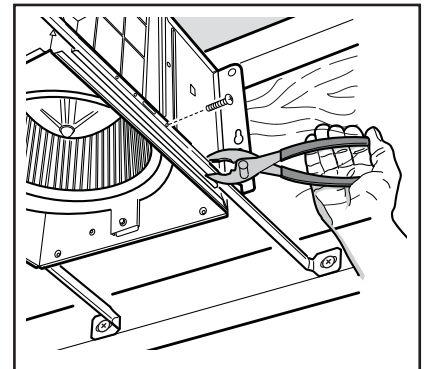
## INSTALL HOUSING & DUCT

### 1a. Mount housing to joist.

Hold housing in place so that bottom edge of housing will be flush with finished surface of ceiling. For 1/2" thick ceiling material, position bottom of each mounting flange flush with the bottom of joist. The housing mounts with four (4) screws or nails. Screw or nail housing to joist through lowest holes in each mounting flange, then through highest holes. NOTE: Mounting to I-JOIST (shown) requires use of SPACERS (included) between the highest hole of each mounting flange and the I-joist.

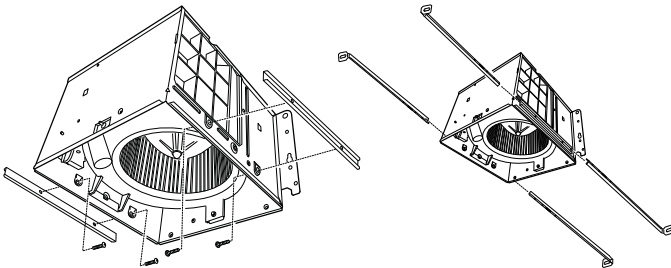


To ensure a noise-free mount: Secure hanger bars together with SCREWS and use a pliers to crimp mounting channels tightly around hanger bars.



OR

### 1b. Mount housing anywhere between trusses, joists, or I-joists using hanger bars.

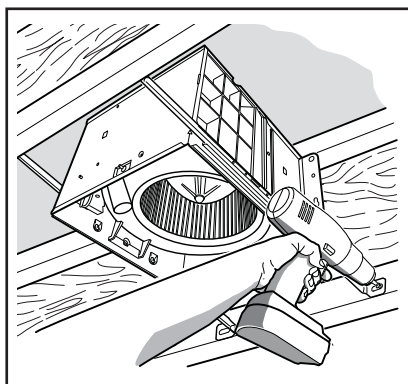


Sliding hanger bars are provided to allow for accurate positioning of housing anywhere between framing. They can be used on all types of framing (I-joist, standard joist, and truss construction) and span up to 24".

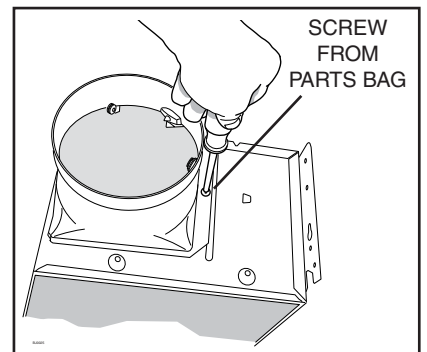
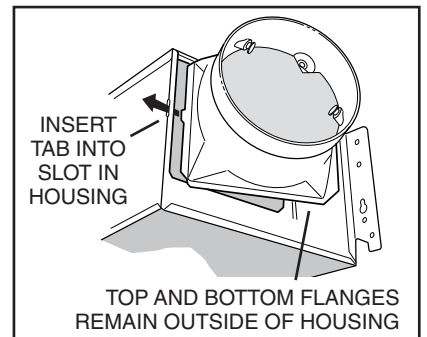
Attach the MOUNTING CHANNELS to the housing using the SCREWS supplied.

Extend HANGER BARS to the width of the framing.

Hold housing in place so that bottom edge of housing will be flush with finished surface of ceiling. For 1/2" thick ceiling material, position bottom of each mounting flange flush with bottom of joist.

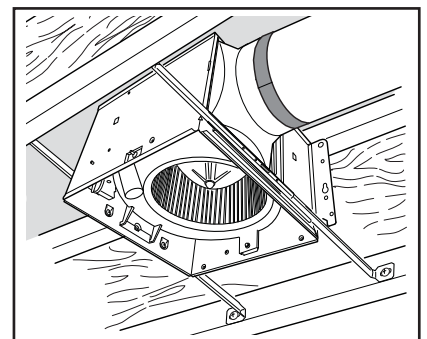


### 2. Attach damper/duct connector.

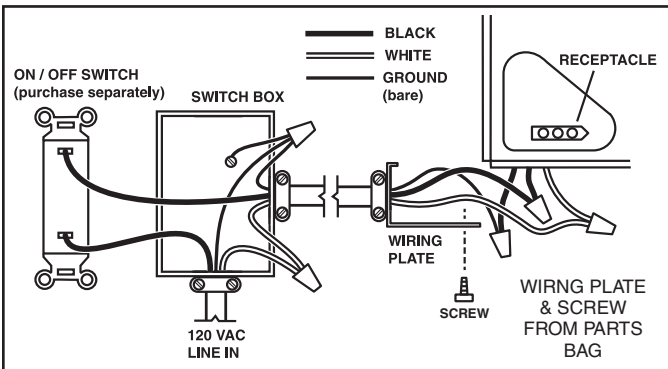
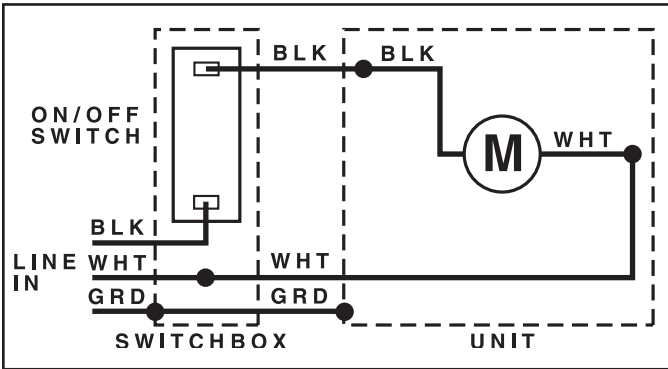


### 3. Install 6-inch round ductwork.

Connect 6-inch round ductwork to damper / duct connector. Run ductwork to a roof cap or wall cap. Tape all ductwork connections to make them secure and air tight.



## CONNECT WIRING



### 4. Connect electrical wiring.

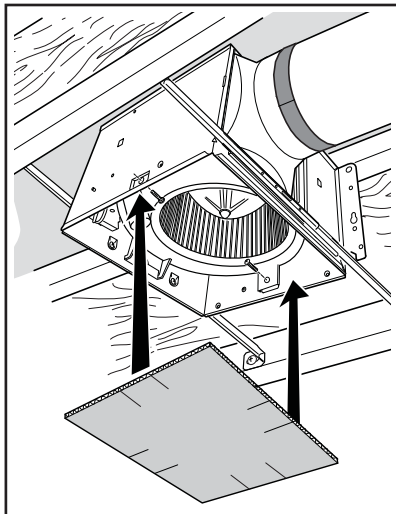
Run 120 VAC house wiring to installation location. Use proper UL approved connector to secure house wiring to wiring plate. Connect wires as shown in wiring diagrams.

## INSTALL MASK & FINISH CEILING

### 5. Insert mask and finish ceiling.

Tape into housing. Mask protects unit during construction. Remove before installing grille.

Install ceiling material. Cut out around housing.



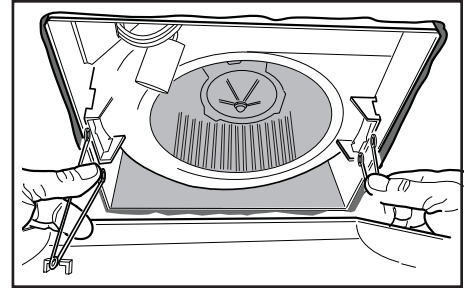
### REPLACEMENT PARTS AND REPAIRS:

In order to ensure your unit remains in good working condition, you must use NuTone genuine replacement parts only. NuTone genuine replacement parts are specially designed for each unit and are manufactured to comply with all the applicable certification standards and maintain a high standard of safety. Any third party replacement part used may cause serious damage and drastically reduce the performance level of your unit, which will result in premature failing. NuTone also recommends to contact a NuTone certified service depot for all replacement parts and repairs.

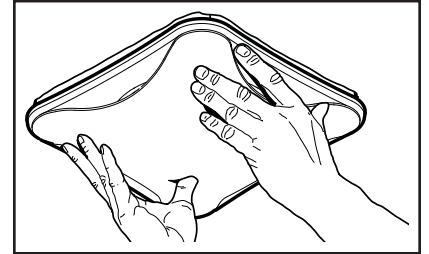
## INSTALL GRILLE

### 6. Attach grille to housing.

Squeeze grille springs and insert them into tabs on each side of housing.



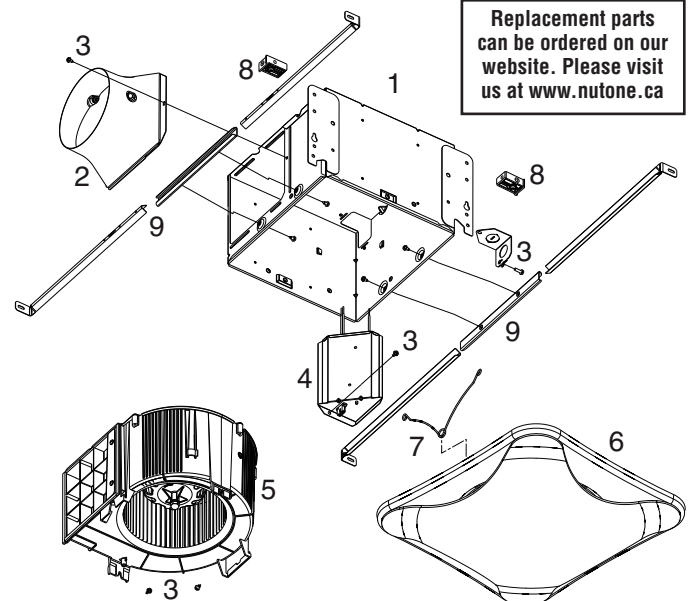
### 7. Push grille against ceiling.



## SERVICE PARTS

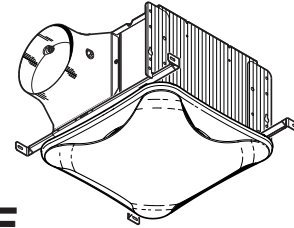
Key No.	Part No.	Description
1	97020009	Housing
2	97018331	Duct Connector
3	97018721	Parts Bag (includes wiring plate & all screws)
4	97018447	Wire Panel/Harness Assembly
5	97020011	Blower Assembly
6	97016460	Grille Assembly (includes key no. 7)
7	99140200	Grille Spring (2 req'd)
8	97018014	Spacer (2 supplied)
9	97020013	Hanger Bar Kit

Order service parts by "Part No." - not by "Key No."



### LIRE ET CONSERVER CES DIRECTIVES

Enregistrez votre produit  
en ligne à :  
[www.nutone.ca](http://www.nutone.ca)



## AVERTISSEMENT



### AFIN DE RÉDUIRE LES RISQUES D'INCENDIE, D'ÉLECTROCUTION OU DE BLESSURES OBSERVEZ LES DIRECTIVES SUIVANTES :

- N'utilisez cet appareil que de la façon prévue par le fabricant. Si vous avez des questions, contactez le fabricant à l'adresse ou au numéro de téléphone indiqué dans la garantie.
- Avant de nettoyer ou de réparer l'appareil, coupez le courant au panneau d'alimentation et verrouillez-en l'accès afin d'éviter sa remise en marche accidentelle. Si le panneau d'alimentation ne peut être verrouillé, apposez un avertissement bien en évidence, par exemple une étiquette de couleur vive.
- Les travaux d'installation et de raccordement électrique doivent être effectués par du personnel qualifié en respectant les normes et règlements en vigueur, y compris les normes et codes de bâtiment en matière de prévention d'incendie.
- Une circulation d'air efficace est requise afin d'assurer la combustion et l'évacuation complète des gaz par la cheminée des équipements à combustion pour prévenir les retours de cheminée. Conformez-vous aux instructions et aux standards de sécurité des fabricants d'équipement de chauffage, tels qu'ils sont publiés par la National Fire Protection Association (NFPA) et l'American Society for Heating, Refrigeration and Air Conditioning Engineers (ASHRAE) ainsi que les responsables des codes locaux.
- Lorsque vous coupez ou percez un mur ou un plafond, prenez garde de ne pas endommager les fils électriques ou autre installation qui pourraient y être dissimulés.
- Les ventilateurs avec conduits doivent toujours évacuer l'air à l'extérieur.
- Cet appareil peut être installé au-dessus d'une douche ou d'une baignoire lorsque celui-ci est relié à un circuit terminal protégé par un disjoncteur de fuite à la terre (DDFT) (installation au plafond seulement).
- Cet appareil doit être relié à une mise à la terre.
- Lorsqu'une réglementation est en vigueur localement et qu'elle comporte des exigences d'installation et/ou de certification plus restrictives, lesdites exigences prévalent sur celles de ce document et l'installateur entend s'y conformer à ses frais.
- Il est recommandé de porter des lunettes et des gants de sécurité lors de l'installation, de l'entretien ou de la réparation de cet appareil.

## ATTENTION



- Pour ventilation générale seulement. Ne pas l'utiliser pour évacuer des matières ou des vapeurs dangereuses ou explosives.
- Ce produit est conçu pour être installé dans des plafonds ayant une pente maximale de 12/12 (angle de 45 degrés). Le raccord de conduit doit être orienté vers le haut. NE PAS INSTALLER CE PRODUIT DANS UN MUR.
- Afin de ne pas endommager les roulements du moteur et que la roue de ventilateur ne soit pas déséquilibrée ou bruyante, garder l'appareil à l'abri des poussières de gypse ou de construction/rénovation, etc.
- Veillez lire l'étiquette de spécifications du produit pour obtenir plus de renseignements, notamment sur les exigences.

## NETTOYAGE ET ENTRETIEN

Pour préserver un fonctionnement optimal et silencieux, une longue durée de vie ainsi qu'une belle apparence, abaissez ou enlevez la grille, puis nettoyez l'intérieur de l'appareil à l'aide d'un aspirateur muni de la brosse à épousseter. Le moteur est lubrifié à vie. Ne pas huiler. Si les roulements du moteur sont plus bruyants qu'à l'habitude, remplacer le bloc moteur (comprend le moteur et la roue du ventilateur).

## FONCTIONNEMENT

Utiliser un interrupteur Marche/Arrêt (On/Off) pour faire fonctionner ce ventilateur. Voir la section « Raccordement électrique » pour plus de détails.

## GARANTIE

### Garantie limitée

**Durée de la garantie et exclusions:** Broan-NuTone Canada ULC (la « Compagnie ») garantit à l'utilisateur acquéreur original de son produit (« vous ») que le produit (le « Produit ») sera exempt de défauts de matière ou de main-d'œuvre pendant une durée de trois (3) ans à partir de la date de son achat original.

La durée de la garantie limitée pour obtenir des pièces de rechange fournies par la Compagnie et pour la réparation ou le remplacement du Produit dans le cadre de la présente garantie limitée, se poursuivra pendant le reste de la durée de garantie originale.

La présente garantie ne couvre pas les régulateurs de vitesse, les starters et les tubes de fluorescent, les ampoules halogènes et incandescentes, les fusibles, les filtres, les conduits, les capuchons de mur ou de toit et les autres accessoires de conduit qui seraient achetés séparément et installés avec le Produit. La présente garantie ne couvre pas (a) l'entretien ni les réparations normales, (b) l'usure normale, (c) les Produits ou pièces détachées ayant été soumis à des abus, une mauvaise utilisation, de la négligence, un accident, un entretien erroné ou insuffisant, un entreposage ou une réparation (réparation non effectuée par la Compagnie), (d) les dommages causés par une mauvaise installation, ou par une installation ou un emploi contraire aux recommandations ou instructions, (e) un Produit ayant été déplacé de son point d'installation original, (f) les dommages causés par des éléments environnementaux ou naturels, (g) les dommages survenus pendant le transport, (h) l'usure naturelle de la finition, (i) les Produits utilisés de manière commerciale ou non résidentielle ou (j) les dommages causés par les incendies, inondations ou autres cas de force majeure. La présente garantie ne couvre que les Produits vendus au Canada ou par des distributeurs canadiens agréés par la Compagnie.

La présente garantie annule et remplace toutes les garanties précédentes et n'est pas cessible par le consommateur ayant effectué l'achat original.

**Absence d'autres garanties:** Cette garantie limitée comprend la seule obligation de la Compagnie et votre seul recours pour les produits défectueux. La présente garantie est exclusive et tient lieu de toutes autres garanties, explicites ou implicites. **LA COMPAGNIE DÉCLINE ET EXCLUT TOUTE AUTRE GARANTIE EXPLICITE ET DÉCLINE ET EXCLUT TOUTE GARANTIE IMPLICITE EN VERTU DE LA LOI, Y COMPRIS, SANS POUR AUTANT Y ÊTRE LIMITÉ, CELLES RELATIVES LA QUALITÉ MARCHANDE ET À L'ADEQUATION À UN BESOIN PARTICULIER.** Dans la mesure où la législation applicable interdit l'exclusion des garanties implicites, la durée de toute garantie implicite éventuellement applicable est limitée à la période spécifiée pour la garantie explicite susmentionnée. Certains États n'autorisent pas les limitations sur la durée d'une garantie implicite, il se peut que la limitation ci-dessus ne s'applique pas à vous. Les éventuelles descriptions, orales ou écrites, du Produit, n'ont pour seul but que de l'identifier et ne sauraient être interprétées comme une garantie explicite.

**Recours:** Pendant la durée de la garantie limitée applicable, la Compagnie, à sa discrétion, fournira des pièces de rechange pour tout Produit ou pièce de produit, ou réparera ou remplacera celui-ci ou celle-ci, sans frais, dans la mesure où la Compagnie admet être redevable de la présente garantie limitée. La Compagnie vous enverra sans frais le Produit, ou les pièces de rechange, réparé ou remplacé. Vous êtes responsable de tous les frais de retrait, de réinstallation ainsi que d'expédition, assurance, frais de transport ou autres relatifs à l'envoi à la Compagnie du Produit ou des pièces. Si vous devez envoyer à la Compagnie le Produit ou une pièce, conformément aux instructions de la Compagnie, vous devez emballer correctement le Produit ou la pièce; la Compagnie ne saurait être responsable d'éventuels dommages pendant le transport. La Compagnie se réserve le droit, lors du processus de réparation ou de remplacement, d'utiliser des pièces ou des Produits reconditionnés, remis à neuf, réparés ou réusinés. De tels pièces ou Produits seront comparables en fonctionnement et en performance à une pièce ou à un Produit original et garantis pour le reste de la durée de la garantie originale.

**Exclusion des dommages: L'OBLIGATION PAR LA COMPAGNIE DE FOURNIR DES PIÈCES DE RECHANGE, OU D'EFFECTUER UNE RÉPARATION OU UN REMPLACEMENT, AU CHOIX DE LA COMPAGNIE, REPRÉSENTE VOTRE RECOURS UNIQUE ET EXCLUSIF EN VERTU DE LA PRÉSENTE GARANTIE LIMITÉE, ET CONSTITUE L'OBLIGATION UNIQUE ET EXCLUSIVE DE LA COMPAGNIE. LA COMPAGNIE NE SAURAIT ÊTRE RESPONSABLE D'ÉVENTUELS DOMMAGES ACCESSOIRES, INDIRECTS OU SPÉCIAUX DÉCOULANT DU PRODUIT, DE SON UTILISATION OU DE SES PERFORMANCES, OU QUI LEUR SÉRAIENT LIÉS.**

Certains États n'autorisent pas l'exclusion ou la limitation des dommages-intérêts accessoires, la limitation ou l'exclusion susmentionnée peut ne pas vous être applicable. La présente garantie vous donne des droits légaux spécifiques, et vous pouvez également avoir d'autres droits, qui varient en fonction de l'État.

La présente garantie ne couvre que le remplacement ou la réparation, à l'usine principale de la Compagnie, des seuls Produits ou pièces défectueux ou défectueuses; elle ne comprend pas le coût des déplacements d'entretien ou les frais de subsistance éventuels.

Aucune assistance que vous fournirait éventuellement la Compagnie en dehors des modalités, limitations ou exclusions de la présente garantie limitée ne saurait constituer une renonciation auxdits termes, limitations ou exclusions, ni ne saurait prolonger ladite garantie.

La Compagnie ne remboursera aucune dépense que vous auriez engagée pour la réparation ou le remplacement d'un Produit défectueux, sauf celles engagées avec une permission écrite de la Compagnie.

**Comment bénéficier de la garantie:** Pour avoir droit à la garantie, vous devez obligatoirement (a) prévenir la Compagnie à l'adresse ou au numéro de téléphone ci-dessous dans les sept (7) jours suivant la découverte du défaut couvert, (b) communiquer le numéro de modèle et l'identification de la pièce et (c) décrire la nature des éventuels défauts du Produit ou de la pièce concernée. Lors de la demande de prise en garantie, vous devrez obligatoirement fournir une preuve de la date d'achat originale. Si vous ne pouvez fournir une copie de la garantie limitée originale écrite, alors les modalités de la garantie limitée écrite la plus récente de la Compagnie concernant votre Produit en particulier prévaudront. Les garanties limitées écrites les plus récentes des Produits de la Compagnie se trouvent sur le site de la Compagnie au : [www.nutone.ca](http://www.nutone.ca).

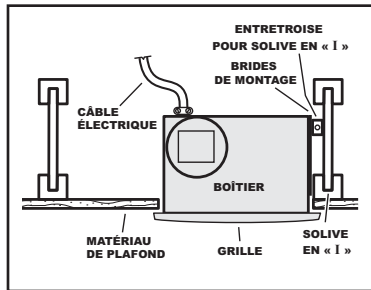
Broan-NuTone Canada ULC, 1140 Tristar Drive, Mississauga, Ontario L5T 1H9 (1 877 896-1119)

[www.nutone.ca](http://www.nutone.ca)

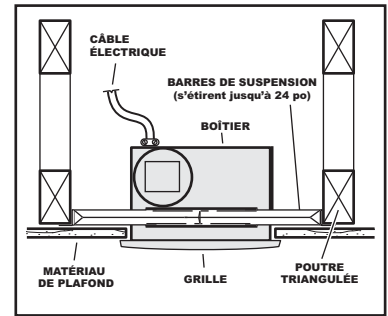
**Installateur : laissez ce manuel  
au propriétaire.**

## INSTALLATIONS TYPES

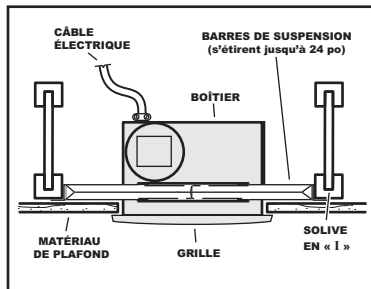
**Boîtier fixé à une solive en « I ».**  
Utiliser les entretoises pour solives en « I » (incluses).



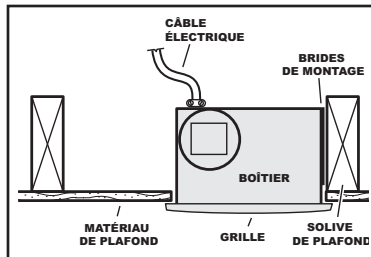
**Boîtier fixé n'importe où entre des poutres triangulées à l'aide de barres de suspension.**



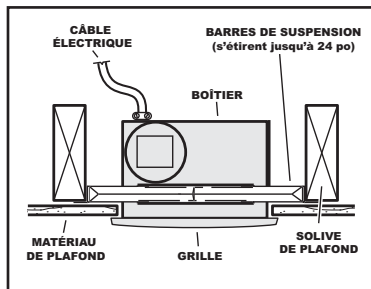
**Boîtier fixé n'importe où entre des solives en « I » à l'aide de barres de suspension.**



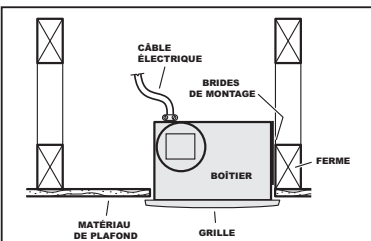
**Boîtier fixé aux solives.**



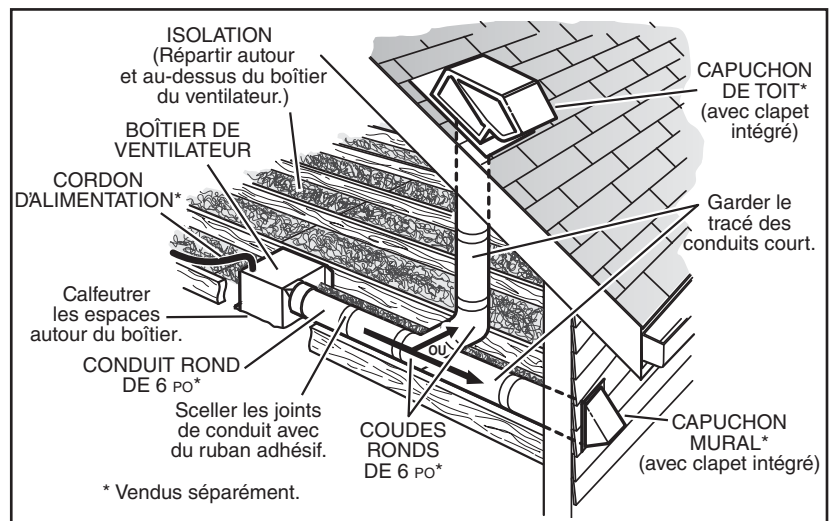
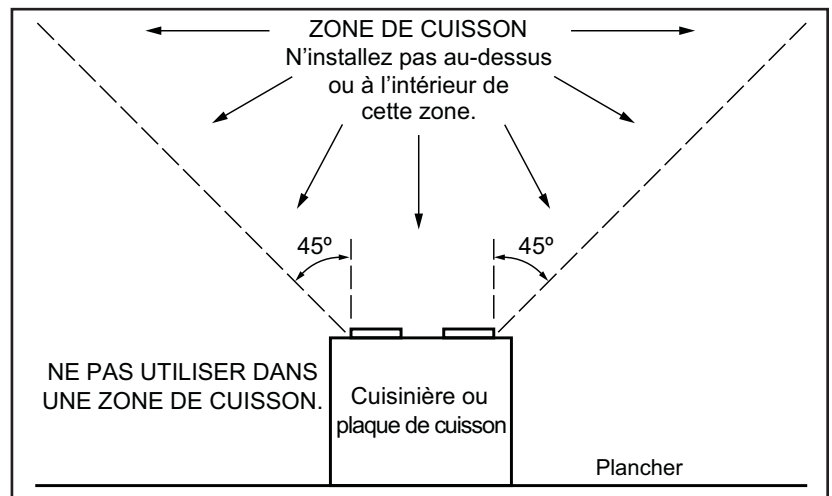
**Boîtier fixé n'importe où entre des solives à l'aide de barres de suspension.**



**Boîtier fixé à une ferme de toit.**



## PLANIFICATION DE L'INSTALLATION



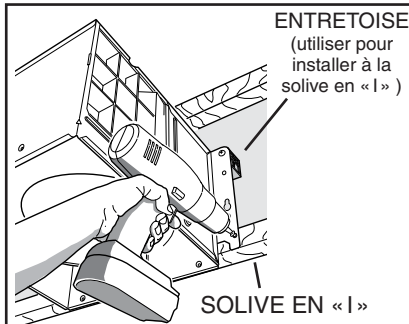
Le conduit reliant ce ventilateur à l'extérieur du bâtiment a un effet direct sur le débit de l'air, le bruit généré et la consommation d'énergie du ventilateur. Pour obtenir les meilleures performances, utiliser un conduit le plus droit et le plus court possible, en évitant de raccorder le ventilateur à un conduit de format plus petit que recommandé. De l'isolant autour du conduit peut réduire la perte d'énergie et empêcher la croissance de moisissures. Les ventilateurs installés avec un conduit préexistant pourraient ne pas atteindre leur débit nominal.

### INSTALLATION DU BOÎTIER ET DU CONDUIT

#### 1a. Fixer le boîtier à la solive.

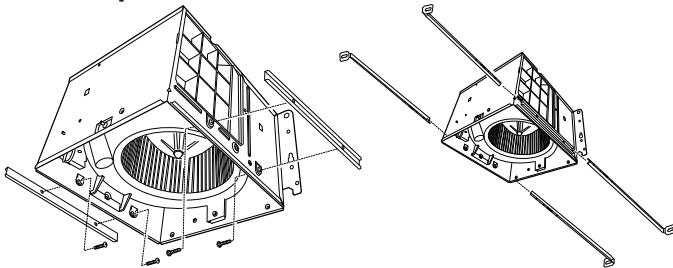
Maintenir le boîtier en place afin que l'arête inférieure de celui-ci soit au même niveau que la surface finie du plafond. Pour un matériau de plafond de 1/2 po d'épaisseur, placer le bas de chacune des brides de montage au même niveau que le bas de la solive. Fixer le boîtier avec quatre (4) vis ou clous. Visser ou clouer le boîtier à la solive à travers les trous les plus bas dans chaque bride de montage, puis dans les trous les plus haut.

NOTE: l'installation à la SOLIVE EN « I » (illustrée) requiert l'utilisation d'ENTRETOISES (incluses) entre les trous les plus hauts de chaque bride de montage et la solive en « I ».



OU

#### 1b. Fixer le boîtier n'importe où entre les poutres triangulées, les solives ou les solives en « I » à l'aide de barres de suspension.

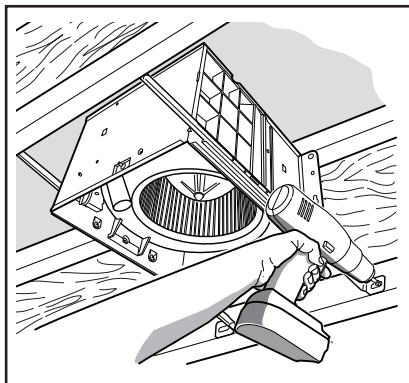


Des barres de suspension coulissantes sont fournies afin de permettre un positionnement adéquat du boîtier n'importe où entre les éléments de structure. Elles peuvent être utilisées sur tous les types de structure (solives en « I », solives standards et poutres triangulées) et s'étirent jusqu'à 24 po.

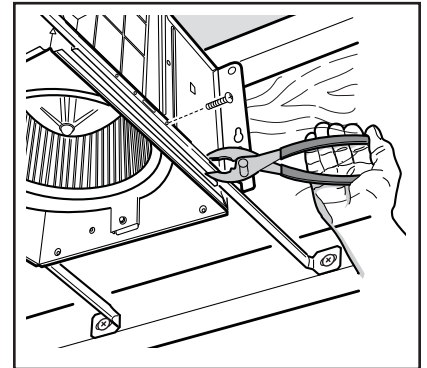
Fixer les GLISSIÈRES au boîtier avec les VIS incluses.

Étirer les BARRES DE SUSPENSION à la largeur entre les éléments de structure.

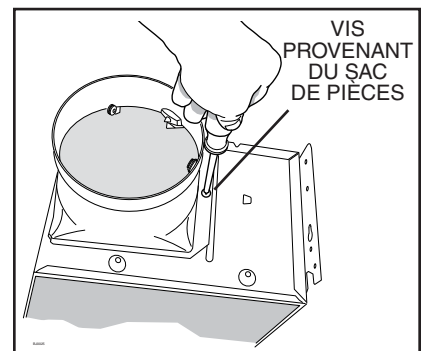
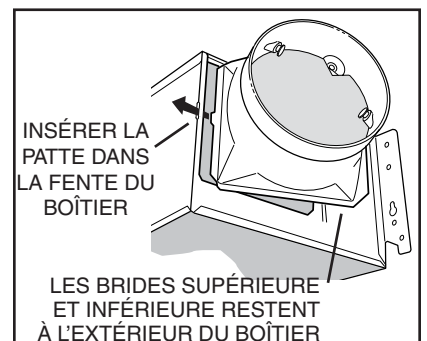
Maintenir le boîtier en place afin que l'arête inférieure de celui-ci soit au même niveau que la surface finie du plafond. Pour un matériau de plafond de 1/2 po d'épaisseur, placer le bas de chacune des brides de montage au même niveau que le bas de la solive.



Pour un fonctionnement silencieux : fixer les barres de suspension ensemble à l'aide de VIS et utiliser des pinces pour bien serrer les glissières sur les barres de suspension.

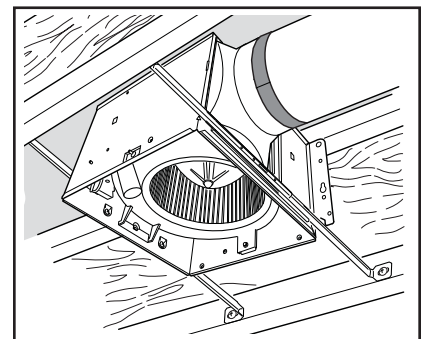


#### 2. Fixer le clapet/raccord de conduit.

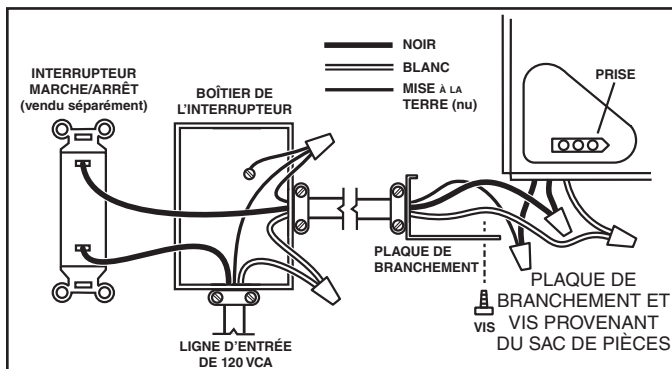
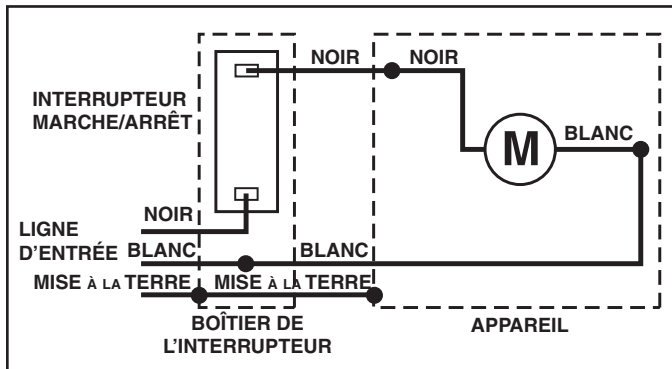


#### 3. Installer le conduit rond de 6 po.

Fixer un conduit rond de 6 po au clapet/raccord de conduit. Acheminer le conduit au capuchon de toit ou de mur. Sceller hermétiquement tous les joints à l'aide de ruban à conduits.



## RACCORDEMENT ÉLECTRIQUE



### 4. Effectuer le raccordement électrique.

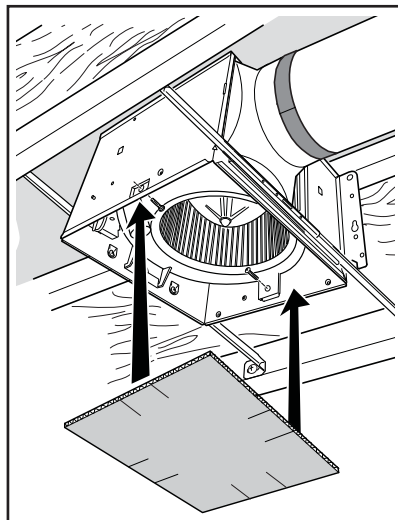
Acheminer un fil de courant domestique de 120 V c.a. jusqu'à l'emplacement de l'installation. Utiliser un serre-fils approprié et homologué par UL pour fixer le câble d'alimentation à la plaque de branchement. Brancher les fils tel qu'il est illustré dans les diagrammes ci-dessus.

## INSTALLER LE MASQUE ET FINIR LE PLAFOND

### 5. Insérer le masque et finir le plafond.

À l'aide de ruban adhésif, coller le masque au boîtier. Le masque protège l'appareil durant les travaux. Retirer le masque avant d'installer la grille.

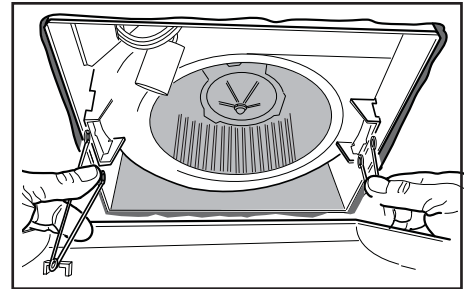
Installer le matériau de plafond. Le découper autour du boîtier.



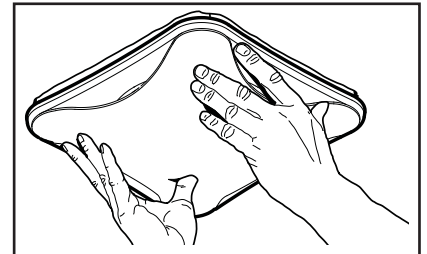
## INSTALLER LA GRILLE

### 6. Attacher la grille au boîtier.

Comprimer les ressorts de la grille et les insérer dans les languettes de chaque côté du boîtier.



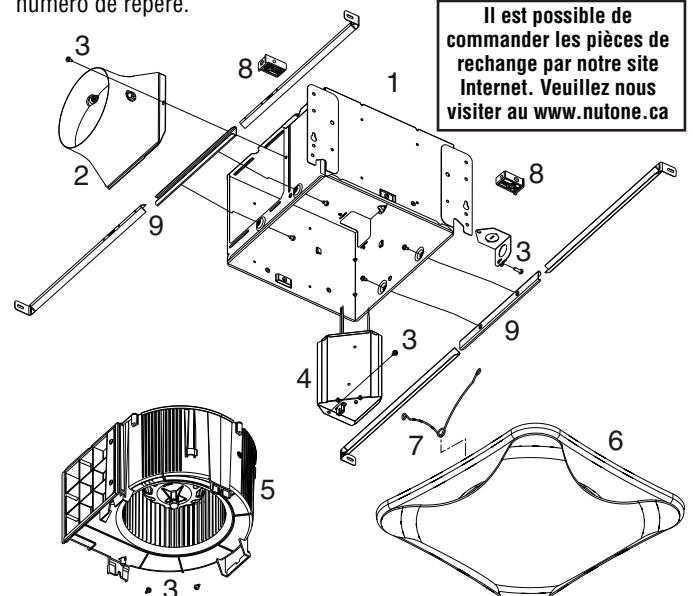
### 7. Pousser la grille contre le plafond.



## PIÈCES DE RECHANGE

Repère n°	Pièce n°	Description
1	97020009	Boîtier
2	97018331	Raccord de conduit
3	97018721	Sac de pièces (comprenant la plaque de branchement et toutes les vis)
4	97018447	Ens. de panneau de branchement et faisceau
5	97020011	Bloc moteur
6	97016460	Ensemble de grille (comprenant le repère n° 7)
7	99140200	Ressort de grille (2 requis)
8	97018014	Entretroises (2 incluses)
9	97020013	Ensemble de barres de suspension

Commander les pièces de rechange par numéro de pièce et non par numéro de repère.



### PIÈCES DE REMPLACEMENT ET SERVICE:

Pour assurer le bon fonctionnement de votre appareil, vous devez toujours utiliser des pièces d'origine provenant de NuTone. Les pièces d'origine de NuTone sont spécialement conçues pour satisfaire toutes les normes de certification de sécurité applicables. Leur remplacement par des pièces ne provenant pas de NuTone pourrait ne pas assurer la sécurité de l'appareil, entraîner une réduction sévère des performances ainsi qu'un risque de défaillance prématurée. NuTone recommande également de toujours vous référer à une entreprise de services compétente et reconnue par NuTone pour vos pièces de remplacement et appels de service.