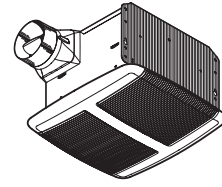


## MODEL SPK110 SPEAKER FAN

To register this product visit:  
[www.broan.com](http://www.broan.com)



### READ AND SAVE THESE INSTRUCTIONS

#### WARNING

**TO REDUCE THE RISK OF FIRE, ELECTRIC SHOCK, OR INJURY TO PERSONS, OBSERVE THE FOLLOWING:**

1. Use this unit only in the manner intended by the manufacturer. If you have questions, contact the manufacturer at the address or telephone number listed in the warranty.
2. Before servicing or cleaning unit, switch power off at service panel and lock the service disconnecting means to prevent power from being switched on accidentally. When the service disconnecting means cannot be locked, securely fasten a prominent warning device, such as a tag, to the service panel.
3. Installation work and electrical wiring must be done by a qualified person(s) in accordance with all applicable codes and standards, including fire-rated construction codes and standards.
4. Sufficient air is needed for proper combustion and exhausting of gases through the flue (chimney) of fuel burning equipment to prevent backdrafting. Follow the heating equipment manufacturer's guideline and safety standards such as those published by the National Fire Protection Association (NFPA), and the American Society for Heating, Refrigeration and Air Conditioning Engineers (ASHRAE), and the local code authorities.
5. When cutting or drilling into wall or ceiling, do not damage electrical wiring and other hidden utilities.
6. Ducted fans must always be vented to the outdoors.
7. Acceptable for use over a tub or shower when connected to a GFCI (Ground Fault Circuit Interrupter) - protected branch circuit (ceiling installation only).
8. This unit must be grounded.

#### CAUTION

1. For general ventilating use only. Do not use to exhaust hazardous or explosive materials and vapors.
2. This product is designed for installation in ceilings up to a 12/12 pitch (45 degree angle). Duct connector must point up. **DO NOT MOUNT THIS PRODUCT IN A WALL.**
3. To avoid motor bearing damage, noisy and/or unbalanced impellers, or speaker damage, keep drywall spray, construction dust, etc. off power unit and speaker diaphragms.
4. Please read specification label on product for further information and requirements.

#### CLEANING & MAINTENANCE

For quiet and efficient operation, long life, and attractive appearance - lower or remove grille and vacuum interior of unit with the dusting brush attachment. Be careful vacuuming around speakers. The motor is permanently lubricated and never needs oiling. If the motor bearings are making excessive or unusual noises, replace the blower assembly (includes motor and impeller).

#### OPERATION

Use an on/off switch to operate this ventilator. Do not use a solid-state speed control with this Speaker Fan. See "Connect Wiring" for details.

The *Bluetooth*® word mark and logos are registered trademarks owned by *Bluetooth*® SIG, Inc. and any use of such marks by Broan-NuTone LLC is under license. Other trademark and trade names are those of their respective owners.

NOTE: This equipment has been tested and found to comply with the limits for a Class B digital device, pursuant to Part 15 of the FCC Rules. These limits are designed to provide reasonable protection against harmful interference in a residential installation. This equipment generates, uses and can radiate radio frequency energy and, if not installed and used in accordance with the instructions, may cause harmful interference to radio communications. However, there is no guarantee that interference will not occur in a particular installation. If this equipment does cause harmful interference to radio or television reception, which can be determined by turning the equipment off and on, the user is encouraged to try to correct the interference by one or more of the following measures:

- Reorient or relocate the receiving antenna.
- Increase the separation between the equipment and receiver.
- Connect the equipment into an outlet on a circuit different from that to which the receiver is connected.
- Consult the dealer or an experienced radio/TV technician for help.

This device complies with Part 15 of the FCC Rules and RSS-210 of Canada. Operation is subject to the following two conditions:

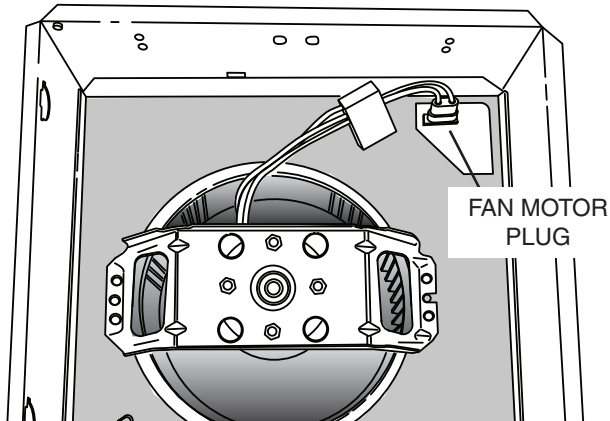
(1) This device may not cause interference, and (2) this device must accept any interference received, including interference that may cause undesired operation. FCC ID: 2ADLL-99528551 IC: 2143B-99528551

This *Bluetooth*® wireless technology enabled Speaker complies with FCC radiation exposure limits set forth for an uncontrolled environment. End users must follow the specific operating instructions for satisfying exposure compliance. This speaker must not be co-located or operate in conjunction with any other antenna or transmitter.

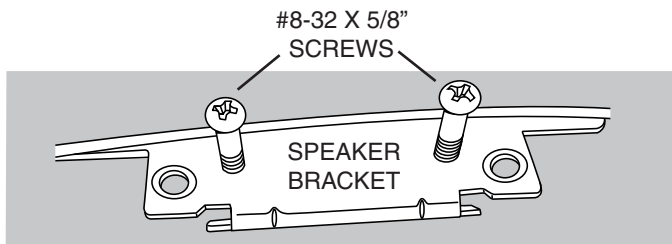
Changes or modifications not expressly approved by the party responsible for compliance could void the user's authority to operate the equipment.

## INSTALL SPEAKER INTO HOUSING

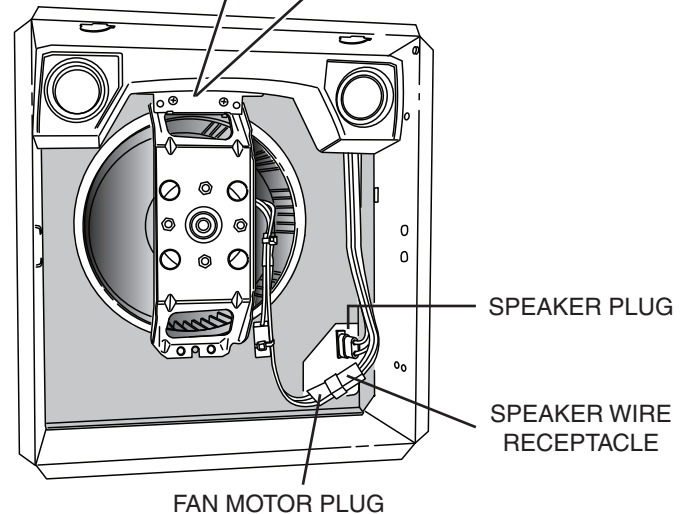
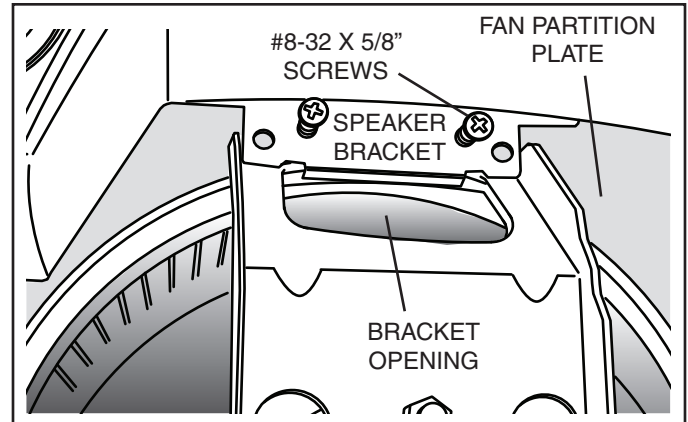
Video instruction for speaker installation are also available at: [www.broan.com](http://www.broan.com)



1. Disconnect **FAN MOTOR PLUG**.

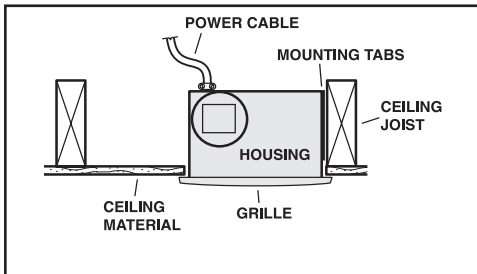


2. Partially install (2) #8-32 x 5/8 screws (Included in parts bag - discard short screws and metal bracket) into threaded holes in **SPEAKER BRACKET** - only so ends of screws are flush with bottom surface of speaker bracket. Note: Installing screws below flush will make the next couple of steps difficult.

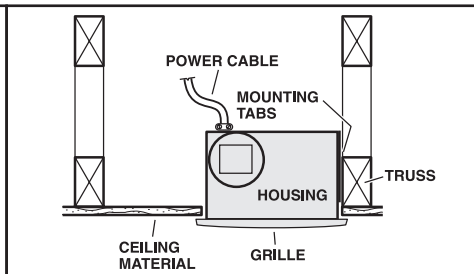


3. Insert speaker into fan housing. Make sure **SPEAKER BRACKET** hooks over edge of **BRACKET OPENING**.
4. Make sure rear surface of speaker is located as close to wall of fan housing as possible.
5. Turn **#8-32 X 5/8\" SCREWS** (partially installed in Step 2) until they make contact with **FAN PARTITION PLATE**. Alternately tighten both screws. **DO NOT OVERTIGHTEN**.  
**NOTE:** Screws are designed to raise and tighten speaker bracket against motor bracket. Screw heads may or may not contact speaker bracket when tight.
6. Insert **SPEAKER PLUG** into power receptacle where motor plug was disconnected.
7. Connect **FAN MOTOR PLUG** into **SPEAKER WIRE RECEPTACLE**.

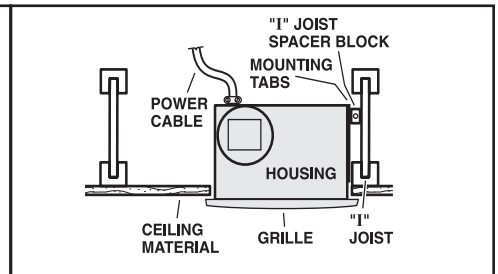
## TYPICAL INSTALLATIONS



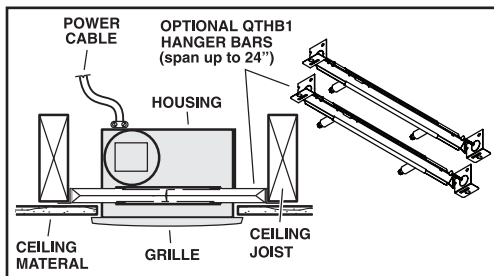
Housing mounted to joists.



Housing mounted to truss.

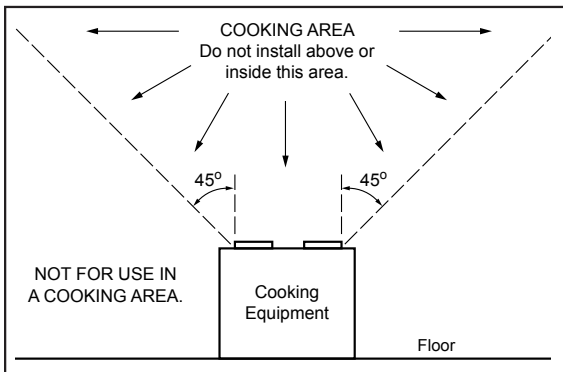


Housing mounted to I-joists.  
Use I-joist spacer block (provided).

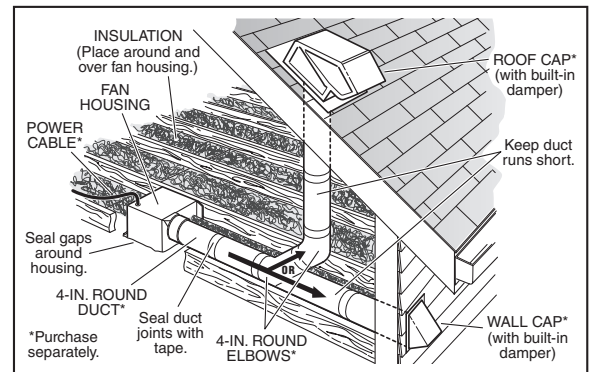


To mount housing anywhere between joists, i-joists or trusses, use optional hanger bar kit QTHB1 (sold separately). Follow mounting instructions included with kit.

## PLAN THE INSTALLATION

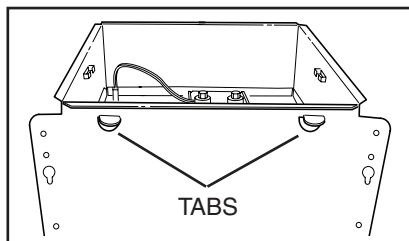


The ducting from this fan to the outside of the building has a strong effect on the air flow, noise and energy use of the fan. Use the shortest, straightest duct routing possible for best performance, and avoid installing the fan with smaller ducts than recommended. Insulation around the ducts can reduce energy loss and inhibit mold growth. Fans installed with existing ducts may not achieve their rated airflow.

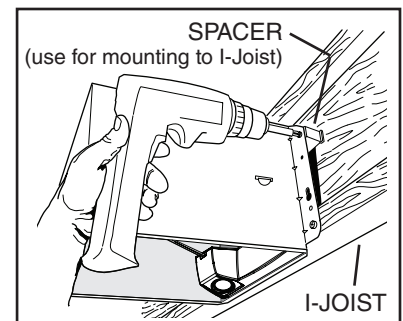


## INSTALL HOUSING & DUCT

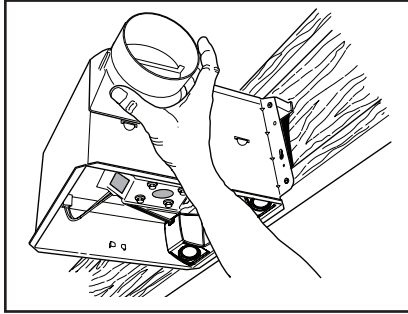
1. Use a pliers to bend housing **TABS** out to 90°.



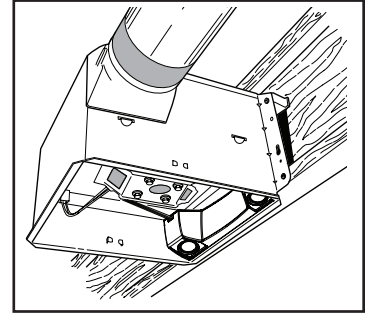
2. Hold housing in place so that the housing tabs contact the bottom of the joist. The housing mounts with four (4) screws or nails. Screw or nail housing to joist through lowest holes in each mounting flange, then through highest holes. **NOTE: Mounting to I-JOIST** (shown) requires use of **SPACERS** (included) between the highest hole of each mounting flange and the I-joist.



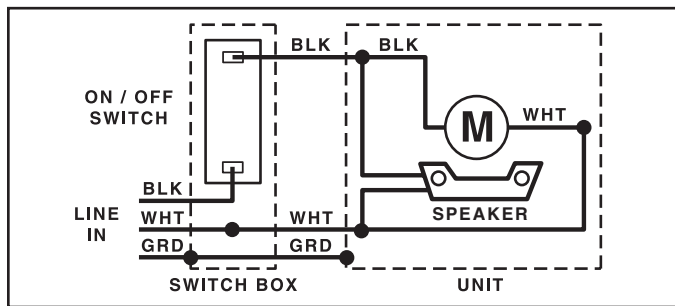
3. Snap damper / duct connector onto housing. Make sure connector is flush with top of housing and damper flap falls closed.



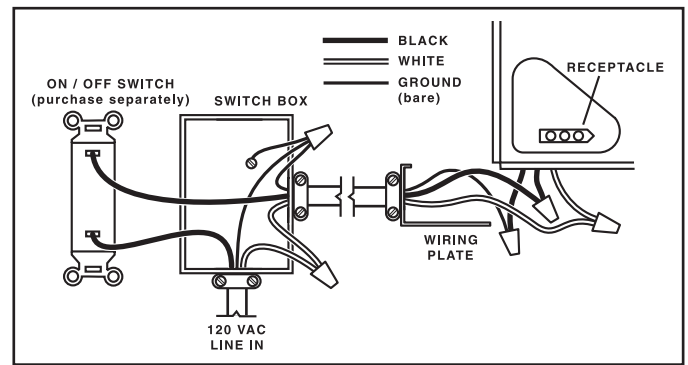
4. Connect 4-inch round ductwork to damper / duct connector. Run ductwork to a roof cap or wall cap. Tape all ductwork connections to make them secure and air tight.



## CONNECT WIRING



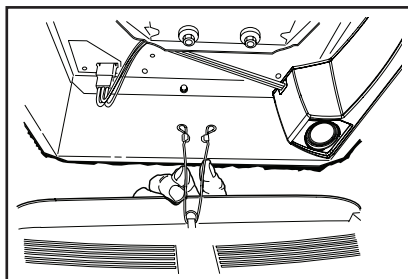
1. Run 120 VAC house wiring to installation location. Use proper UL approved connector to secure house wiring to wiring plate. Connect wires as shown in wiring diagrams.



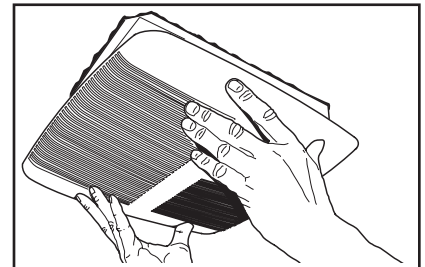
## FINISH CEILING & INSTALL GRILLE

- BEFORE FINISHING CEILING:**
- !** To avoid motor bearing damage, noisy and/or unbalanced impellers, or speaker damage - you may want to cover the housing opening - to keep drywall spray, construction dust, etc. off power unit and speaker diaphragms.

1. Install ceiling material. Cut out around housing.
2. Squeeze grille springs and insert them into slots on each side of housing.



3. Push grille against ceiling.



4. Turn on power to fan.
5. Go to *Bluetooth®* Speaker Operation section for *Bluetooth®* speaker operating instructions.

## SERVICE NOTES

**To remove Blower Assembly:**  
Remove speaker assembly. Unplug motor. Remove thumbscrew (10) from motor plate flange. Find the single **TAB** on the motor plate (located next to the receptacle). Push up near motor plate tab while pushing out on side of housing. Or insert a straight-blade screwdriver into slot in housing (next to tab) and twist screwdriver.

**To remove Speaker Assembly:**  
Unplug motor from speaker wiring. Unplug speaker wiring from wire panel. Remove (2) screws from speaker bracket. Unhook speaker bracket from motor bracket and remove speaker.

## Bluetooth® wireless technology SPEAKER OPERATION

### To connect to the Broan-NuTone Bluetooth® wireless technology Speaker for the first time:

1. To play your personal music or audio files, you need a Bluetooth wireless technology enabled Smart Phone, Tablet, or any other such device.
2. Set your device to a low-to-midrange volume before connecting to the speaker.
3. Make sure Fan is **ON** and Bluetooth® wireless technology enabled device is located within 10 meters (approximately 33 feet) of the Speaker/Fan.
4. Pairing your Bluetooth® wireless technology enabled device with the Speaker:
  - a. For iPad/iPhone/iPod touch:
    - i. From your iPad/iPhone/iPod touch home page, tap **Settings**.
    - ii. From Settings, tap **General** (if you have iOS 7 or greater, you can skip this step).
    - iii. From General, tap **Bluetooth**.
    - iv. Move the **Bluetooth® Slider** to **ON**/green (if it isn't ON already). When you do this, a list of discoverable Bluetooth® wireless technology devices will appear.
    - v. The Broan-NuTone Speaker has the Bluetooth® identifier "**Sensonic™ Vent Fan**". This identifier should be in the list of **Discoverable Devices**. If not, turn the Fan OFF, then ON, then turn Bluetooth® OFF, then ON.
      - If "Sensonic™ Vent Fan" is still not on the list, consult with the owner's manual for your device and follow the procedure for Pairing/Connecting a Bluetooth® wireless technology device.
    - vi. Tap on "**Sensonic™ Vent Fan**" to complete the pairing of the Bluetooth® wireless technology Speaker with your Apple device.
  - b. For Android Phone/Tablet:
    - i. From your smart phone/tablet home page, tap **Settings**.
    - ii. From the Settings menu, go to **Wireless & Controls, Wireless & Networks**, or something similar.
    - iii. Find **Bluetooth®, Bluetooth® Settings** or something similar and tap **Bluetooth®** or move **Bluetooth® Slider** to **ON** (if it isn't on already).
    - iv. On the Bluetooth® screen, tap "**Scan for Devices**", "**Search for Devices**" or something similar.
    - v. The Broan-NuTone Speaker has the Bluetooth® identifier "**Sensonic™ Vent Fan**". This identifier should show up in the list of **Available Devices**. If not, turn Fan OFF, then ON, and repeat pairing procedure.
      - If "**Sensonic™ Vent Fan**" is still not on the list, consult with the owner's manual for your Android device and follow the procedure for Pairing/Connecting a Bluetooth® device.
    - vi. Tap on "**Sensonic™ Vent Fan**" to complete the pairing of the Bluetooth® wireless technology Speaker with your Android device.

- c. For all other Bluetooth® wireless technology enabled devices:
    - i. Follow the instructions that came with your Bluetooth® wireless technology enabled Phone, Tablet or Pad device to set it to search for Bluetooth® wireless technology accessories.
    - ii. Most Bluetooth® wireless technology enabled devices will require you to go to the "Paired Devices" (or similar) screen and SELECT "Search for Devices" or something similar.
    - iii. The Broan-NuTone Speaker has the Bluetooth® identifier "**Sensonic™ Vent Fan**". This identifier should show up in the list of **Available Devices, Discoverable Devices** or similar. If not, turn Fan OFF, then ON, and repeat pairing procedure.
1. 5. Open up the audio program on your device and play your music or other audio files. The audio file should play over the Bluetooth® Fan Speakers.
  2. 6. When done playing/listening to your audio files, disconnect from the Speaker by either turning OFF the fan, disconnecting Bluetooth® wireless technology from your device (Smart Phone, Tablet, etc) or simply walking away. The Bluetooth® wireless technology will automatically disconnect when the device is out of range of the Speaker, which should occur when device is approximately 10 meters (33 feet) away from the Speaker.

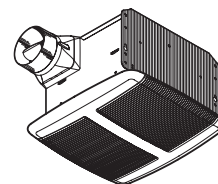
### To connect to the Bluetooth® wireless technology Speaker each subsequent time (after initial connection is made):

1. The Sensonic™ Speaker can only play audio files from one Bluetooth® wireless technology device at a time, therefore one device must be **DISCONNECTED** (but not necessarily **UNPAIRED**) before using the Speaker with another device.
2. If your Bluetooth® wireless technology device was **DISCONNECTED** but not **UNPAIRED** from the Speaker last time it was used, then it should automatically connect next time the device is within range of the Speaker, unless the Speaker is already **CONNECTED** to another device.
  - a. If your device does not **CONNECT** automatically with the Speaker, then find your "Paired Devices" or similar list and **TAP** on "Sensonic Vent Fan" to reconnect with the Sensonic™ Speaker.
3. If your Bluetooth® wireless technology device was **UNPAIRED** from the Speaker after the last time it was used, you must follow the connection procedure in the previous section for **PAIRING** your device with the Speaker.
4. Open up the audio program on your device and play your music or other audio files. The audio file should play over the Bluetooth® wireless technology Fan Speakers.
5. When done playing/listening to your audio files, disconnect from the Speaker by either turning OFF the fan, disconnecting Bluetooth® wireless technology from your device (Smart Phone, Tablet, etc) or simply walking away. The Bluetooth® wireless technology will automatically disconnect when the device is out of range of the Speaker, which should occur when device is approximately 10 meters (33 feet) away from the Speaker.



# VENTILATEUR À HAUT-PARLEUR MODÈLE SPK110

Pour enregistrer ce produit, visitez :  
[www.broan.com](http://www.broan.com).



Page 6

## LIRE CES DIRECTIVES ET LES CONSERVER

### AVERTISSEMENT



**OBSERVEZ LES DIRECTIVES CI-DESSOUS AFIN DE RÉDUIRE LES RISQUES D'INCENDIE, DE CHOC ÉLECTRIQUE OU DE BLESSURES CORPORELLES :**

1. N'utilisez cet appareil que de la manière prévue par le fabricant. Si vous avez des questions, communiquez avec le fabricant à l'adresse ou au numéro de téléphone indiqués dans la garantie.
2. Avant de procéder à l'entretien ou au nettoyage de l'appareil, coupez l'alimentation du panneau électrique et verrouillez l'interrupteur principal afin d'empêcher que le courant ne soit accidentellement rétabli. S'il est impossible de verrouiller l'interrupteur principal, fixez solidement un message d'avertissement, par exemple une étiquette, sur le panneau électrique.
3. La pose de l'appareil et les travaux d'électricité doivent être effectués par des personnes qualifiées conformément à la réglementation en vigueur, notamment les normes de la construction ayant trait à la protection contre les incendies.
4. Pour éviter les refoulements, l'apport d'air doit être suffisant pour brûler les gaz produits par les appareils à combustion et les évacuer dans le conduit de fumée (cheminée). Respectez les directives du fabricant de l'appareil de chauffage et les normes de sécurité, notamment celles publiées par la National Fire Protection Association (NFPA), l'American Society for Heating, Refrigeration and Air Conditioning Engineers (ASHRAE) et les codes des autorités locales.
5. Veillez à ne pas endommager le câblage électrique ou d'autres équipements non apparents lors de la découpe ou du perçage du mur ou du plafond.
6. Les ventilateurs canalisés doivent toujours rejeter l'air à l'extérieur.
7. Cet appareil peut être installé au-dessus d'une enceinte de baignoire ou de douche s'il est branché sur un circuit de dérivation protégé par un disjoncteur de fuite à la terre (installation au plafond seulement).
8. Cet appareil doit être relié à une mise à la terre.

### ATTENTION



1. Pour ventilation générale uniquement. N'utilisez pas cet appareil pour évacuer des matières ou des vapeurs dangereuses ou explosives.
2. Ce produit peut être installé dans un plafond dont la pente n'excède pas 12/12 (45 degrés). Le raccord de conduit doit pointer vers le haut. **CE PRODUIT NE PEUT PAS ÊTRE POSÉ DANS UN MUR.**
3. Pour éviter d'endommager les roulements du moteur, de déséquilibrer les pales ou de les rendre bruyantes, débarrassez l'appareil et les diaphragmes des haut-parleurs de la poussière de plâtre, de construction, etc.
4. Veuillez lire l'étiquette de spécifications du produit pour obtenir plus de renseignements, notamment sur les exigences.

### NETTOYAGE ET ENTRETIEN

Pour un fonctionnement silencieux et efficace, ainsi qu'une durabilité et une apparence supérieures, abaissez ou enlevez la grille et nettoyez l'intérieur de l'appareil avec un aspirateur muni d'une brosse à épousseter. Prenez garde de ne pas abîmer les haut-parleurs avec l'aspirateur.

Le moteur est lubrifié en permanence et n'a pas besoin d'être huilé. Si les roulements du moteur sont anormalement bruyants, remplacez l'ensemble de ventilateur (incluant le moteur et la roue à ailettes).

### FONCTIONNEMENT

Utilisez un interrupteur marche/arrêt pour actionner le ventilateur. N'utilisez pas de commande de régime à semi-conducteurs avec ce ventilateur. Pour plus de détails, consultez la section « Câblage ».

Le nom de marque *Bluetooth*® ainsi que les logos sont des marques déposées appartenant à *Bluetooth*® SIG, Inc. et sont utilisés sous licence par Broan-NuTone LLC. Tous les autres noms et marques de commerce appartiennent à leurs propriétaires respectifs.

REMARQUE : Cet équipement a été testé et constaté conforme aux limites des appareils numériques de Classe B, en vertu de la section 15 des Règlements de la FCC. Ces limites visent à offrir une protection raisonnable contre les interférences indésirables dans une installation résidentielle. Cet équipement génère, utilise et peut émettre des radiofréquences et, s'il n'est pas installé et utilisé conformément aux instructions, peut produire des interférences indésirables pour les radiocommunications. Il n'y a toutefois aucune garantie que des interférences ne se produiront pas dans une installation particulière. Si cet équipement produit des interférences qui nuisent à une réception radio ou télévisuelle, ce qui peut être déterminé en éteignant et en allumant l'appareil, l'utilisateur est invité à corriger la situation par l'un ou l'autre des moyens suivants :

- Réorienter ou déplacer l'antenne réceptrice.
- Éloigner l'équipement du récepteur.
- Brancher l'équipement dans une autre prise de courant sur un circuit différent de celui du récepteur.
- Consulter le détaillant ou un technicien spécialisé en radio / télévision.

Cet appareil est conforme aux normes énoncées à la section 15 des règlements de la FCC et RSS-210 du Canada. Son fonctionnement est assujéti aux conditions suivantes :

(1) l'appareil ne doit pas provoquer d'interférences, et (2) il doit tolérer les interférences reçues, notamment celles susceptibles de provoquer un fonctionnement non souhaité.

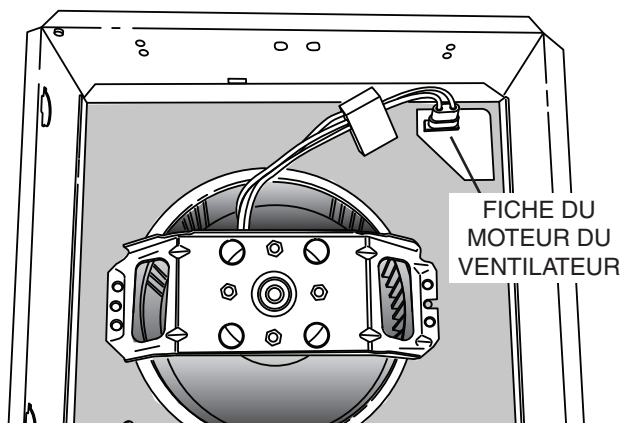
Identification FCC : 2ADLL-99528551 IC : 2143B-99528551

Ce haut-parleur compatible à la technologie sans fil *Bluetooth*® est conforme aux limites d'exposition de la FCC sur les rayonnements, telles qu'établies dans un environnement non contrôlé. L'utilisateur doit suivre les directives d'utilisation pour respecter les limites d'exposition. Ce haut-parleur ne doit pas être relocalisé ni utilisé avec une autre antenne ou un autre émetteur.

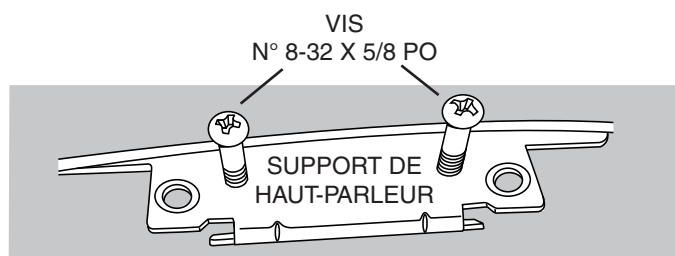
Tout changement ou modification non expressément approuvé par la partie chargée du respect de la réglementation pourrait annuler le droit de l'utilisateur de se servir de l'équipement.

### INSTALLATION DES HAUT-PARLEURS DANS LE BOÎTIER

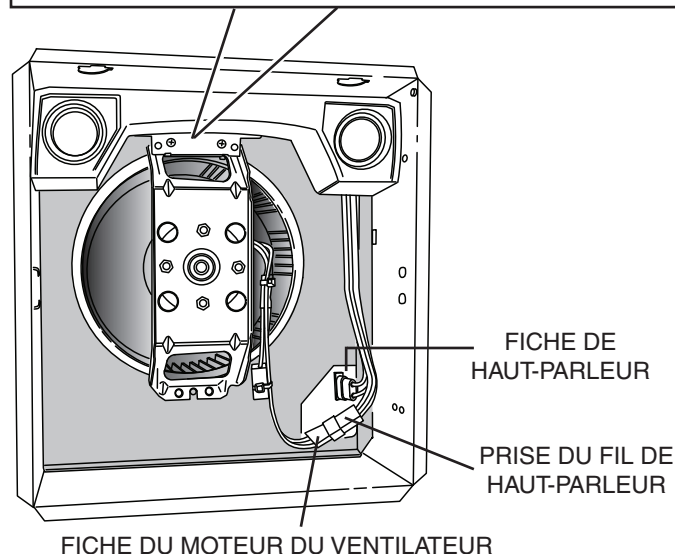
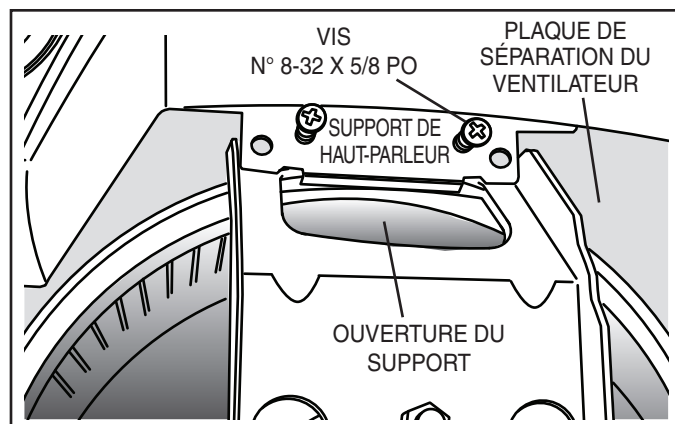
Des instructions sur vidéo pour l'installation des haut-parleurs se trouvent également à : [www.broan.com](http://www.broan.com).



1. Débranchez la **FICHE DU MOTEUR DU VENTILATEUR**.



2. Vissez partiellement deux (2) vis n° 8-32 x 5/8 po (incluses dans le sachet de pièces - veuillez jeter les vis courtes et le support métallique) dans les trous filetés du **SUPPORT DE HAUT-PARLEUR** - vissez-les seulement jusqu'à ce que leur extrémité affleure la surface arrière du support de haut-parleur. Remarque : Si les vis n'affleurent pas la surface, les prochaines étapes risquent d'être plus difficiles.

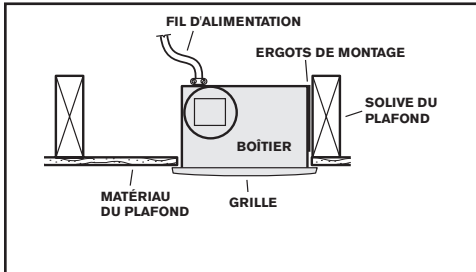


3. Insérez le haut-parleur dans le boîtier du ventilateur. Assurez-vous que le **SUPPORT DE HAUT-PARLEUR** s'accroche au bord de l'**OUVERTURE DU SUPPORT**.
4. Assurez-vous que la surface arrière du haut-parleur est située le plus près possible de la paroi du boîtier du ventilateur.
5. Tournez les **VIS N° 8-32 X 5/8 PO** (installées partiellement à l'étape 2) jusqu'à ce qu'elles touchent à la **PLAQUE DE SÉPARATION DU VENTILATEUR**. Serrez alternativement les deux vis. **NE LES SERREZ PAS TROP**.

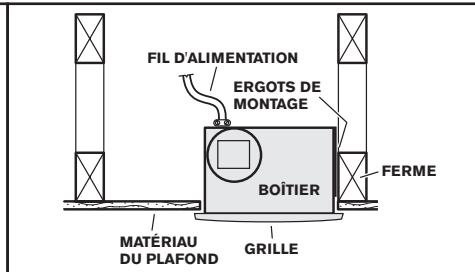
**REMARQUE :** Ces vis sont conçues pour relever et maintenir le support de haut-parleur contre le support du moteur. Les têtes de vis peuvent ou non toucher au support de haut-parleur une fois serrées.

6. Insérez la **FICHE DU HAUT-PARLEUR** dans la prise de courant dans laquelle le moteur était branché.
7. Branchez la **FICHE DU MOTEUR DU VENTILATEUR** dans la **PRISE DU FIL DE HAUT-PARLEUR**.

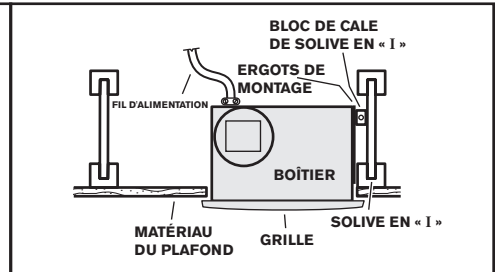
### INSTALLATIONS TYPE



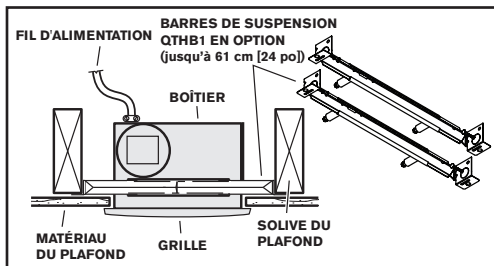
**Boîtier fixé aux solives.**



**Boîtier fixé aux fermes de toit.**

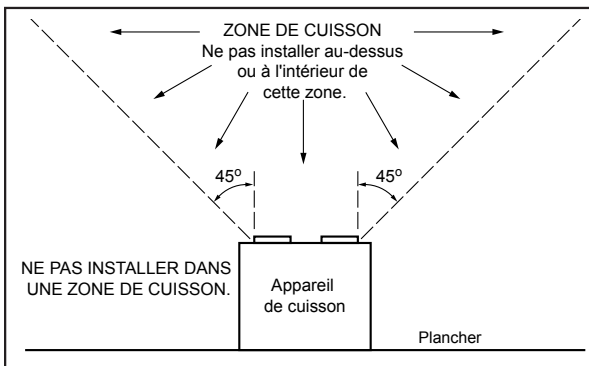


**Boîtier fixé aux solives en « I »**  
Utilisez le bloc de cale de solive en « I » (fourni).

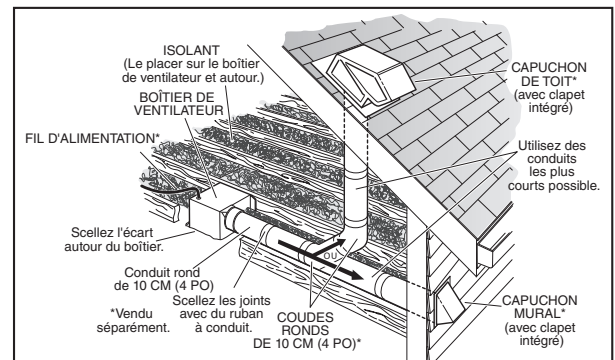


Fixez le boîtier n'importe où entre les solives, solives en « I » ou les fermes avec l'ensemble de barres de suspension QTHB1. Suivez les instructions accompagnant l'ensemble.

### PLANIFICATION DE L'INSTALLATION

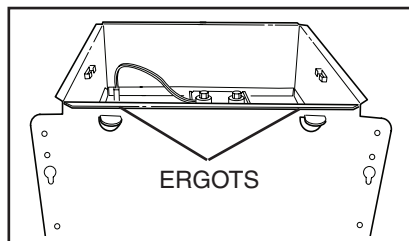


Les conduits allant de ce ventilateur jusqu'à l'extérieur de l'habitation ont une grande influence sur le débit d'air, le bruit du ventilateur et sa consommation d'énergie. Pour obtenir le meilleur rendement, utilisez les conduits les plus courts et les plus droits que possible et évitez d'utiliser des conduits plus petits que ceux recommandés. L'isolation des conduits peut contribuer à réduire les pertes d'énergie et éviter la prolifération de moisissures. Les ventilateurs installés sur d'anciens conduits pourraient ne pas produire leur débit d'air nominal.

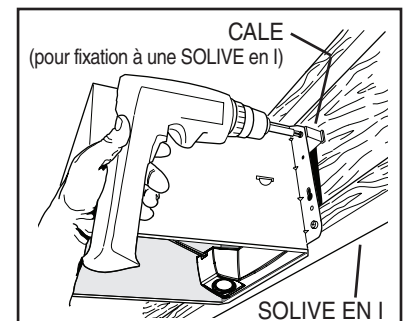


### INSTALLATION DU BOÎTIER ET DES CONDUITS

- Utilisez des pinces pour plier les **ERGOTS** à 90° vers l'extérieur.

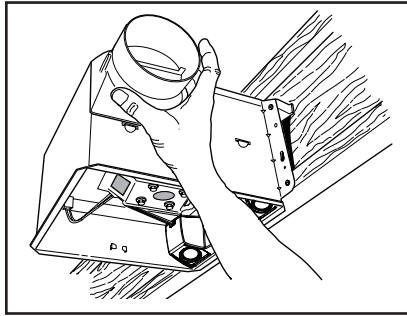


- Maintenez le boîtier en place de sorte que les ergots touchent au bas de la solive. Le boîtier se fixe avec quatre (4) vis ou clous. Vissez ou clouez-le à la solive au travers des trous les plus bas de chaque bride de montage, puis au travers des trous les plus hauts. **REMARQUE :** La fixation à une **SOLIVE en I** (illustré) exige l'utilisation de **CALES** (incluses) entre le trou le plus haut de chaque bride de montage et la solive en I.

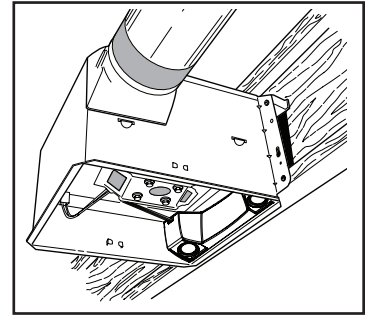




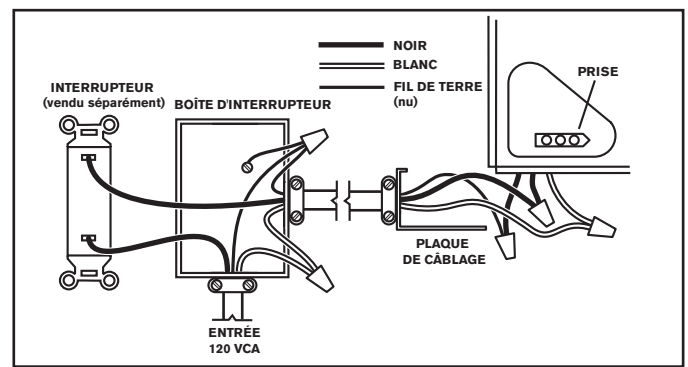
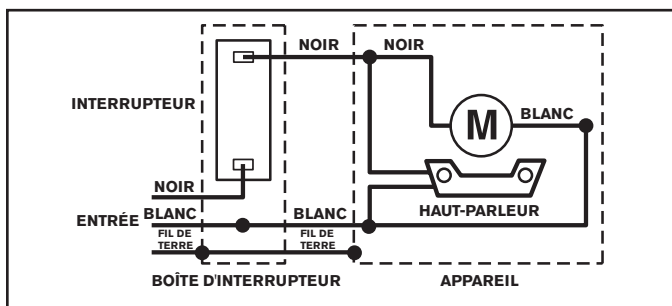
3. Enclenchez le clapet / raccord de conduit sur le boîtier. Assurez-vous que le haut du raccord est à égalité avec le boîtier et que le clapet retombe fermé.



4. Raccordez le conduit rond de 10 cm (4 po) au clapet / raccord de conduit. Acheminez le conduit jusqu'au capuchon mural ou de toit. Étanchez tous les joints avec du ruban adhésif.



## CÂBLAGE



1. Acheminez un fil de 120 VCA jusqu'au lieu d'installation. Fixez le fil à la plaque de câblage avec le connecteur approprié homologué UL. Connectez les fils, tel qu'illustré dans les schémas de câblage.

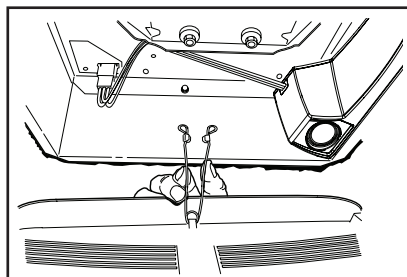
## FINITION DU PLAFOND ET POSE DE LA GRILLE



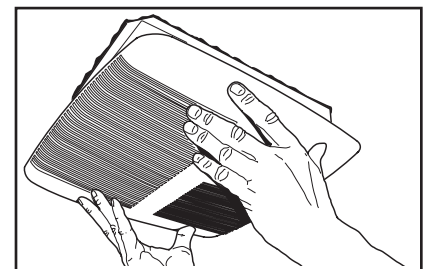
### AVANT DE FINIR LE PLAFOND :

Pour éviter d'endommager les roulements du moteur, de déséquilibrer les pales ou de les rendre bruyantes, couvrez l'ouverture du boîtier pour protéger l'appareil et les diaphragmes des haut-parleurs de la poussière de plâtre, de construction, etc.

1. Installez le matériau du plafond. Coupez-le autour du boîtier.
2. Pincez les ressorts de la grille et insérez-les dans les fentes de chaque côté du boîtier.



3. Poussez la grille contre le plafond.



4. Établissez l'alimentation du ventilateur.
5. Reportez-vous à la section Fonctionnement du Haut-parleur Bluetooth® pour les directives d'utilisation.

## NOTES RELATIVES À L'ENTRETIEN

### Pour enlever l'ensemble de ventilateur :

Enlevez l'ensemble de haut-parleurs (voir ci-dessous). Débranchez le moteur. Enlevez la vis à oreilles (10) de la plaque du moteur. Trouvez l'**ERGOT** sur la plaque du moteur (à proximité de la prise). Soulevez l'ergot tout en poussant sur les côtés du boîtier. Ou encore, insérez la lame d'un tournevis plat dans la fente du boîtier (à côté de l'ergot) et tournez le tournevis.

### Pour enlever l'ensemble de haut-parleurs :

Débranchez le moteur du fil des haut-parleurs. Débranchez le fil des haut-parleurs du panneau de câblage. Enlevez (2) vis du support de haut-parleurs. Débranchez le support de haut-parleurs du support du moteur et enlevez les haut-parleurs.

## Technologie sans fil *Bluetooth*® FONCTIONNEMENT DU HAUT-PARLEUR

### Pour vous connecter la première fois au haut-parleur Broan-NuTone à technologie sans fil *Bluetooth*® :

1. Pour faire jouer votre musique personnelle ou vos fichiers audio, vous avez besoin d'un téléphone intelligent, d'une tablette ou d'un autre appareil compatible à la technologie sans fil *Bluetooth*.
2. Réglez votre appareil à un volume moyennement bas avant de vous connecter au haut-parleur.
3. Assurez-vous que le ventilateur est en **MARCHE** et que l'appareil compatible à la technologie sans fil *Bluetooth*® est situé à moins de 10 mètres (environ 33 pieds) du haut-parleur/ventilateur.
4. Pour jumeler votre appareil compatible à la technologie sans fil *Bluetooth*® avec le haut-parleur :
  - a. Pour un iPad/iPhone/iPod touch :
    - i. À partir de la page d'accueil de votre iPad/iPhone/iPod touch, tapez sur **Settings** (Réglages).
    - ii. Dans les Réglages, tapez sur **General** (Généralités) (si vous avez iOS 7 ou une version ultérieure, vous pouvez sauter cette étape).
    - iii. Dans Généralités, tapez sur **Bluetooth**.
    - iv. Placez le bouton à **glissière Bluetooth**® sur **ON** (MARCHE)/vert (s'il n'est pas déjà sur MARCHE). Une liste des appareils à technologie sans fil *Bluetooth*® décelables apparaît.
    - v. Le haut-parleur Broan-NuTone possède l'identifiant *Bluetooth*® « **Sensonic™ Vent Fan** ». Cet identifiant devrait figurer dans la liste des **Discoverable Devices** (Appareils décelables). Sinon, ARRÊTEZ le ventilateur et remettez-le en MARCHE, puis mettez *Bluetooth*® sur ARRÊT, puis sur MARCHE.
      - Si l'identifiant « Sensonic™ Vent Fan » ne figure pas dans la liste, consultez le manuel d'utilisation de votre appareil et suivez la procédure de jumelage/connexion de l'appareil à technologie sans fil *Bluetooth*®.
    - vi. Tapez sur « **Sensonic™ Vent Fan** » pour achever le jumelage du haut-parleur à technologie sans fil *Bluetooth*® avec votre appareil Apple.
  - b. Pour un téléphone/tablette Android :
    - i. À partir de la page d'accueil de votre téléphone intelligent ou tablette, tapez sur **Settings** (Réglages).
    - ii. Dans le menu Réglages, allez à **Wireless & Controls, Wireless & Networks** (Sans fil et commandes, Sans fil et réseaux) ou une option semblable.
    - iii. Recherchez **Bluetooth**®, **Réglages Bluetooth**® ou une option semblable et tapez sur **Bluetooth**® ou placez le bouton à **glissière Bluetooth**® sur **ON** (MARCHE) (s'il ne l'est pas déjà).
    - iv. Dans l'écran *Bluetooth*®, tapez sur « **Scan for Devices** », « **Search for Devices** » (Balayage des appareils, Recherche d'appareils) ou une option semblable.
    - v. Le haut-parleur Broan-NuTone possède l'identifiant *Bluetooth*® « **Sensonic™ Vent Fan** ». Cet identifiant devrait apparaître dans la liste des **Available Devices** (Appareils disponibles). Sinon, ARRÊTEZ le ventilateur et remettez-le en MARCHE, puis reprenez la procédure de jumelage.
      - Si « **Sensonic™ Vent Fan** » ne figure toujours pas dans la liste, consultez le manuel d'utilisation de votre appareil Android et suivez la procédure de jumelage/connexion d'un appareil *Bluetooth*®.
    - vi. Tapez sur « **Sensonic™ Vent Fan** » pour achever le jumelage du haut-parleur à technologie sans fil *Bluetooth*® avec votre appareil Android.

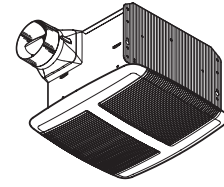
- c. Pour tous les autres appareils compatibles à la technologie sans fil *Bluetooth*® :
  - i. Suivez les instructions qui accompagnent votre téléphone intelligent, tablette ou autre appareil compatible à la technologie sans fil *Bluetooth*® et réglez-le pour qu'il recherche les accessoires à technologie sans fil *Bluetooth*®.
  - ii. La plupart des appareils compatibles à la technologie sans fil *Bluetooth*® exigeront que vous alliez à l'écran des « Appareils jumelés » (ou tout écran semblable) et que vous SÉLECTIONNIEZ « Rechercher les appareils » ou une option semblable.
  - iii. Le haut-parleur Broan-NuTone possède l'identifiant *Bluetooth*® « **Sensonic™ Vent Fan** ». Cet identifiant devrait apparaître dans la liste des **Available Devices, Discoverable Devices** (Appareils disponibles, Appareils décelables) ou toute liste semblable. Sinon, ARRÊTEZ le ventilateur et remettez-le en MARCHE, puis reprenez la procédure de jumelage.
5. Ouvrez le programme audio de votre appareil et faites jouer votre musique ou d'autres fichiers audio. Le fichier audio devrait jouer dans les haut-parleurs du ventilateur *Bluetooth*®.
6. Une fois terminée l'écoute de vos fichiers audio, déconnectez-vous du haut-parleur soit en ARRÊTANT le ventilateur, en mettant fin à la connexion de votre appareil (téléphone intelligent, tablette, etc.) compatible à la technologie sans fil *Bluetooth*® ou simplement en vous éloignant. La technologie sans fil *Bluetooth*® se déconnecte automatiquement lorsque l'appareil est hors de la portée du haut-parleur, soit à environ 10 mètres (33 pieds) de distance.

### Pour vous connecter les prochaines fois au haut-parleur à technologie sans fil *Bluetooth*® (après qu'une connexion initiale ait été établie) :

1. Le haut-parleur Sensonic™ ne peut jouer que les fichiers audio d'un seul appareil à technologie sans fil *Bluetooth*® à la fois, et donc l'appareil doit être **DÉCONNECTÉ** (mais pas nécessairement **DÉJUMELÉ**) avant d'utiliser le haut-parleur avec un autre appareil.
2. Si votre appareil à technologie sans fil *Bluetooth*® a été **DÉCONNECTÉ** mais non **DÉJUMELÉ** du haut-parleur la dernière fois qu'il a été utilisé, il devrait se reconnecter automatiquement la prochaine fois que votre appareil revient à la portée du haut-parleur, à moins que le haut-parleur soit déjà **CONNECTÉ** à un autre appareil.
  - a. Si votre appareil ne se **CONNECTE** pas automatiquement avec le haut-parleur, recherchez votre liste d'« Appareils jumelés » ou toute liste semblable et **TAPEZ** sur « Sensonic Vent Fan » pour vous reconnecter avec le haut-parleur Sensonic™.
3. Si votre appareil à technologie sans fil *Bluetooth*® a été **DÉJUMELÉ** du haut-parleur depuis sa dernière utilisation, vous devez suivre la procédure de connexion de la section précédente pour effectuer le **JUMELAGE** de votre appareil avec le haut-parleur.
4. Ouvrez le programme audio de votre appareil et faites jouer votre musique ou d'autres fichiers audio. Le fichier audio devrait jouer sur le ventilateur à haut-parleurs à technologie sans fil *Bluetooth*®.
5. Une fois terminée l'écoute de vos fichiers audio, déconnectez-vous du haut-parleur soit en ARRÊTANT le ventilateur, en mettant fin à la connexion de votre appareil (téléphone intelligent, tablette, etc.) compatible à la technologie sans fil *Bluetooth*® ou simplement en vous éloignant. La technologie sans fil *Bluetooth*® se déconnecte automatiquement lorsque l'appareil est hors de la portée du haut-parleur, soit à environ 10 mètres (33 pieds) de distance.

## VENTILADOR DE ALTAVOZ MODELO SPK110

Para registrar este producto visite:  
[www.broan.com](http://www.broan.com)



Página 11

### LEA Y CONSERVE ESTAS INSTRUCCIONES

#### ADVERTENCIA

**PARA REDUCIR EL RIESGO DE INCENDIOS, DESCARGAS ELÉCTRICAS O LESIONES PERSONALES, SIGA LAS SIGUIENTES PRECAUCIONES:**

1. Use la unidad solo de la manera indicada por el fabricante. Si tiene preguntas, comuníquese con el fabricante a la dirección o al número telefónico que se incluye en la garantía.
2. Antes de dar servicio a la unidad o de limpiarla, interrumpa el suministro eléctrico en el panel de servicio y bloquee los medios de desconexión del servicio para evitar que la electricidad se reanude accidentalmente. Cuando no sea posible bloquear los medios de desconexión del servicio, fije firmemente una señal de advertencia (como una etiqueta) en un lugar visible del panel de servicio.
3. El trabajo de instalación y el cableado eléctrico deben estar a cargo de personal capacitado, de acuerdo con todos los códigos y normas correspondientes, que incluyen los códigos y las normas de construcción específicos sobre protección contra incendios.
4. Es necesario suficiente aire para que se lleve a cabo una combustión y una extracción adecuadas de los gases a través del tubo de humos (chimenea) del equipo quemador de combustible, con el fin de evitar el contratiro. Siga las directrices y las normas de seguridad del fabricante del equipo de calefacción, como las publicadas por la Asociación Nacional de Protección contra Incendios (National Fire Protection Association, NFPA), la Sociedad Americana de Ingenieros de Calefacción, Refrigeración y Aire Acondicionado (American Society for Heating, Refrigeration and Air Conditioning Engineers, ASHRAE) y las autoridades normativas locales.
5. Al cortar o perforar a través de la pared o del cielo raso, tenga cuidado de no dañar el cableado eléctrico ni otros servicios ocultos.
6. Los ventiladores con conductos siempre deben ventearse hacia el exterior.
7. Esta unidad puede instalarse sobre una tina o ducha siempre que se conecte a un GFCI (interruptor de circuitos para fallas a tierra) en un circuito de derivación protegido (solo en instalación de cielo raso).
8. Esta unidad debe estar conectada a tierra.

#### PRECAUCIÓN

1. Solo para usarse como medio de ventilación general. No debe usarse para la extracción de materiales o vapores peligrosos o explosivos.
2. Este producto está diseñado para instalarse en cielos rasos con una pendiente de hasta 12/12 (en un ángulo de 45 grados). El conector de conductos debe apuntar hacia arriba. **NO MONTE ESTE PRODUCTO EN LA PARED.**
3. Para evitar daños a los cojinetes del motor e impulsores ruidosos o desbalanceados, o daños en el altavoz, mantenga la unidad de potencia y los diafragmas de los altavoces protegidos contra rociados de yeso, polvos de construcción, etc.
4. Lea la etiqueta de especificaciones del producto para ver información y requisitos adicionales.

#### LIMPIEZA Y MANTENIMIENTO

Para lograr un funcionamiento silencioso y eficiente, así como también una larga vida y una apariencia atractiva del producto, baje o retire la rejilla y aspire el interior de la unidad con el accesorio del cepillo para sacudir polvo. Tenga cuidado cuando aspire cerca de los altavoces.

El motor está permanentemente lubricado y nunca necesitará ponerle aceite. Si los cojinetes del motor están haciendo ruido excesivo o inusitado, reemplace el conjunto del ventilador (incluye el motor y el impulsor).

#### FUNCIONAMIENTO

Accione este ventilador mediante un interruptor de encendido/apagado. No use un control de velocidad de estado sólido con este ventilador de altavoz. Consulte los detalles en la sección "Conexión eléctrica".

La marca y los logotipos de la palabra *Bluetooth*® son marcas comerciales registradas propiedad de *Bluetooth*® SIG, Inc. y todo uso de dichas marcas por parte de Broan-NuTone LLC se realiza bajo licencia. Otras marcas comerciales y nombres comerciales son de sus propietarios respectivos.

NOTA: Este equipo ha sido probado y se encontró que cumple con los límites de un dispositivo digital Clase B, de conformidad con la Parte 15 de las Reglas de la FCC. Estos límites están diseñados para brindar una protección razonable contra las interferencias nocivas en una instalación residencial. Este equipo genera, utiliza y puede irradiar energía de radiofrecuencia, y si no se instala y utiliza de acuerdo con las instrucciones, podría causar interferencia nociva a las comunicaciones por radio. No obstante, no hay garantía de que no se generará interferencia en una instalación particular. Si el equipo provoca interferencia nociva en la recepción de señales de radio o de televisión, lo cual se puede determinar apagando y encendiendo el equipo, se exhorta al usuario para que trate de corregir la interferencia mediante una o más de las siguientes medidas:

- Reorientar o reubicar la antena de recepción.
- Aumentar la separación entre el equipo y el receptor.
- Conectar el equipo en un tomacorriente en un circuito diferente a aquel donde esté conectado el receptor.
- Pedir ayuda al distribuidor o a un técnico experimentado en radio y TV.

Este dispositivo cumple con la Parte 15 de las reglas de la FCC y RSS-210 de Canadá. La operación está sujeta a las dos condiciones siguientes:

(1) Este dispositivo no puede ocasionar interferencia, y (2) este dispositivo debe aceptar cualquier interferencia recibida, incluida la interferencia que pueda provocar un funcionamiento no deseado.

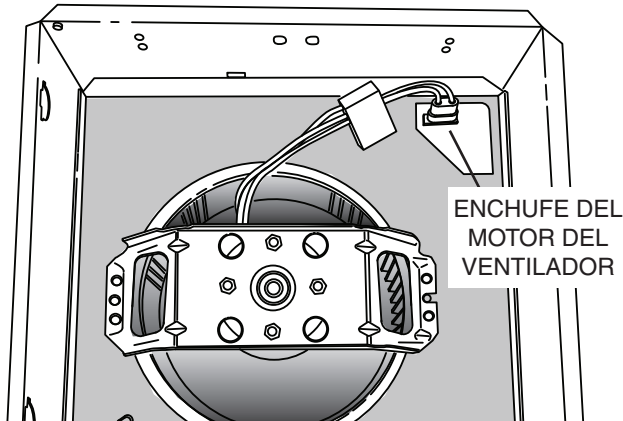
ID de la FCC: 2ADLL-99528551 IC: 2143B-99528551

Este altavoz habilitado con tecnología inalámbrica *Bluetooth*® cumple con los límites de exposición a la radiación de la FCC establecidos para un ambiente no controlado. Los usuarios finales deben seguir las instrucciones de operación específicas para cumplir con los requisitos de exposición. Este altavoz no debe colocarse ni operarse en conjunto con ninguna otra antena o transmisor.

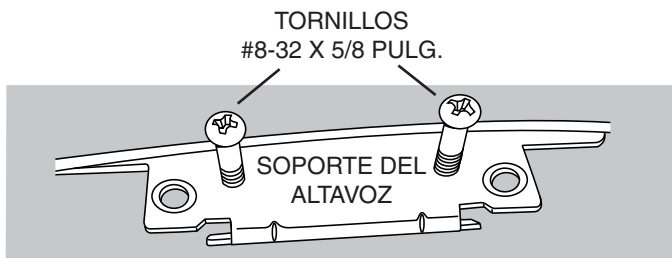
Los cambios o modificaciones no aprobados expresamente por la parte responsable del cumplimiento podrían anular la autoridad del usuario para operar el equipo.

## INSTALE EL ALTAVOZ EN LA CUBIERTA

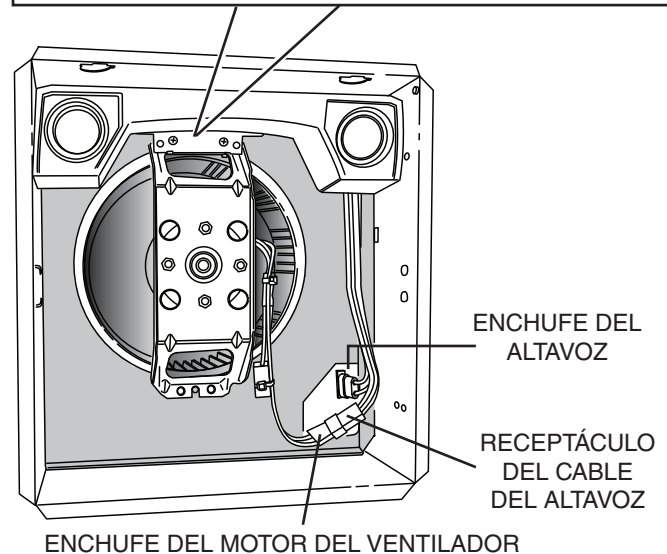
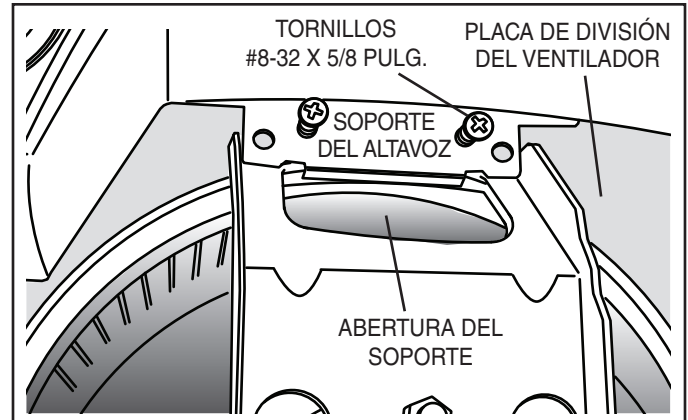
Las instrucciones en video para instalar el altavoz están disponibles también en: [www.broan.com](http://www.broan.com)



1. Desconecte el **ENCHUFE DEL MOTOR DEL VENTILADOR**.



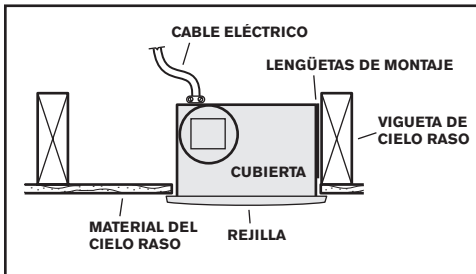
2. Instale parcialmente (2) tornillos #8-32 x 5/8 (incluidos en la bolsa de piezas; descarte los tornillos cortos y el soporte metálico) en los orificios roscados del **SOPORTE DEL ALTAVOZ**, de tal manera que los extremos de los tornillos estén al ras con la superficie inferior del soporte del altavoz. Nota: Si se instalan los tornillos debajo del ras complicará los siguientes dos pasos.



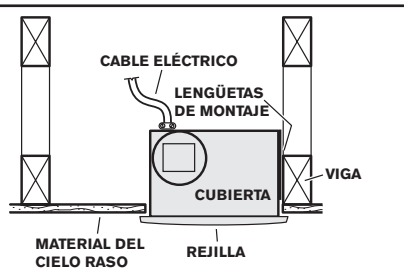
3. Inserte el altavoz en la cubierta del ventilador. Asegúrese de que el **SOPORTE DEL ALTAVOZ** se conecte sobre el borde de la **ABERTURA DEL SOPORTE**.
4. Asegúrese de que la superficie trasera del altavoz se encuentre tan cerca como sea posible de la pared de la cubierta del ventilador.
5. Dé vuelta a los **TORNILLOS #8-32 x 5/8 PULG.** (instalados parcialmente en el paso 2) hasta que hagan contacto con la **PLACA DE DIVISIÓN DEL VENTILADOR**. De manera alternada apriete ambos tornillos. **NO APRIETE DE MÁS.**  
**NOTA:** Los tornillos están diseñados para subir y apretar el soporte del altavoz contra el soporte del motor. Al estar apretadas, las cabezas de los tornillos podrían hacer (o no) contacto con el soporte del altavoz.
6. Inserte el **ENCHUFE DEL ALTAVOZ** en el receptáculo eléctrico donde desconectó el enchufe del motor.
7. Conecte el **ENCHUFE DEL MOTOR DEL VENTILADOR** en el **RECEPTÁCULO DEL CABLE DEL ALTAVOZ**.



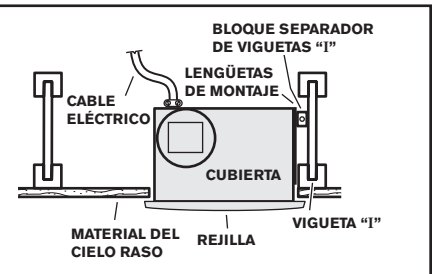
## INSTALACIONES TÍPICAS



Montaje de la cubierta en viguetas.

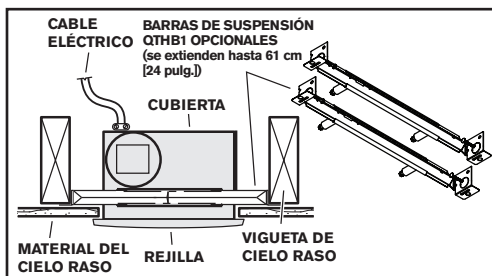


Montaje de la cubierta a la viga.



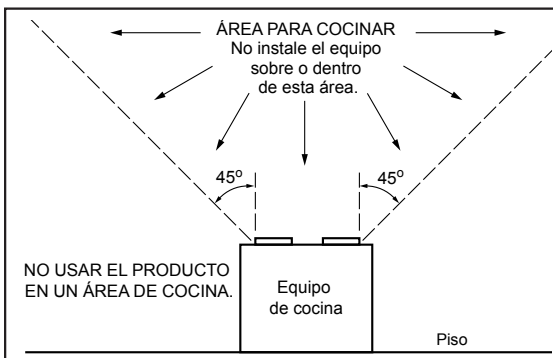
Montaje de la cubierta en viguetas "I".

Utilice un bloque separador de viguetas "I" (suministrado).

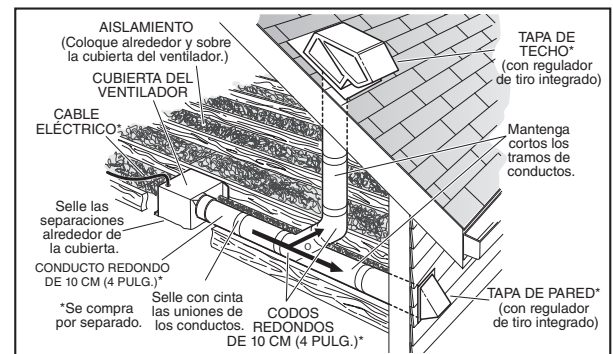


Para montar la cubierta en cualquier lugar entre las viguetas, viguetas "I" o vigas, use el kit QTHB1 de barras de suspensión opcionales (se vende por separado). Siga las instrucciones de montaje incluidas en el kit.

## PLANIFIQUE LA INSTALACIÓN

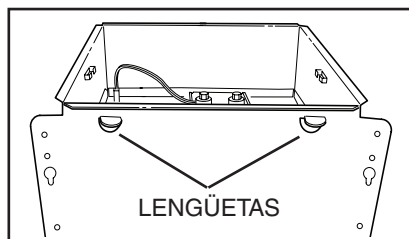


Los conductos desde este ventilador hacia el exterior del edificio tienen un gran efecto sobre el flujo de aire, el ruido y el uso de energía del ventilador. Utilice el tramo de conductos más corto y recto posible para obtener un desempeño óptimo y evite instalar el ventilador con conductos menores que los recomendados. El aislamiento alrededor de los conductos puede reducir la pérdida de energía e inhibir el desarrollo de moho. Los ventiladores instalados en conductos existentes podrían no obtener el flujo de aire nominal.

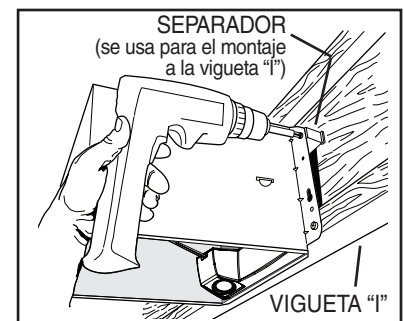


## INSTALE LA CUBIERTA Y EL CONDUCTO

1. Con un alicate, doble las **LENGÜETAS** de la cubierta a 90°.



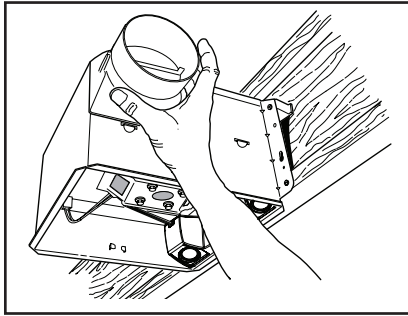
2. Sostenga la cubierta en su lugar de manera que las lengüetas de la cubierta hagan contacto con la parte inferior de la viga. Para el montaje de la cubierta se utilizan cuatro (4) tornillos o clavos. Atornille o clave la cubierta a la viga a través de los orificios más bajos de cada brida de montaje, y seguidamente a través de los más altos.



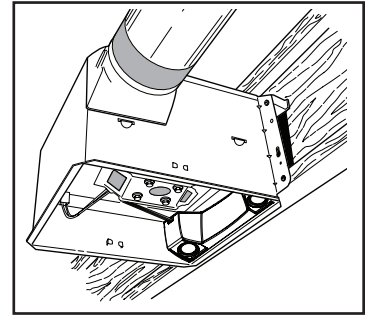
NOTA: El montaje en la **VIGUETA "I"** (mostrada) requiere utilizar **SEPARADORES** (incluidos) entre el orificio más alto de cada brida de montaje y la viga "I".



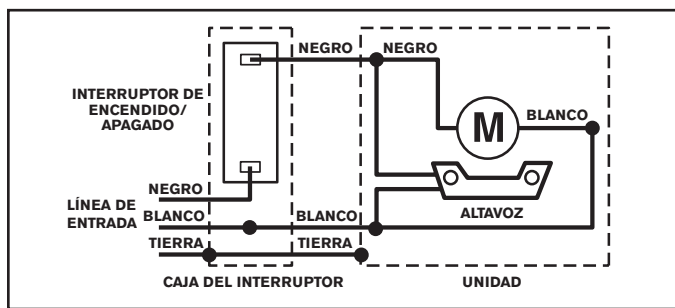
3. Conecte a presión el conector del regulador de tiro/conducto en la cubierta. Asegúrese de que el conector esté al ras con la parte superior de la cubierta y que la aleta del regulador se cierre al caer.



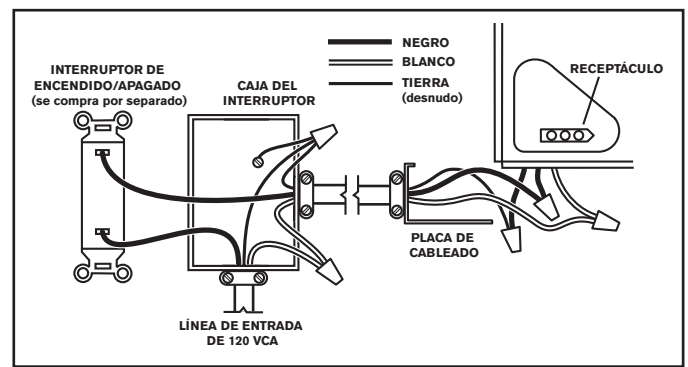
4. Conecte el conducto redondo de 10 cm (4 pulg.) al conector del regulador/conducto. Extienda el conducto hacia una tapa de techo o tapa de pared. Encinte todas las conexiones de los conductos para fijarlas y hacerlas herméticas al aire.



## CONEXIÓN ELÉCTRICA



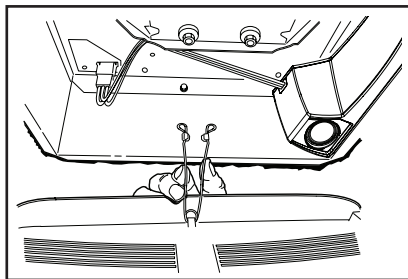
1. Extienda el cableado de la casa de 120 VCA al lugar de la instalación. Utilice una conexión aprobada por UL para afianzar el cableado de la casa a la placa de cableado. Conecte los cables tal como se ilustra en los diagramas de cableado.



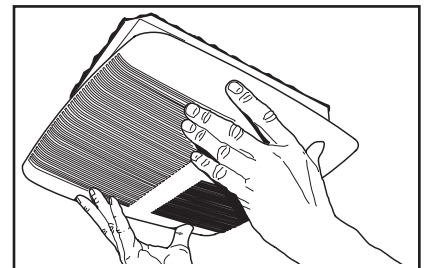
## TERMINE EL CIELO RASO E INSTALE LA REJILLA

- ANTES DE TERMINAR EL CIELO RASO:**
- Para evitar daños a los cojinetes del motor e impulsores ruidosos o desbalanceados, o daños en el altavoz, tal vez desee cubrir la abertura de la cubierta, para proteger los diafragmas de los altavoces contra rociados de yeso, polvos de construcción, etc.

1. Instale el material del cielo raso. Recorte alrededor de la cubierta.
2. Apriete los resortes de la rejilla e insértelos en las ranuras que se encuentran a cada lado de la cubierta.



3. Empuje la rejilla contra el cielo raso.



4. Active la electricidad al ventilador.
5. Vea las instrucciones de funcionamiento del altavoz con Bluetooth® en la sección de Funcionamiento del altavoz con Bluetooth®.

## NOTAS SOBRE EL SERVICIO

**Para quitar el conjunto del ventilador:**  
 Retire el conjunto del altavoz (vea más abajo). Desconecte el motor. Retire el tornillo de apriete manual (10) de la brida de la placa del motor. Encuentre la **LENGÜETA** única en la placa del motor (situada junto al receptáculo). Empuje hacia arriba cerca de la lengüeta de la placa del motor al mismo tiempo que empuja hacia afuera el costado de la cubierta. O bien, introduzca un desarmador de punta plana en la ranura de la cubierta (junto a la lengüeta) y dele vuelta.

**Para quitar el conjunto del altavoz:**  
 Desconecte el motor del cableado del altavoz. Desconecte el cableado del altavoz del panel de alambres. Retire (2) tornillos del soporte del altavoz. Desenganche el soporte del altavoz del soporte del motor y retire el altavoz.

## Tecnología inalámbrica *Bluetooth*® OPERACIÓN DEL ALTAVOZ

### Para conectar por primera vez el altavoz con tecnología inalámbrica *Bluetooth*® de Broan-NuTone:

1. Para reproducir sus archivos personales de música o audio, necesita un teléfono inteligente, tableta o algún otro dispositivo similar habilitado con tecnología inalámbrica *Bluetooth*.
2. Antes de conectarlo al altavoz, configure su dispositivo con un volumen bajo a medio.
3. Asegúrese de que el ventilador esté **ENCENDIDO** y que el dispositivo habilitado con tecnología inalámbrica de *Bluetooth*® se encuentre a menos de 10 metros (aproximadamente 33 pies) del altavoz/ventilador.
4. Acoplamiento de su dispositivo habilitado con tecnología inalámbrica *Bluetooth*® y el altavoz:
  - a. Para iPad/iPhone/iPod touch:
    - i. Desde la página principal del iPad/iPhone/iPod touch, toque **Settings** (Configuración).
    - ii. Desde Settings, toque **General** (si tiene el iOS 7 o posterior, puede saltarse este paso).
    - iii. Desde General, toque **Bluetooth**.
    - iv. Mueva el control deslizante de *Bluetooth*® a **ON**/verde (si todavía no está en ON - activado). Cuando haga esto, aparecerá una lista de dispositivos con tecnología inalámbrica *Bluetooth*® que puede descubrir.
    - v. El altavoz Broan-NuTone tiene el identificador *Bluetooth*® "**Sensonic™ Vent Fan**". Este identificador debe encontrarse en la lista de **Discoverable Devices** (Dispositivos que puede descubrir). De no ser así, apague el ventilador, enciéndalo, desactive *Bluetooth*® y luego actívelo.
      - Si todavía no aparece en la lista "Sensonic™ Vent Fan", consulte el manual del propietario para ver su dispositivo y siga el procedimiento para acoplar/conectar un dispositivo con tecnología inalámbrica *Bluetooth*®.
    - vi. Toque "**Sensonic™ Vent Fan**" para completar el acoplamiento del altavoz con tecnología inalámbrica *Bluetooth*® con su dispositivo Apple.
  - b. Para teléfonos/tabletas Android:
    - i. Desde la página principal del teléfono inteligente/tableta, toque **Settings** (Configuración).
    - ii. Desde el menú Settings, vaya a **Wireless & Controls, Wireless & Networks** (Inalámbrico y controles, inalámbrico y redes) o algo similar.
    - iii. Encuentre **Bluetooth**®, **Bluetooth® Settings** o algo similar y toque *Bluetooth*® o mueva el control deslizante de *Bluetooth*® a **ON** (si no está ya en activado).
    - iv. En la pantalla de *Bluetooth*®, toque "**Scan for Devices**", "**Search for Devices**" (Explorar por si hay dispositivos, Buscar dispositivos) o algo similar.
    - v. El altavoz Broan-NuTone tiene el identificador *Bluetooth*® "**Sensonic™ Vent Fan**". Este identificador debe encontrarse en la lista de **Available Devices** (Dispositivos disponibles). De no ser así, apague el ventilador, enciéndalo de nuevo y repita el procedimiento de acoplamiento.
      - Si todavía no aparece en la lista "**Sensonic™ Vent Fan**", consulte el manual del propietario para ver su dispositivo Android y siga el procedimiento para acoplar/conectar un dispositivo *Bluetooth*®.
    - vi. Toque "**Sensonic™ Vent Fan**" para completar el acoplamiento del altavoz con tecnología inalámbrica *Bluetooth*® con su dispositivo Android.

- c. Para todos los demás dispositivos habilitados con tecnología inalámbrica *Bluetooth*®:
    - i. Siga las instrucciones incluidas con su teléfono o tableta habilitada con tecnología inalámbrica *Bluetooth*® para configurarla para que busque accesorios con *Bluetooth*®.
    - ii. La mayoría de los dispositivos *Bluetooth*® le pedirán que vaya a la pantalla "Paired Devices" (Dispositivos acoplados) (o similar) y que SELECCIONE "Search for Devices" (Buscar dispositivos) o algo similar.
    - iii. El altavoz Broan-NuTone tiene el identificador *Bluetooth*® "**Sensonic™ Vent Fan**". Este identificador debe encontrarse en la lista de **Available Devices, Discoverable Devices** (Dispositivos disponibles, Dispositivos descubribles) o algo similar. De no ser así, apague el ventilador, enciéndalo de nuevo y repita el procedimiento de acoplamiento.
5. Abra el programa de audio en su dispositivo y reproduzca su música u otros archivos de audio. El archivo de audio debe reproducirse en los altavoces del ventilador con *Bluetooth*®.
  6. Cuando termine de reproducir/escuchar sus archivos de audio, desconecte del altavoz apagando el ventilador, desactivando la tecnología inalámbrica *Bluetooth*® del dispositivo (teléfono inteligente, tableta, etc.) o simplemente aléjese. La tecnología inalámbrica *Bluetooth*® se desconectará automáticamente cuando el dispositivo esté lejos del alcance del altavoz, lo cual debe ocurrir cuando el dispositivo esté aproximadamente a 10 metros (33 pies) del altavoz.

### Para conectarse al altavoz con tecnología inalámbrica *Bluetooth*® cada vez subsiguiente (después de realizar la conexión inicial):

1. El altavoz Sensonic™ solo puede reproducir archivos de audio de un dispositivo con tecnología inalámbrica *Bluetooth*® a la vez, por lo que se debe **DESCONECTAR** un dispositivo (pero no necesariamente **DESACOPLAR**) antes de usar el altavoz con otro dispositivo.
2. Si su dispositivo *Bluetooth*® quedó **DESCONECTADO**, pero no **DESACOPLADO** del altavoz la última vez que lo usó, entonces debe conectarse automáticamente la próxima vez que el dispositivo esté dentro de rango del altavoz, a menos que el altavoz ya esté **CONECTADO** a otro dispositivo.
  - a. Si su dispositivo no se **CONECTA** automáticamente con el altavoz, entonces encuentre su lista de "dispositivos acoplados" o similar, y **TOQUE** "Sensonic Vent Fan" (Ventilador Sensonic) para reconectarlo con el altavoz Sensonic™.
3. Si su dispositivo con tecnología inalámbrica *Bluetooth*® fue **DESACOPLADO** del altavoz la última vez que lo usó, debe seguir el procedimiento de conexión en la sección anterior para **ACOPLAR** su dispositivo con el altavoz.
4. Abra el programa de audio en su dispositivo y reproduzca su música u otros archivos de audio. El archivo de audio debe reproducirse en los altavoces del ventilador con *Bluetooth*®.
5. Cuando termine de reproducir/escuchar sus archivos de audio, desconecte del altavoz apagando el ventilador, desactivando la tecnología inalámbrica *Bluetooth*® del dispositivo (teléfono inteligente, tableta, etc.) o simplemente aléjese. La tecnología inalámbrica *Bluetooth*® se desconectará automáticamente cuando el dispositivo esté lejos del alcance del altavoz, lo cual debe ocurrir cuando el dispositivo esté aproximadamente a 10 metros (33 pies) del altavoz.

