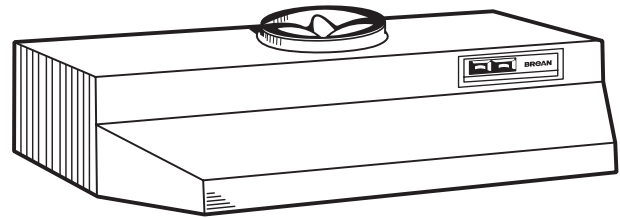


42000 SERIES TWO-SPEED 7" ROUND RANGE HOOD

(42000 and 42000D Models)



Quality construction and ease of installation make the 42000 the popular choice in vertically-ducted economy hoods.

FEATURES

- Max. blower CFM*: 230
- 120 V, 2.0 amps, RPM: 2750
- Rocker-type fan and light switches
- Polymeric blade and light lens (accepts up to 75 W bulb)
- Washable aluminum filter
- Mitered sides and hemmed bottom for safety and good looks
- Model BP87Q double-leaf damper (available separately or included with 42000D Series)
- Contemporary styling in White, Almond and Stainless Steel Available in 30" and 36" widths
- **Special Order Color** - Black (30" and 36" only)
- **Special Order Size** - 24" and 42" (White, Biscuit, Almond and Stainless Steel only)



HVI-2100 CERTIFIED RATINGS comply with new testing technologies and procedures prescribed by the Home Ventilating Institute, for off-the-shelf products, as they are available to consumers. Product performance is rated at 0.1 in. static pressure, based on tests conducted in a state-of-the-art test laboratory. Sones are a measure of humanly-perceived loudness, based on laboratory measurements.

* Max. blower CFM indicates the performance of the hood blower in open air.

TYPICAL SPECIFICATION

Range hood shall be Broan Model 42000.

Unit shall be ducted vertically into 7" round ductwork.

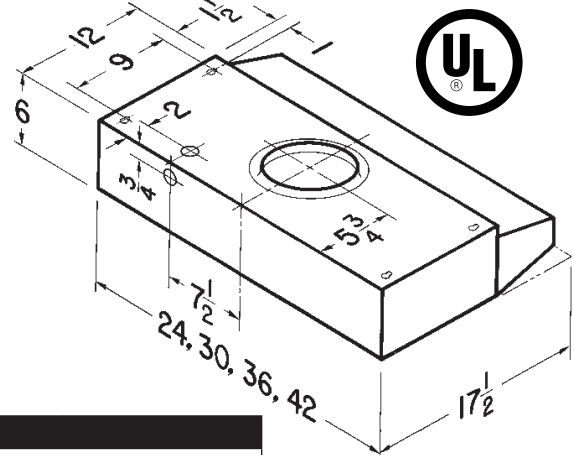
Motor to be permanently lubricated. RPM not to exceed 2750.

Unit shall have two-speed fan switch and separate light switch.

Sides shall be mitered and bottom edge hemmed - with no sharp edges.

Air delivery shall be no less than 190 CFM and sound level no greater than 6.0 sones. All air and sound ratings shall be certified by HVI.

Unit shall be U.L. listed.



HVI PERFORMANCE

Duct Orientation	Size	Damper	Sones		CFM	
			Normal	High	Normal	High 0.1 in. w.g.
Vertical - Round	7 in.	Sold separately	3.0	6.0	130	190

Tested to show compliance with HUD/FHA Minimum Property Standards for Mechanical Ventilation.

Broan-NuTone LLC, 926 West State Street, Hartford, Wisconsin, USA 53027 broan-nutone.com 800-558-1711

REFERENCE	QTY.	REMARKS	Project
			Location
			Architect
			Engineer
			Contractor
			Submitted by
			Date