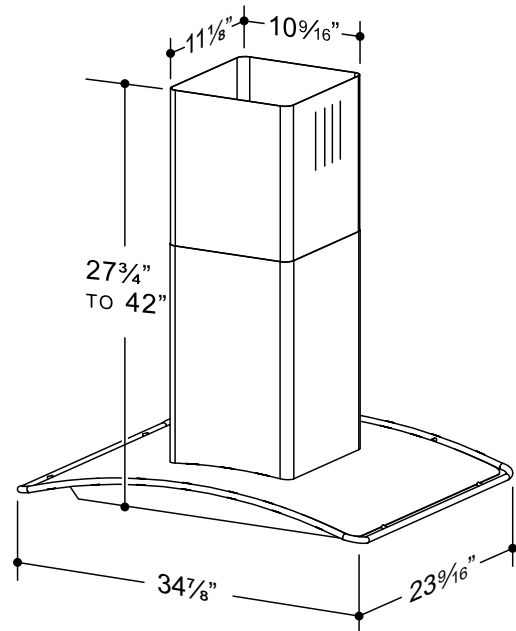


SPECIFICATIONS

MODEL	B59000 SERIES
VOLTS	120 VAC
Hz	60
AMPS	3.3
MAX. BLOWER CFM*	450
4 HALOGEN BULBS	TYPE JC, 20 W, 12 V WITH G4 BASE
OPTIONAL ACCESSORY	ARP6 AIR FLOW REDUCER (LIMITS THE AIRFLOW OF THE HOOD UNDER 300 CFM)
WARRANTY	1 YEAR

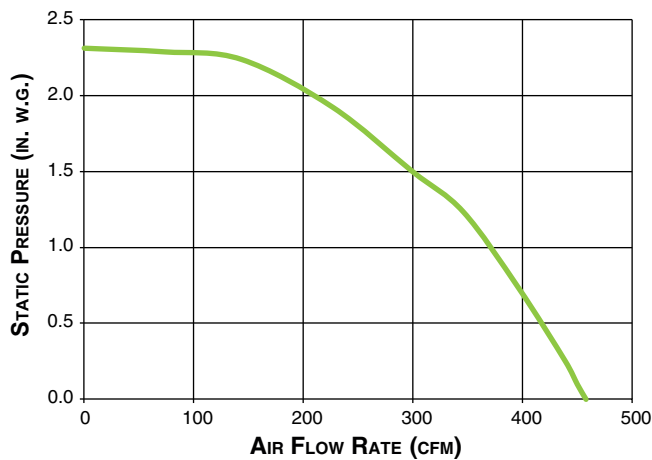
DIMENSIONS



HVI PERFORMANCE

Duct Orientation	Size	Damper	Sones		CFM		
			Normal	High	Normal	High 0.25 in. w.g.	High 0.1 in. w.g.
Vertical - Round	6 in.	Included	2.5	8.5	190	439	450

AIR FLOW PERFORMANCE



HVI-2100 CERTIFIED RATINGS comply with new testing technologies and procedures prescribed by the Home Ventilating Institute, for off-the-shelf products, as they are available to consumers. Product performance is rated at 0.1 in. (2.54 mm) static pressure, based on tests conducted in a state-of-the-art test laboratory. Sones are a measure of humanly-perceived loudness, based on laboratory measurements.

* Max. blower CFM indicates the performance of the hood blower in open air.



VENMAR VENTILATION ULC, DRUMMONDVILLE, QUÉBEC WWW.BROAN-NUTONE.CA 1-877-896-1119

PROJECT	REMARKS
LOCATION	
MODEL No.	
QTY.	
SUBMITTED BY	
DATE	