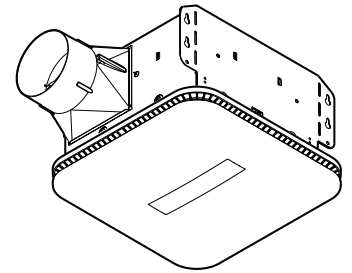


# MODEL AERN110DCSL FLEX DC™ SERIES HUMIDITY SENSING FAN / LIGHT



**A modern-styled, high performance fan, with sensing circuitry, that "knows" when to ventilate the room.**

### FEATURES

#### BLOWER:

- Plug-in, permanently lubricated, brushless DC motor - engineered for continuous operation
- Dynamically balanced centrifugal blower wheel for quiet, efficient performance
- Low RPM for quiet operation

#### HOUSING:

- Rugged, 26 gauge, galvanized steel construction
- Polymeric, 4" damper / duct connector with tapered sleeve and no metallic clatter
- 5-3/4" height allows for 2" x 6" ceiling installations
- Sturdy, easy, four-point mounting directly to joist
- Optional snap-on flange kit

#### GRILLE:

- Polymeric construction
- Innovative design - the result of extensive research with designers and consumers
- 11-Watt integrated LED lighting for energy efficiency
- 3500K color temperature provides soft white light - ideal for bathroom illumination
- LED lasts up to 25,000 hours for maintenance-free convenience

#### DIMMING CONTROLS :

- For a list of compatible dimming controls, see the RESOURCES link for Model AERN110DCSL at [www.nutone.com](http://www.nutone.com)
- Each application is unique and various factors such as load, common neutrals or other electrical products on the circuit can, in certain instances, cause variance in system performance
- Dimmer model numbers vary slightly depending on color, packaging type, etc. such that variations of model numbers may be suitable. Consult dimming system manufacturer for additional support in operation

#### AUTOMATIC CONTROL:

- Humidity control automatically turns fan ON when either of these conditions is detected:
  - a rapid to moderate (user adjustable) increase of humidity
  - humidity above user-adjustable set-point (50%-80% RH)
- Two wire manual operation for odor control - Turns fan ON when power line through wall switch is cycled ON, OFF and back ON
- Remains ON for a user-adjustable 5 to 60 minutes after humidity has stabilized and is below set-point or after manually initiated through power line cycling
- Saves energy because unit runs only for the time required. A unit controlled with a wall timer may keep fan ON longer than required or turn it OFF before room is sufficiently ventilated

U.L. Listed for use over bathtubs and showers when connected to a GFCI protected branch circuit (ceiling mount only)

U.L. Listed for use in insulated ceilings (Type I.C.)

3-Year Warranty



JA8-2019

Broan Hartford, Wisconsin [www.nutone.com](http://www.nutone.com) 888-336-3948

REFERENCE	QTY.	REMARKS	Project
			Location
			Architect
			Engineer
			Contractor
			Submitted by <span style="float: right;">Date</span>

# PERFORMANCE RATINGS - MODEL AERN110DCSL FLEX DC™ SERIES HUMIDITY SENSING FAN / LIGHT

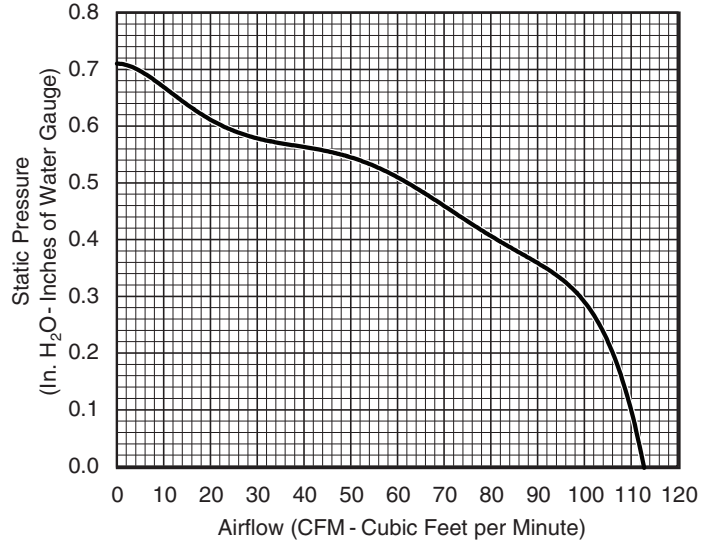
## HVI PERFORMANCE

Static Pressure (In. H <sub>2</sub> O)	Airflow (CFM)	Sound (Sones)	Power (Watts)	Efficacy (CFM/W)
0.1	110	0.9	10.6	10.4
0.25	105	1.4	14.9	7.0



HVI-2100 CERTIFIED RATINGS comply with new testing technologies and procedures prescribed by the Home Ventilating Institute, for off-the-shelf products, as they are available to consumers. Product performance is rated at 0.1 in. static pressure, based on tests conducted in a state-of-the-art test laboratory. Sones are a measure of humanly-perceived loudness, based on laboratory measurements.

## AIR FLOW PERFORMANCE

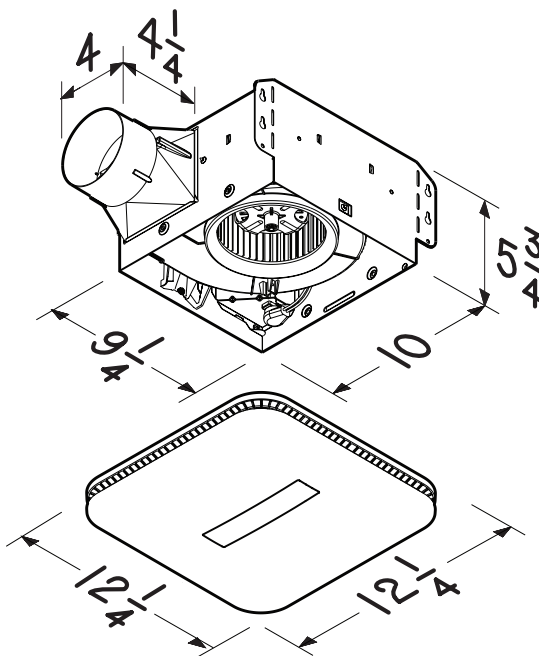


## ELECTRICAL & WEIGHT

Volts	Hz	Amps	Shipping Weight
120	60	0.4	8.5 lb.



JA8-2019



# NuTone®

Broan Hartford, Wisconsin www.nutone.com 888-336-3948