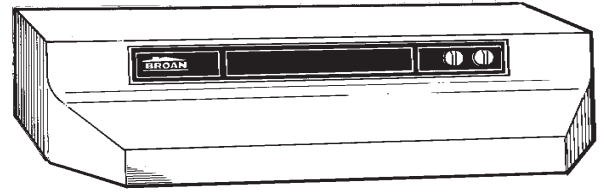


MODEL 46000 4-WAY CONVERTIBLE RANGE HOOD



Deluxe features in our smaller shell - offers the most hood for the money.

FEATURES

- Infinite speed fan control
- Polymeric blade and light lens (accepts up to 75 W bulb)
- Washable aluminum filter
- Converts to non-ducted by removing cover plate from control panel and installing the non-ducted filter (purchase separately)
- Mitered sides and hemmed bottom for safety and good looks
- 3¼" x 10" damper/duct connector included
- 7" round duct adapter plate included. 7" round damper purchase separately.
- Contemporary styling in White, Almond, Biscuit and Stainless Steel
- 120 volts, 2.5 amps, RPM: 3150
- Max blower CFM*: 260
- Available in 24", 30", 36" and 42" widths
- **Special Order Color** - Black (24", 30" and 36" only)



HVI-2100 CERTIFIED RATINGS comply with new testing technologies and procedures prescribed by the Home Ventilating Institute, for off-the-shelf products, as they are available to consumers. Product performance is rated at 0.1 in. static pressure, based on tests conducted in a state-of-the-art test laboratory. Sones are a measure of humanly-perceived loudness, based on laboratory measurements.

* Max. blower CFM indicates the performance of the hood blower in open air.

TYPICAL SPECIFICATION

Range hood shall be Broan Model 46000.

Unit shall be convertible between ducted (using a washable aluminum filter) and non-ducted (using a non-ducted filter).

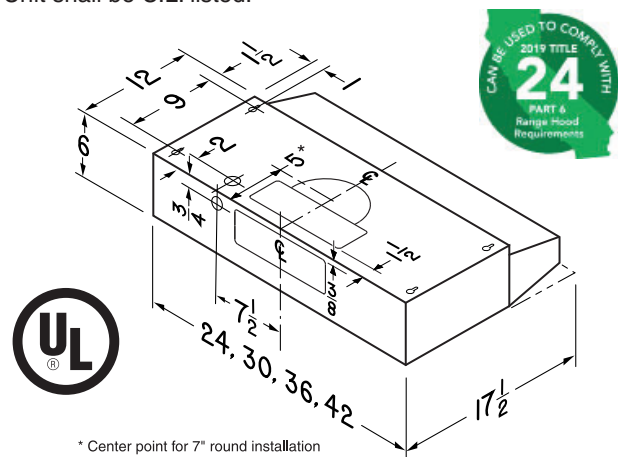
Motor to be permanently lubricated. RPM not to exceed 3150.

Unit shall have infinite speed fan control with separate light/night light switch.

Sides shall be mitered and bottom edge hemmed - with no sharp edges.

See below table for airflow and sound level performances.

Unit shall be U.L. listed.



HVI PERFORMANCE

Duct Orientation	Size	Damper	Sones		CFM		
			Normal	High	Normal	High 0.25 in. w.g.	High 0.1 in. w.g.
Vertical - Rectangular	3¼ in. x 10 in.	Included	2.5	7.5	100	110	190
Horizontal - Rectangular	3¼ in. x 10 in.	Included	3.0	7.5	100	110	190
Vertical - Round	7 in.	Sold separately	2.0	7.5	100	110	220

Broan-NuTone LLC, 926 West State Street, Hartford, WI 53027 (1-800-558-1711) www.broan-nutone.com

REFERENCE	QTY.	REMARKS	Project
			Location
			Architect
			Engineer
			Contractor
			Submitted by Date