



THIS IN-WALL DEHUMIDIFIER FEATURES A SLIM PROFILE TO MOUNT BETWEEN INTERIOR STUDS. THE **B33DHW** IS DESIGNED TO CONTROL MOISTURE INCLUDING IN MULTI-FAMILY APPLICATIONS.

PERFORMANCE

Water Removal	33 Pints / 4.125 Gallons
Efficiency	4.25 Pints/kWh
Energy Factor	2.0 L/kWh
Blower	155 CFM @ 0.0" WG
Operating Temperature	49°F Min., 95°F Max.
Sizing	Up to 1,200 Sq. Ft. / 12,000 Cu. Ft.

ELECTRICAL

Power	324 watts @ 80°F and 60% RH
Supply Voltage	120 VAC – 1 phase – 60 Hz
Current Draw	2.8 amps
Power Cord	10', 115 VAC, Ground or Hard-Wired
Circuit Requirement	15 Amps



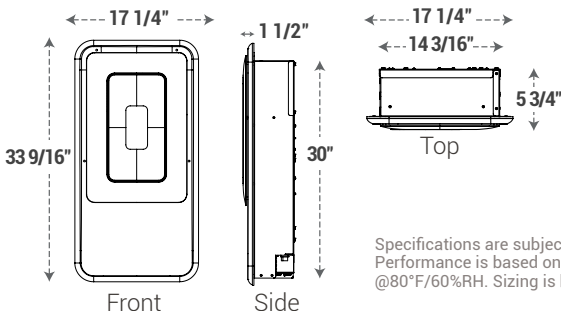
Plug Type B
(USA, MEX, CAN, JPN)

SPECIFICATIONS

Sound Rating	46 dBA
Drain Connection	3/4" O.D.
Drain Hose	10' Condensate Hose (3/4" ID)
Refrigerant	R134A, 10 oz.
Unit Dimensions	14.1875"W x 30"H x 5.75"D
Unit Weight	39 lbs.

SHIPPING

Shipping Dimensions	20"W x 37"H x 11"D
Shipping Weight	57 lbs.
Pallet Quantity	8 per pallet
Shipping Options	UPS or LTL



Specifications are subject to change without notice. Performance is based on pints / gallons per day @80°F/60%RH. Sizing is based on 10 foot ceiling height.

FEATURES

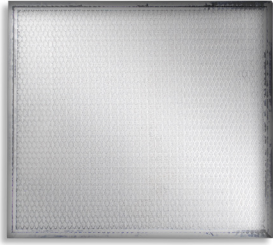
- + Designed for quiet operation
- + Washable air filter
- + Ability to be hardwired into existing electrical or directly plugged into a 110v outlet
- + Designed to drain into a hub-drain or plumbing line
- + Internally mounted digital dehumidistat

Project:	
Location:	
Qty:	
Architect:	
Engineer:	
Contractor:	
Submitted by:	Date:
Remarks:	



► ACCESSORIES

FILTRATION



WASHABLE FILTER

- + For large particle filtration
- + Easy to clean every 1-2 months
- + Simple to remove and replace

INSTALLATION



SURFACE MOUNT KIT

- + Slim profile
- + Easy installation
- + Ideal for masonry or CMU block wall applications or when through-the-wall installation is not available
- + Powder-coated metal provides polished look to blend into any environment



2X4 WALL MOUNT BEZEL KIT

- + Slim profile
- + Easy installation
- + Ideal for applications with a 2x4 cavity without having to cut a hole in both sides of the drywall
- + Powder-coated metal provides polished look to blend into any environment



REAR PANEL KIT

- + Easy installation
- + Ideal for 2x4 cavity applications that require covering the back of the dehumidifier or to conceal gaps in drywall
- + Powder-coated metal attaches to rear of dehumidifier providing a polished look to blend into any environment

PARTS

S4036923	Power Board	S4038144	Diffuser with Filter and Sound Dampening Insulation
S4038072	Control Board	S4038001	3/4" Crush Resistant Hose (10')
S4037714	Filter	S4037916	Tamper Resistant Screws
S4037585	Blower	S4035235-08	Compressor Capacitor
S4036848	Temperature / RH Sensor	S4035235-01	Blower Capacitor
S4037996	Hose Clamp	S4038145	Defrost Probe Kit

ORDERING INFORMATION

PART NO. ITEM

DHA4037714 Washable Filter

DHA4039155 Washable Filter, 6-Pack

PART NO. ITEM

DHA4037766 Surface Mount Kit

PART NO. ITEM

DHA4037767 2x4 Wall Mount Bezel Kit

PART NO. ITEM

DHA4037768 Rear Panel Kit

BROAN®

926 West State Street, Hartford, WI 53027

www.Broan-Nutone.com 800-558-1711