

# USER AND INSTALLER MANUAL

K10 - 50H HRV (TP) (44600)



**INSTALLER: READ THESE INSTRUCTIONS  
SAVE THEM FOR USER  
RESIDENTIAL USE ONLY**



Please take note that this manual uses the following symbols to emphasize particular information:

**⚠ WARNING**

**Identifies an instruction which, if not followed, might cause serious personal injuries including possibility of death.**

**CAUTION**

**Denotes an instruction which, if not followed, may severely damage the unit and/or its components.**

NOTE: Indicates supplementary information needed to fully complete an instruction.

## LIMITATION

For residential (domestic) installation only. Installation work and electrical wiring must be done by a qualified person in accordance with all applicable codes and standards, including fire-rated construction codes and standards.

## ⚠ WARNING

### **TO REDUCE THE RISK OF FIRE, ELECTRIC SHOCK, OR INJURY TO PERSON(S) OBSERVE THE FOLLOWING:**

1. Use this unit only in the manner intended by the manufacturer.
2. Before servicing or cleaning this unit, disconnect power cord from electrical outlet.
3. This unit is not designed to provide combustion and/or dilution air for fuel-burning appliances.
4. When cutting or drilling into a wall or ceiling, do not damage electrical wiring and other hidden utilities.
5. Do not use this unit with any solid-state speed control device other than those specified in section 7.1.
6. This unit must be grounded. The power supply cord has a 3-prong grounding plug for your personal safety. It must be plugged into a mating 3-prong grounding receptacle, grounded in accordance with the national electrical code and local codes and ordinances. Do not remove the ground prong. Do not use an extension cord.
7. Do not install in a cooking area or connect directly to any appliances.
8. Do not use to exhaust hazardous or explosive materials and vapors.
9. When performing installation, servicing or cleaning this unit, it is recommended to wear safety glasses and gloves.
10. When applicable local regulation comprises more restrictive installation and/or certification requirements, the aforementioned requirements prevail on those of this document and the installer agrees to conform to these at his own expense.
11. Due to the weight of the unit, two installers are recommended to perform installation.

## CAUTION

1. To avoid prematurely clogged filters, turn the unit OFF during construction or renovation.
2. Please read specification label on product for further information and requirements.
3. Be sure to duct air outside – Do not intake/exhaust air into spaces within walls or ceiling or into attics, crawl spaces, or garage. Do not attempt to recover the exhaust air from a dryer or a range hood.
4. Intended for residential installation only in accordance with the requirements of NFPA 90B (for a unit installed in U.S.A.) or Part 9 of the National Building Code of Canada (for a unit installed in Canada).
5. Do not run any air ducts directly above or within 2 ft (0.61 m) of a furnace or its supply plenum, boiler, or other heat producing appliance. If a duct has to be connected to the furnace return plenum, it must be connected 10' (3.1 m) away from plenum's connection to the furnace.
6. The ductwork is intended to be installed in compliance with all applicable local and national codes.
7. When leaving the house for a long period of time (more than two weeks), a responsible person should regularly check if the unit operates adequately.
8. If the ductwork passes through an unconditioned space (e.g.: attic), the unit must operate continuously except when performing maintenance and/or repair. Also, the ambient temperature of the house should never drop below 18°C (65°F).
9. At least once a year, the unit mechanical and electronic parts should be inspected by qualified service personnel.
10. Do not use your unit during construction or renovation of your house or when sanding drywall. Certain types of dust and vapors may damage your system.
11. During the winter season, make sure that the outside intake and exhaust hoods are free from any snow. It is important to check your unit during a big snow storm, so it doesn't draw in any snow. If this is the case, please turn the unit OFF for a few hours.
12. Since the electronic control system of the unit uses a microprocessor, it may not operate correctly because of external noise or very short power failure. If this happens, unplug the unit and wait approximately 10 seconds. Then, plug the unit in again.
13. Do not make excessive use of fragrance appliances or chemicals since some may damage the unit components material.

# TABLE OF CONTENTS

<b>FOR THE USER .....</b>	<b>4</b>	<b>7. CONTROLS .....</b>	<b>12</b>
<b>1. USING THIS UNIT .....</b>	<b>4</b>	7.1 Electrical connection to optional controls .....	12
1.1 Your ventilation system .....	4	7.1.1 Altitude or Platinum .....	12
1.2 Integrated Control .....	4	7.1.2 Deco-Touch .....	12
<b>2. MAINTENANCE .....</b>	<b>5</b>	7.1.3 Lite-Touch Constructo, Simple-Touch Constructo, Lite-Touch Bronze or Simple-Touch Bronze .....	13
2.1 Quarterly Maintenance .....	5	7.1.4 Constructo or Bronze .....	13
2.2 Annual Maintenance .....	5	7.1.5 Optional Auxiliary Controls .....	13
<b>3. USER'S TROUBLESHOOTING .....</b>	<b>5</b>	7.2 Setting Extended Defrost .....	13
<b>4. WARRANTY .....</b>	<b>6</b>	7.3 Electrical Connection to the Furnace .....	14
<b>FOR THE INSTALLER .....</b>	<b>7</b>	<b>8. BALANCING THE UNIT .....</b>	<b>14</b>
<b>5. AIR DISTRIBUTION .....</b>	<b>7</b>	<b>9. WIRING DIAGRAMS .....</b>	<b>15</b>
<b>6. INSTALLATION .....</b>	<b>7</b>	9.1 K10 - 50H HRV (TP) Units .....	15
6.1 Locating the Unit .....	7	<b>10. SERVICE PARTS .....</b>	<b>16</b>
6.2 Installing the ductwork and registers .....	8	<b>11. TROUBLESHOOTING .....</b>	<b>17</b>
6.2.1 Fully ducted system .....	8		
6.2.2 Central draw point system - Supply Side .....	8		
6.2.3 Central draw point system - Return Side .....	9		
6.2.4 Simplified Installation - Supply/Return .....	9		
6.2.5 Simplified Installation - Return/Return .....	9		
6.3 Installing the Exterior Hoods .....	10		
6.4 Installing Dual Exterior Hood Using Tandem®* Transition Kit (optional) .....	10		
6.5 Connecting the Ducts to the Unit .....	11		
6.6 Connecting the Drain .....	11		



## PRODUCT REGISTRATION CARD - FICHE D'ENREGISTREMENT DU PRODUIT

**IMPORTANT:** Please complete and return this questionnaire within 10 days of your purchase to the address below. Note that only the questions on this side of the page are mandatory. Your answers will be used for market research studies and reports, and will help us to better serve you in the future. **IMPORTANT:** Veuillez remplir ce questionnaire et nous le retourner dans les 10 jours suivant votre achat à l'adresse inscrite en bas de la page. Veuillez noter que seules les questions de ce côté-ci de la page sont obligatoires. Vos réponses serviront à des études de marché et nous aideront à mieux vous servir dans l'avenir.

First name - Prénom		Last name - Nom de famille		
<input type="text"/>		<input type="text"/>		
Address - Adresse	Apt. no. - App.	City - Ville	Province	Postal code - Code postal
<input type="text"/>	<input type="text"/>	<input type="text"/>	<input type="text"/>	<input type="text"/>
Country - Pays	E-mail address - Courriel		Language preferred - Langue de correspondance	
<input type="text"/>	<input type="text"/>		<input type="text"/>	
Telephone no. (day) - N° de téléphone (jour)	Telephone no. (evening) - N° de téléphone (soir)		Date of purchase - Date d'achat	
<input type="text"/>	<input type="text"/>		<input type="text"/>	
Model no. - N° de modèle	Serial no. - N° de série			
<input type="text"/>	<input type="text"/>			

# 1. USING THIS UNIT

## CAUTION

**Before using this unit for the first time, please take the time to carefully read page 2 of this guide to ensure it is used safely and properly.**

### 1.1 YOUR VENTILATION SYSTEM

This unit is designed to provide fresh air to your home while exhausting stale, humid air. By eliminating accumulated pollutants and humidity, it maintains an optimum air quality and an ideal relative humidity. It is equipped with a recovery core that is designed specifically to control excess humidity and reduce ventilation costs by recovering the heat or energy from the exhausted air, and using that same heat or energy to warm the fresh air being supplied. This recovery process is accomplished in such a way that the stale air is never mixed with the fresh air.

When the outdoor temperature is below -5°C (23°F), recovery creates frost in the module. To maintain proper operation, the unit is programmed to defrost the recovery module. The defrost duration and frequency vary according to the outdoor temperature. After defrosting, the unit returns to the operating mode selected by the user.

### 1.2 INTEGRATED CONTROL

#### Unit Booting Sequence

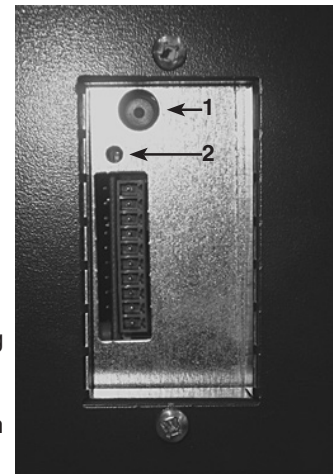
The unit's booting sequence is similar to a personal computer's booting sequence. Each time the unit is plugged in after being unplugged, or after a power failure, it will perform a 30-second booting sequence before starting to operate. **No command will be taken until the unit is fully booted.**

This unit is equipped with an integrated control, located on its upper left side.

- Use the integrated push-button (1) to go from OFF to Low Speed, to High Speed, and back to OFF.
- The color of the LED indicator shows what speed the unit is running in:

LED COLOR	RESULTS
AMBER	Unit is on Low speed
GREEN	Unit is on High speed
NO LIGHT	Unit is OFF or controlled by a main control

- If a problem occurs while the unit is running, the LED indicator (2) will blink. The color of the blinking light indicates the type of error detected. Refer to *Troubleshooting* section.



VE0220

For more convenience, these units can also be controlled using an optional wall control. **When using an optional control, unit must be set to OFF using the integrated push-button.**

For more information about their operation modes, refer to the *Main and auxiliary wall control User Guide*, included with the ventilation unit and also available at [www.vanee.ca](http://www.vanee.ca) or [www.venmar.ca](http://www.venmar.ca).

Would you like to receive occasional informational e-mail offers including product updates and special promotions from us? **Yes/No**

What problem were you trying to solve with your purchase? (Check each one that applies to you.)

- Bad odors
- Respiratory problems
- Excess of humidity
- Temperature standardization
- Lack of fresh air
- Dust
- Mildew
- Allergies
- No specific problems
- Others

Who installed your unit?

- Home builder
- Recommended installer
- Friend / family
- Contractor
- Yourself

Please read the following list of criteria carefully. Indicate the importance of your purchase decision on a scale of 1 (less important) to 5 (most important).

- \_\_\_ Price
- \_\_\_ Warranty
- \_\_\_ Product design
- \_\_\_ Ventilation capacity
- \_\_\_ Filter maintenance indicator
- \_\_\_ Filtration quality
- \_\_\_ Recirculation
- \_\_\_ Heat recovery
- \_\_\_ Controls
- \_\_\_ Ease of cleaning
- \_\_\_ Manufacturer's reputation
- \_\_\_ Ease of use
- \_\_\_ Noise level
- \_\_\_ Other

Aimeriez-vous recevoir plus de détails sur nos promotions, offres de rabais et mises à jour de nos produits? **Oui/Non**

Quels problèmes essayez-vous de résoudre par cet achat? (Cochez toutes les cases pertinentes)

- Mauvaises odeurs
- Problèmes respiratoires
- Excès d'humidité
- Uniformisation de la température
- Manque d'air frais
- Poussières
- Moisissures
- Allergies
- Pas de problèmes spécifiques
- Autres (Précisez SVP)

Qui a installé l'appareil?

- Constructeur de la maison
- Installateur recommandé
- Ami/membre de la famille
- Entrepreneur
- Vous-même

Veillez lire la liste des critères de sélection ci-dessous. Sur une échelle de 1 (étant le moins important) à 5 (étant le plus important), veuillez indiquer l'importance de chacun d'entre eux dans votre décision d'achat.

- \_\_\_ Prix
- \_\_\_ Garantie
- \_\_\_ Design du produit
- \_\_\_ Débit de ventilation
- \_\_\_ Indicateur d'entretien du filtre
- \_\_\_ Qualité de filtration
- \_\_\_ Recirculation
- \_\_\_ Récupération de chaleur
- \_\_\_ Récupération d'énergie
- \_\_\_ Fonctions
- \_\_\_ Facilité de nettoyage
- \_\_\_ Réputation du fabricant
- \_\_\_ Simplicité d'utilisation
- \_\_\_ Niveau de bruit
- \_\_\_ Autres (Précisez SVP)

**Are you connected?** Please do not hesitate to complete the product registration card via our Web site at [www.bnv.ca](http://www.bnv.ca)

**Enregistrez-vous en ligne!** N'hésitez pas à remplir la fiche d'enregistrement du produit sur notre site Internet au [www.bnv.ca](http://www.bnv.ca)

## 2. MAINTENANCE

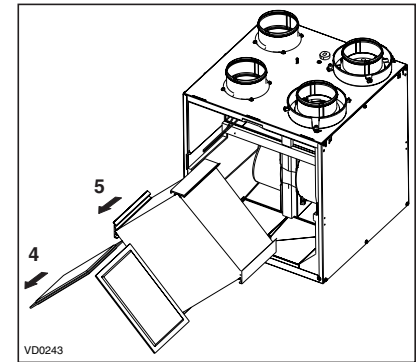
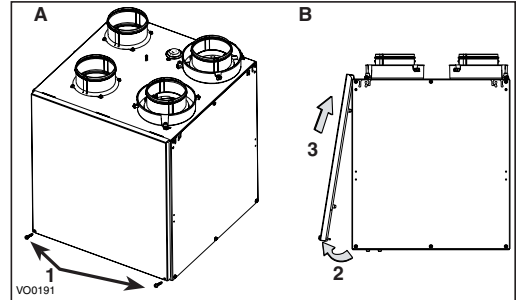
### 2.1 QUARTERLY MAINTENANCE

#### ⚠ WARNING

**Risk of electric shock. Before performing any maintenance or servicing, always disconnect the unit from its power source.**

**When cleaning the unit, it is recommended to wear safety glasses and gloves.**

1. Unplug the unit.
2. Remove the unit door by following these steps:
  - A. Remove both door lower mechanical screws no. 8-32 x 1" (1) and set aside (as illustrated below).
  - B. Open (2) and lift out the door (3) (as illustrated below).
3. Slide out both filters (4) from the unit (as illustrated below).
4. Slide out the core (5) from the unit (as illustrated below).
5. Clean the inside walls of the unit with a clean damp cloth, then wipe with a clean dry one.
6. Wash both core filters under lukewarm water with mild soap. Rinse thoroughly and let dry completely before reinstalling on the core.
7. Remove the dust on the core using a vacuum cleaner and a soft brush attachment.
8. Slide the cleaned core and filters into the unit.



#### CAUTION

**Follow the instructions on the core label to reinstall it correctly.**

9. Reinstall the door. Secure it with both mechanical screws no. 8-32 x 1" previously removed and plug the unit. The unit will return to its previous setting after a 30-second boot sequence.

### 2.2 ANNUAL MAINTENANCE

Perform Quarterly Maintenance up to step 6, and clean the recovery core as follows:

#### K10 - 50H HRV (TP)

Soak the heat recovery core in a mixture of lukewarm water and mild soap. Rinse thoroughly. Shake the core to remove excess water and let it dry.

## 3. USER'S TROUBLESHOOTING

PROBLEM	TRY THIS...
1. Nothing works.	<ul style="list-style-type: none"> <li>• See if the unit is plugged in and receiving power from the house circuit breaker or fuse.</li> </ul>
2. Condensation on windows (air too humid).	<ul style="list-style-type: none"> <li>• Operate the unit on maximum speed ventilation until the situation is corrected.</li> <li>• Leave curtains half-open to allow air circulation.</li> <li>• Store all firewood in a closed room with a dehumidifier or in a well ventilated room, or store the wood outdoors.</li> <li>• Do not adjust the thermostat of your heating system below 18°C (64°F).</li> </ul>
3. Indoor air too dry.	<ul style="list-style-type: none"> <li>• Temporarily use a humidifier.</li> <li>• Operate the unit in recirculation mode (if available).</li> </ul>
4. Air too cold at the air supply grille.	<ul style="list-style-type: none"> <li>• Make sure that the exterior hood is not blocked.</li> <li>• Operate the unit in low speed ventilation, in intermittent or in recirculation mode (if available).</li> <li>• Install a duct heater.</li> </ul>
5. The LED of the integrated control is blinking GREEN.	<ul style="list-style-type: none"> <li>• There is a problem with the thermistor. The unit is still working, but will defrost frequently. Contact your installer.</li> </ul>
6. The LED of the integrated control is blinking AMBER.	<ul style="list-style-type: none"> <li>• There is a problem with the motorized damper. The unit is OFF. For a 2½-hour period, the unit will try to reset the damper every 30 minutes. After 2½ hours, if the problem is not solved, the unit stops trying to reset damper. Contact your installer.</li> </ul>
7. The integrated control push button does not work.	<ul style="list-style-type: none"> <li>• The 30-second boot sequence is not completed.</li> <li>• See Section 1.2.</li> </ul>

Contact customer service at 1-800-567-3855 for any unresolved issue.

## 4. WARRANTY

---

This ventilation unit is a high quality product, built and packaged with care. The manufacturer warrants to the original purchaser of its product, that such products will be free from defects for the period stated below, from date of original purchase. For all units, the warranty covers parts only against any operational defect. This 5-year warranty is subject to performance of the core maintenance according to the recommendations in this manual. The heat recovery core (HRV) has a limited lifetime warranty. If any defect should occur, we urge you to read the user guide carefully. If the problem persists, observe the following rules:

### RULES TO FOLLOW

If the unit is defective, contact your ventilation contractor (see address on your manual's cover page). The contractor will determine with you the reason for the defect, and if needed, do the replacement or repair. If ever it is impossible to reach your ventilation contractor, call 1-800-567-3855 (North America); the personnel will be pleased to give you the phone number of a distributor or service center near you.

### REPLACEMENT PARTS AND REPAIR

In order to ensure your ventilation unit remains in good working condition, you must use the manufacturer's genuine replacement parts only. The manufacturer's genuine replacement parts are specially designed for each unit and are manufactured to comply with all the applicable certification standards and maintain a high standard of safety. Any third party replacement part used may cause serious damage and drastically reduce the performance level of your unit, which will result in premature failing. The manufacturer also recommends that you contact a service depot certified by the manufacturer for all replacement parts and repair.

### BILL OF PURCHASE

No replacement or repair covered by the warranty will be carried out unless the unit is accompanied by a copy of the original bill of purchase. Please retain your original.

### MISCELLANEOUS COSTS

In each case, the labor costs for the removal of a defective part and/or installation of a compliant part will not be covered by the manufacturer.

### CONDITIONS AND LIMITATIONS

These units are **created for residential use only** and must be used in a building as defined below:

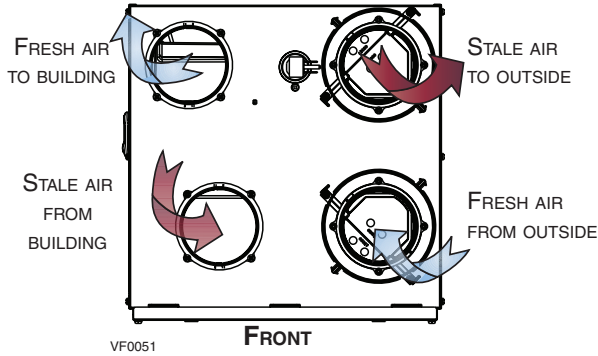
- Building:** All structures zoned and/or erected for the act, process or art of human or animal habitation and/or the storage or warehousing of goods.
- Residential use:** Dwelling, lodging, suite: Building, or part of a building, intended to act as either the domicile to one or several people which can include general sanitary, food consumption and rest facilities. Buildings of only one room or a group of rooms including those occupied by a tenant or owner; comprise the lodgings, the individual rooms of the motels, hotels, rooming/lodging houses, boarding/half-way/foster homes, dormitories, and suites, as well as the stores and the business establishments constituted by only one room in a dwelling.
- Commercial use:** Agricultural establishment, commercial establishment for assembly, care, or detention: Building or part of a building that does not contain a dwelling, situated on land dedicated to agriculture or farming and used primarily to shelter animals, or for the production, the storage or the treatment of agricultural or horticultural products or animal food. Building or part of a building, used for the display or retail of goods, professional or personal services, or commodities. Building, or part of a building used by persons gathering for civic activities, religious or political assembly, tourism, educational/vocational training, recreation or the consumption of food or drink. Building, or part of a building used to shelter persons of impaired physical or psychological states, persons requiring palliative care or medical treatments, or persons for reasons out of their control, cannot escape harm or threat of danger autonomously.
- Industrial use:** Building, or part of a building, used for the assembly, the manufacture, the creation, the treatment, the repair or the storage of products and combustible materials and that contain fuels that when ignited or exploded in sufficient quantity may constitute a risk of fire.

The above warranty applies to all cases where the damage is not a result of poor installation, improper use, mistreatment or negligence, acts of God, or any other circumstances beyond the control of the manufacturer. Furthermore, the manufacturer will not be held responsible for any bodily injury or damage to personal property or real estate, whether caused directly or indirectly by the unit. This warranty supersedes all prior warranties.

## 5. AIR DISTRIBUTION

### CAUTION

Before installing this unit, please take the time to carefully read page 2 of this guide to ensure it is installed safely and properly.



## 6. INSTALLATION

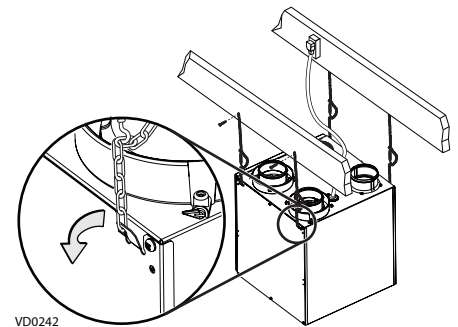
Inspect the exterior of the unit for shipping damage. Make sure that there is no damage to the door, ports, power cord, etc.

### 6.1 LOCATING THE UNIT

Choose an appropriate location for the unit.

- Within an area of the house **where the ambient temperature is between 10°C (50°F) and 50°C (122°F)** (basement, furnace room, closet, etc.)
- Away from living areas (dining room, living room, bedroom), if possible
- So as to provide easy access to the interior of the unit, for maintenance
- Close to an exterior wall, so as to limit the length of the insulated flexible duct to and from the unit
- Away from hot chimneys and other fire hazards
- Allow for a standard 3-prong grounding outlet within 3 feet of the unit
- Close to a drain. If no drain is close by, use a pail to collect run-off

Slightly bend all 4 hooks located on both sides of the unit in order to hang it to ceiling joists with the 4 chains and springs provided. See illustration aside.



### CAUTION

Make sure the unit is level.

**⚠ WARNING**

- **Never install a stale air exhaust register in a closed room where a combustion device operates, such as a gas furnace, a gas water heater or a fireplace.**
- **When performing duct connections, always use approved tools and materials. Respect all corresponding laws and safety regulations. Please refer to your local building code.**

- Keep it simple. Plan for a minimum of bends and joints.
- Keep the length of insulated ducts to a minimum.
- If the house has two floors or more, be sure to plan for at least one exhaust register at the highest lived-in level.

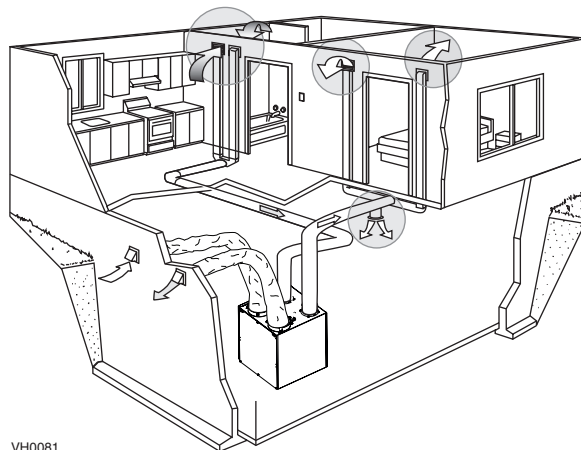
6.2.1 FULLY DUCTED SYSTEM

**Stale air exhaust ductwork**

- Install the stale air exhaust registers where the contaminants are produced: kitchen, living room, etc. Position the registers as far from the stairway as possible and in such a way that the air circulates in all the lived-in spaces in the house.
- If a register is installed in the kitchen, it must be located at least 4 feet (1.2 m) away from the range.
- Install the registers on an interior wall, 6 to 12 inches (152 to 305 mm) away from the ceiling OR in the ceiling.

**Fresh air distribution ductwork**

- Install the fresh air distribution registers in bedrooms, dining rooms, living room and basement.
- Keep in mind that the fresh air registers must be located as far as possible from the stale air registers.
- Install the registers either in the ceiling or high on the walls, with the air flow directed towards the ceiling.
- If a register must be installed in the floor, direct the airflow up the wall.



VH0081

6.2.2 CENTRAL DRAW POINT SYSTEM - SUPPLY SIDE

**CAUTION**

**When performing duct connections to the furnace supply duct, use metal ducts appropriately sized to support the additional airflow produced by the unit.**

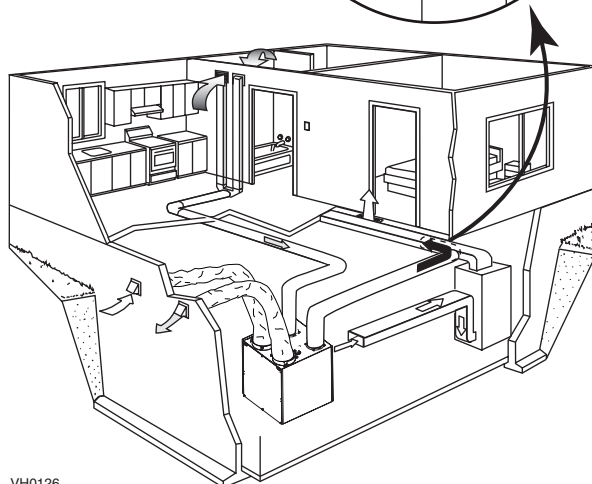
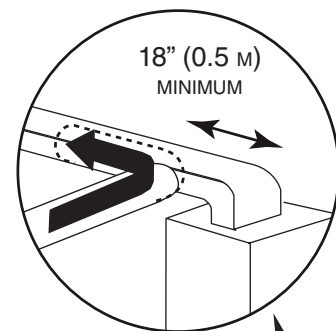
**Stale air exhaust ductwork**

- Same as for fully ducted system (see section 6.2.1)

**Fresh air distribution ductwork**

- Cut an opening into the furnace supply duct at least 18 inches (0.5 m) away from the furnace/air handler.
- Connect this opening to the **Fresh air distribution** port of the unit (use a **metal duct**, see figure aside).
- Make sure the unit duct forms an elbow inside the furnace/air handler ductwork.

NOTE: For this type of installation, it is recommended, however not essential, that the furnace blower be synchronized with the unit.



VH0126



**For the Installer**

6.2.3 CENTRAL DRAW POINT SYSTEM - RETURN SIDE

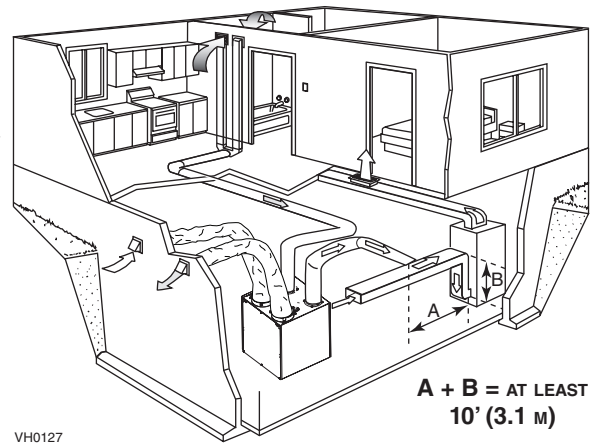
**Stale air exhaust ductwork**

- Same as for fully ducted system (see section 6.2.1)

**Fresh air distribution ductwork**

- Cut an opening into the furnace return duct not less than 10 feet (3.1 m) away from the furnace/air handler (A+B)
- Connect this opening to the **Fresh air distribution** port of the unit (see figure beside)

NOTE: For this type of installation, it is recommended, however not essential, that the furnace blower be synchronized with the unit.



6.2.4 SIMPLIFIED INSTALLATION - SUPPLY/RETURN

**CAUTION**

**When performing duct connections to the furnace supply duct, use metal ducts appropriately sized to support the additional airflow produced by the unit.**

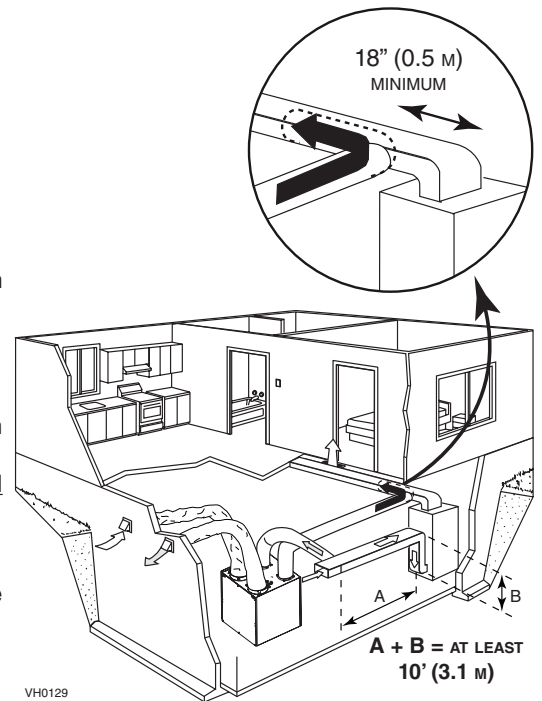
**Stale air intake**

- Cut an opening into the furnace return duct not less than 10 feet (3.1 m) away from the furnace/air handler (A+B).
- Connect this opening to the **Exhaust air from building** port of the unit.

**Fresh air distribution ductwork**

- Cut an opening into the furnace supply duct at least 18 inches (0.5 m) away from the furnace/air handler
- Connect this opening to the **Fresh air distribution** port of the unit (use a **metal duct**, see figure aside)
- Make sure the unit duct forms an elbow inside the furnace/air handler ductwork.

NOTE: For this type of installation, it is recommended, however not essential, that the furnace blower be synchronized with the unit.



6.2.5 SIMPLIFIED INSTALLATION - RETURN/RETURN

**CAUTION**

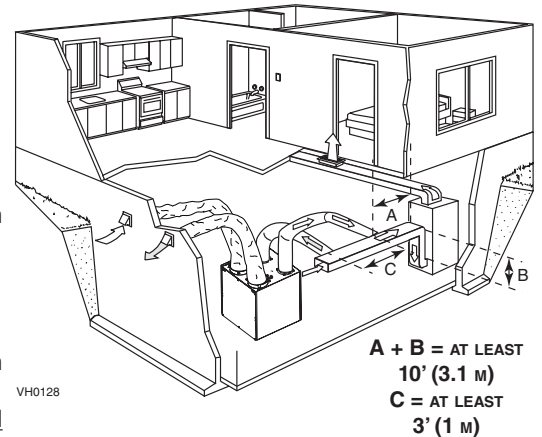
**For this type of installation, the furnace must always be synchronized with the unit. See section 6.**

**Stale air intake**

- Cut an opening into the furnace return duct not less than 10 feet (3.1 m) away from the furnace/air handler (A+B).
- Connect this opening to the **Exhaust air from building** port of the unit.

**Fresh air distribution ductwork**

- Cut an opening into the furnace return duct at least 18 inches (0.5 m) away from the furnace/air handler
- Connect this opening to the **Fresh air distribution** port of the unit (use a **metal duct**, see figure aside)
- Make sure the unit duct forms an elbow inside the furnace/air handler ductwork.
- Make sure that both connections to the furnace return duct are at least 3 feet (1 m) apart (C).



## For the Installer

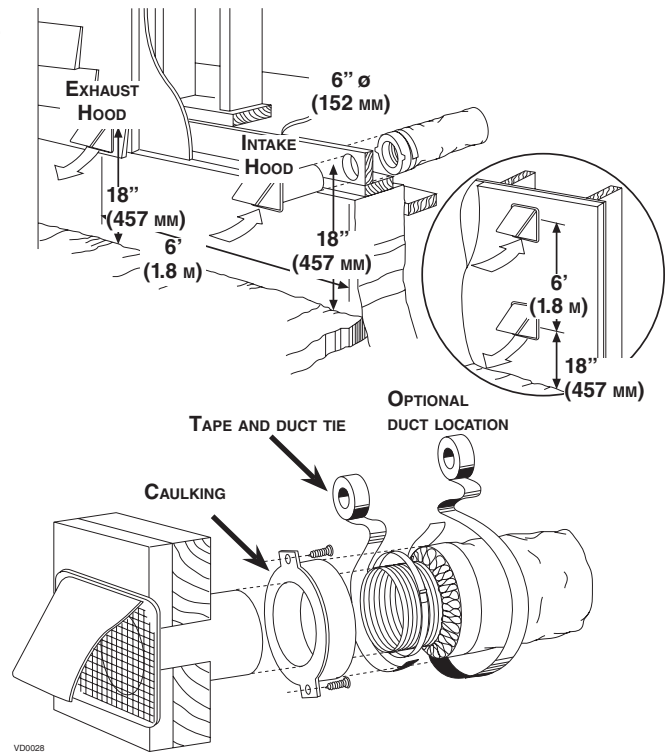
### 6.3 INSTALLING THE EXTERIOR HOODS

Refer to the illustration aside to connect the insulated duct to the hoods. Place a "FRESH AIR INTAKE" sticker on corresponding hood. An "Anti-Gust Intake Hood" should be installed in regions where a lot of snow is expected to fall.

#### **⚠ WARNING**

Make sure that both hoods are at least 18 inches above the ground and that the intake hood is at least 6 feet (1.8 m) away from any of the following:

- Exhaust hood
- Dryer exhaust, high efficiency furnace vent, central vacuum vent
- Gas meter exhaust, gas barbecue-grill
- Any exhaust from a combustion source
- Garbage bin and any other source of contamination



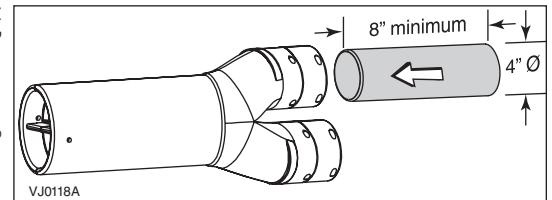
### 6.4 INSTALLING DUAL EXTERIOR HOOD USING TANDEM®\* TRANSITION KIT (OPTIONAL)

If desired, a dual exterior hood can be used instead of 2 exterior hoods to connect insulated ducts. The joist opening needed to install the Tandem® transition is 9¾" minimum. The maximum height of the Tandem® transition is 8¾".

To connect 4" insulated flexible ducts to the 5" oval ends of the Tandem® transition (*Exhaust air to outside and Fresh air from outside*), connect an adapter to the Tandem® transition (not included) as follows.

For each duct connection:

1. Slightly squeeze a section of 4" round metal duct, at least 8" long, to insert it into the oval opening of the Tandem® transition and push it all the way in.
2. Using silicon, seal the joint between the outside of the metal duct and Tandem® transition, and allow silicon to dry completely.

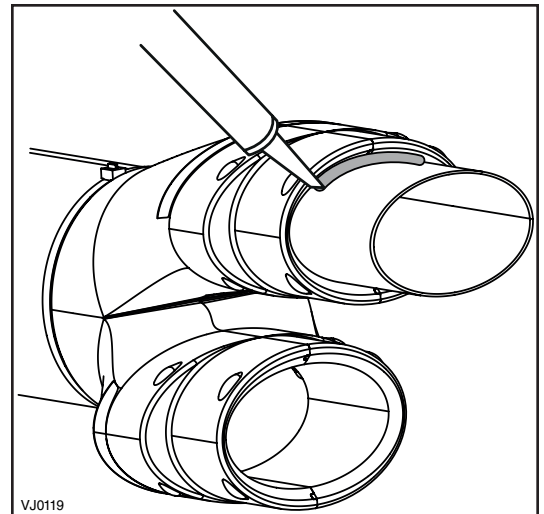


#### **CAUTION**

When connecting insulated flexible duct to the Tandem® transition, pull the interior flexible duct over the adapter all the way to the silicon joint and secure using a tie wrap. Then pull the insulation over the joint, making sure that no part is left without insulation.

3. From this point on, follow the instructions included with the Tandem® transition kit (part no. 14690).

\*Patented.



**For the Installer**

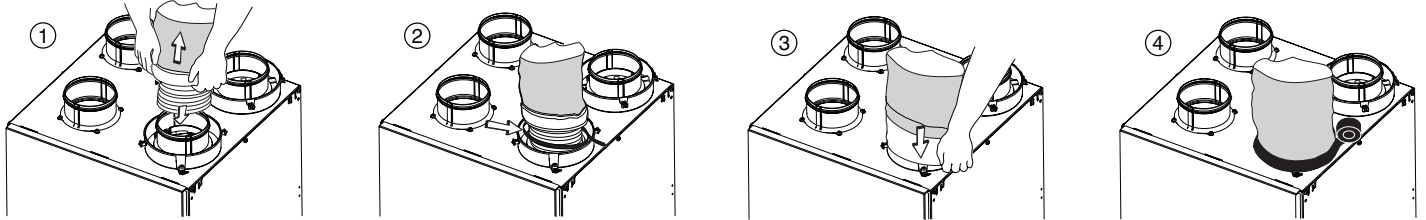
**6.5 CONNECTING THE DUCTS TO THE UNIT**

**NOTE:** This unit was designed to be connected to ducts of at least 4" in diameter, but can be connected to bigger sized ducts by using an appropriate transition (e.g.: 4" diameter to 5" diameter transition).

**CAUTION**

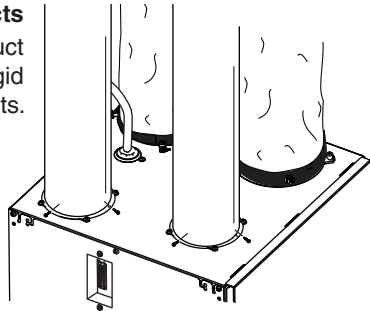
**Make sure the vapor barrier on the insulated ducts does not tear during installation to avoid condensation within the ducts. If ducts have to go through an unconditioned space (e.g.: attic), always use insulated ducts.**

1. Pull back the insulation to expose the flexible duct.
2. Attach the flexible duct to the port using a tie wrap.
3. Pull the insulation over the joint and tuck it in between the inner and outer rings of the double collar.
4. Pull down the vapor barrier (shaded part in illustrations below) over the outer ring to cover it completely. Apply duct tape to the joint to make an airtight seal. Avoid compressing the insulation when pulling the tape tightly around the joint.



**Non-insulated rigid ducts**

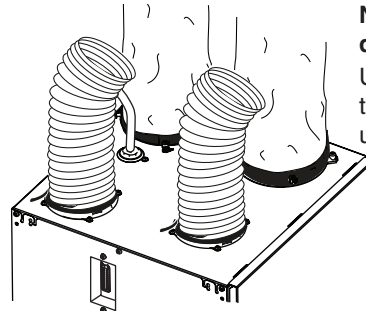
Use metal screws and duct tape to connect the rigid ducts to the unit ports.



VJ0073

**Non-insulated flexible ducts**

Use tie wraps to connect the flexible ducts to the unit ports.

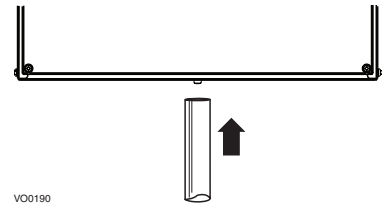


**6.6 CONNECTING THE DRAIN**

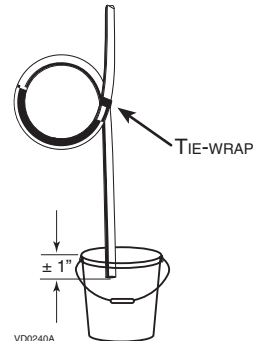
**CAUTION**

**A drain tubing (included) must be installed for all HRV units. For ERV units, it is not required, however, it is recommended for climates where the outside temperature typically remains below -25°C (-13°F), (over a 24-hour period) for several days in a row, combined with an indoor humidity of 40% or higher.**

1. Connect the plastic tube to the drain fitting located under the unit.
2. Make a water trap loop in the tube to prevent the unit from drawing unpleasant odors from the drain source. Run the tube to the floor drain or to an alternative drain pipe or pail.



VO0190



**CAUTION**

**If using a pail to collect water, locate the tube end approximately 1" into the pail in order to prevent water from being drawn back up into the unit.**

## 7. CONTROLS

### 7.1 ELECTRICAL CONNECTION TO OPTIONAL CONTROLS

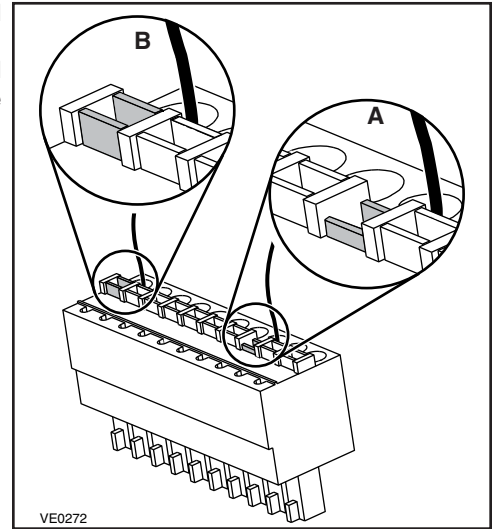
#### ⚠ WARNING

Always disconnect the unit before making any connections. Failure in disconnecting power could result in electrical shock or damage of the wall control or electronic module inside the unit.

#### CAUTION

Never install more than one optional main wall control per unit. Make sure that there are no short-circuit between the wires or with any other components on the wall control. Avoid poor wiring connections. To reduce electrical interference (noise) potential, do not run wall control wiring next to control contactors or near light dimming circuits, electrical motors, dwelling/building power or lighting wiring, or power distribution panel.

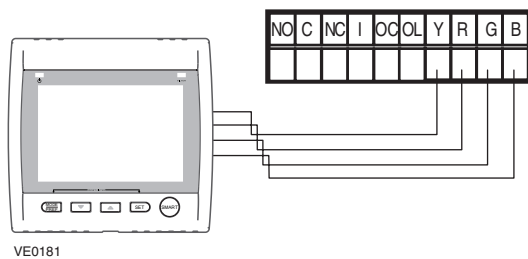
- Use the terminal connector included in the installation kit to perform the electrical connection for main and optional wall controls.
- Make sure all wires are correctly inserted in their corresponding holes in the terminal block. A wire is correctly inserted when its orange receptacle is lower than another one without wire. On picture beside, wire **A** is correctly inserted, but wire **B** is not.



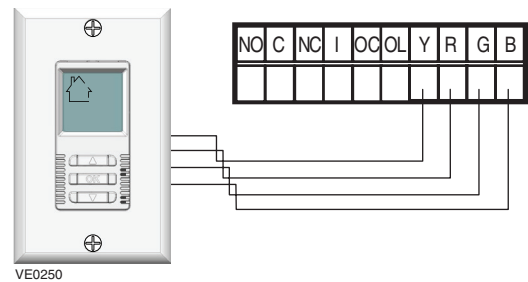
Use the chart below to verify compatibility with optional controls before making any connection.

	Main Controls	Auxiliary Controls
K10 - 50H HRV (TP)	<ul style="list-style-type: none"> <li>• Altitude</li> <li>• Platinum</li> <li>• Deco-Touch</li> <li>• Lite-Touch Constructo</li> <li>• Lite-Touch Bronze</li> </ul>	<ul style="list-style-type: none"> <li>• Simple Touch Constructo</li> <li>• Simple Touch Bronze</li> <li>• Constructo</li> <li>• Bronze</li> </ul>
		<ul style="list-style-type: none"> <li>• 20/40/60-minute push-button timer</li> <li>• 20-minute lighted push button</li> <li>• 60-minute crank timer</li> <li>• Dehumidistat</li> <li>• 20-40-60 control (41100, 41300, 41400)</li> </ul>

#### 7.1.1 ALTITUDE OR PLATINUM

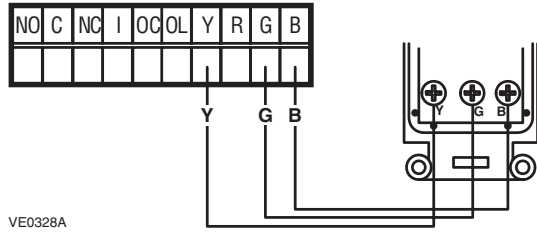


#### 7.1.2 DECO-TOUCH



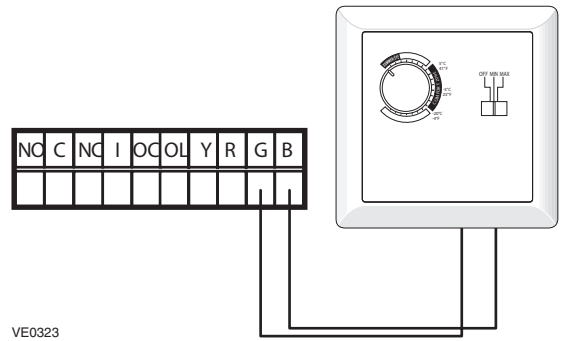
**For the Installer**

**7.1.3 LITE-TOUCH CONSTRUCTO, SIMPLE-TOUCH CONSTRUCTO  
LITE-TOUCH BRONZE OR SIMPLE-TOUCH BRONZE**



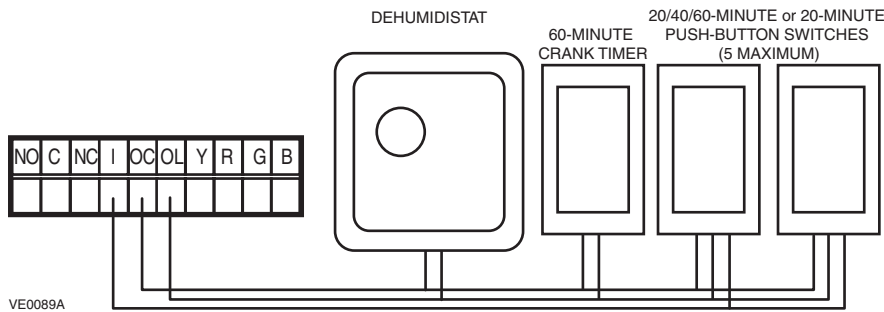
VE0328A

**7.1.4 CONSTRUCTO OR BRONZE**

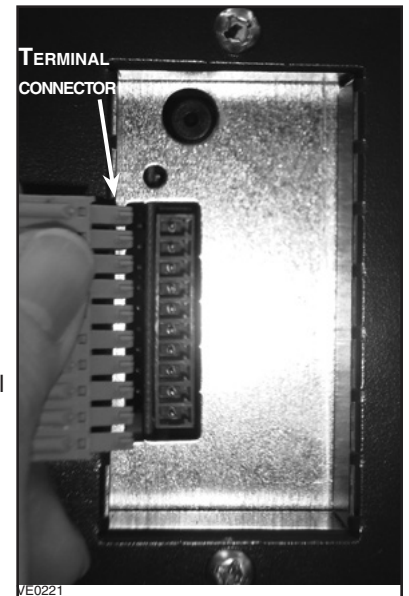


VE0323

**7.1.5 OPTIONAL AUXILIARY CONTROLS**



VE0089A



Once the control(s) connections have been made, insert the terminal connector in the electrical compartment interface.

**7.2 SETTING EXTENDED DEFROST**

These units are factory set to normal defrost. In cold region (outside temperature  $-27^{\circ}\text{C}$  [ $-17^{\circ}\text{F}$ ] and lower), it may be necessary to setup extended defrost. During the first 2 seconds of the booting sequence, while the integrated control LED is GREEN, press on push button for 3 seconds to set the unit in extended defrost; the LED will blink AMBER to show the unit is in extended defrost mode. After that, the LED will shut off, and turn RED (the unit resumes its booting sequence).

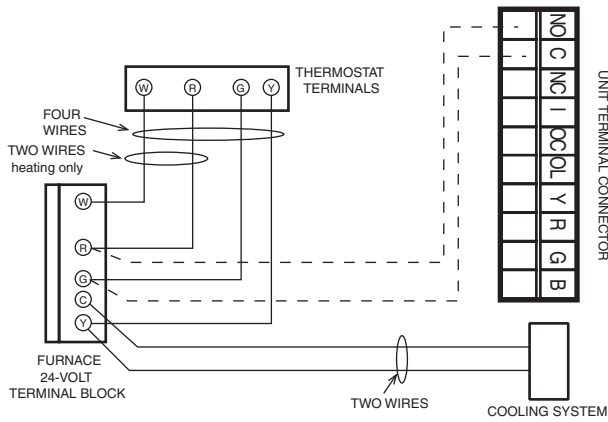
**⚠ WARNING**

**Never connect a 120-volt AC circuit to the terminals of the furnace interlock (standard wiring). Only use the low voltage class 2 circuit of the furnace blower control.**

**For a furnace connected to a cooling system:**

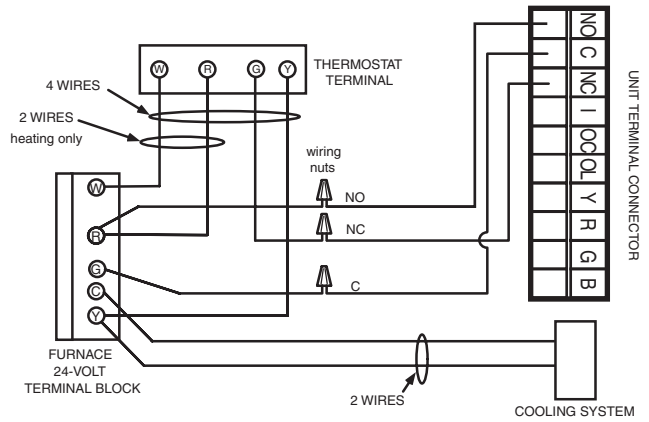
On some older thermostats, energizing the “R” and “G” terminals at the furnace has the effect of energizing “Y” at the thermostat and thereby turning on the cooling system. If you identify this type of thermostat, you must use the ALTERNATE FURNACE INTERLOCK WIRING.

**STANDARD FURNACE INTERLOCK WIRING**



VE0108A

**ALTERNATE FURNACE INTERLOCK WIRING**

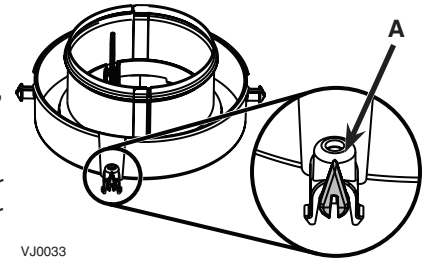


**8. BALANCING THE UNIT**

**PREPARATION**

Follow these steps to ensure accurate measurements:

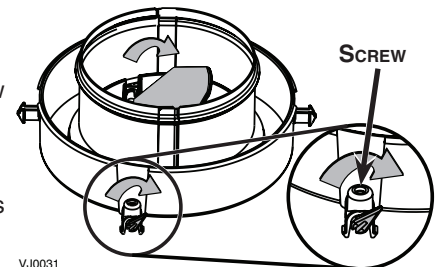
- Seal all the ductwork with tape. Close all windows and doors.
- Turn off all exhaust devices such as range hood, dryer and bathroom fans.
- Make sure the balancing dampers are fully open (their adjustment pin (A) must be vertical, see illustration aside).
- Make sure all filters are clean (if it is not the first time the unit is balanced).
- If the installation is in any way connected to the ductwork of the cold air return of a furnace/air handler, make sure that the furnace/air handler blower is ON. If not, leave furnace/air handler blower OFF.
- If the outside temperature is below 0°C/32°F, make sure the unit is not running in defrost while balancing by waiting 10 minutes after plugging the unit in.
- Set the unit to high speed.



VJ0033

**BALANCING PROCEDURE**

1. Place the magnehelic gauge on a level surface and adjust it to zero.
2. Connect tubing from gauge to EXHAUST air flow pressure taps (refer to label on unit for gauge connection).
3. Be sure to connect the tubes to their appropriate high/low fittings. If the gauge drops below zero, reverse the tubing connections.
4. Note the CFM value from balancing chart on unit.
5. Repeat steps 3 and 4, but to FRESH air flow pressure taps.
6. Using the appropriate adjustable balancing damper, lower the highest value so it matches the lowest value. A difference up to ±10 cfm is acceptable.
7. Secure both dampers in place with a fastening screw (included in the hardware kit).
8. Write the required air flow information on a label and stick it near the unit for future reference (date, maximum speed air flows, your name, phone number and business address).



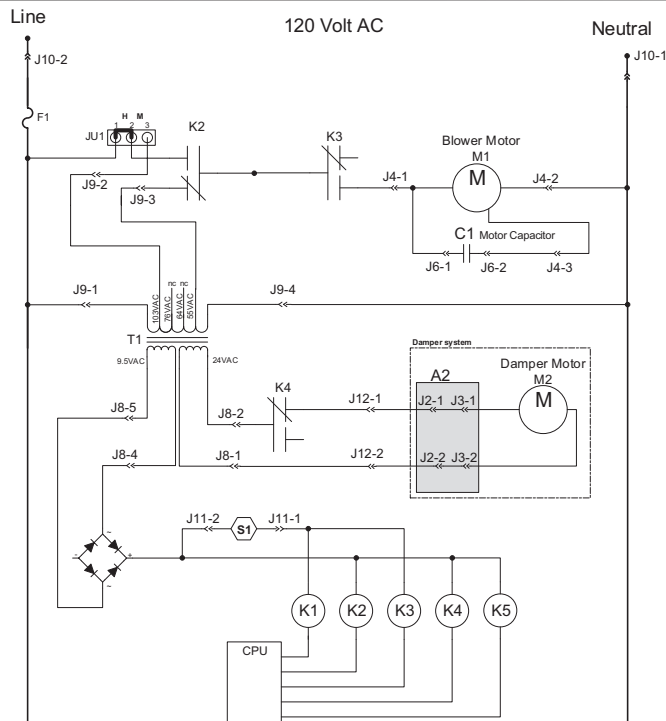
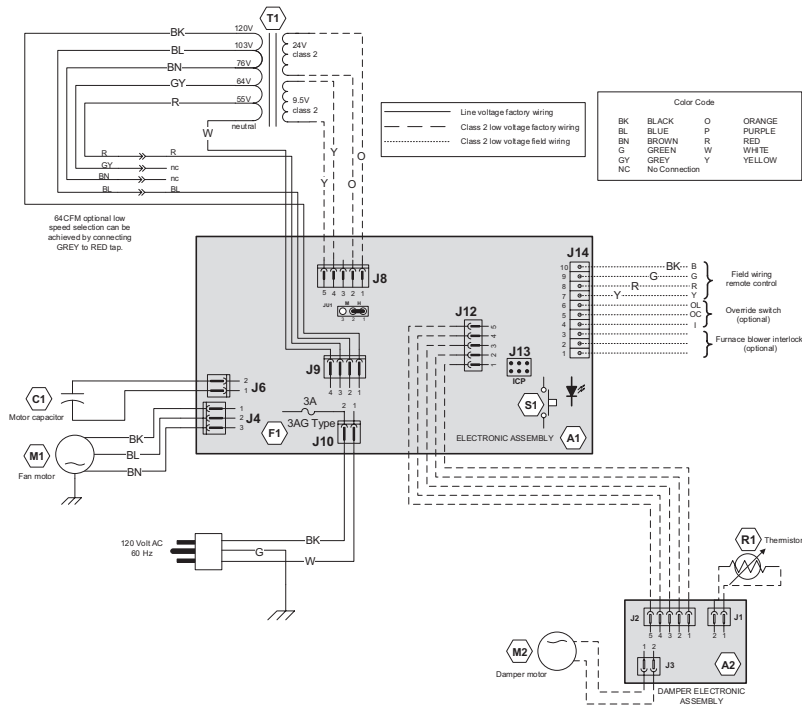
VJ0031

# 9. WIRING DIAGRAMS

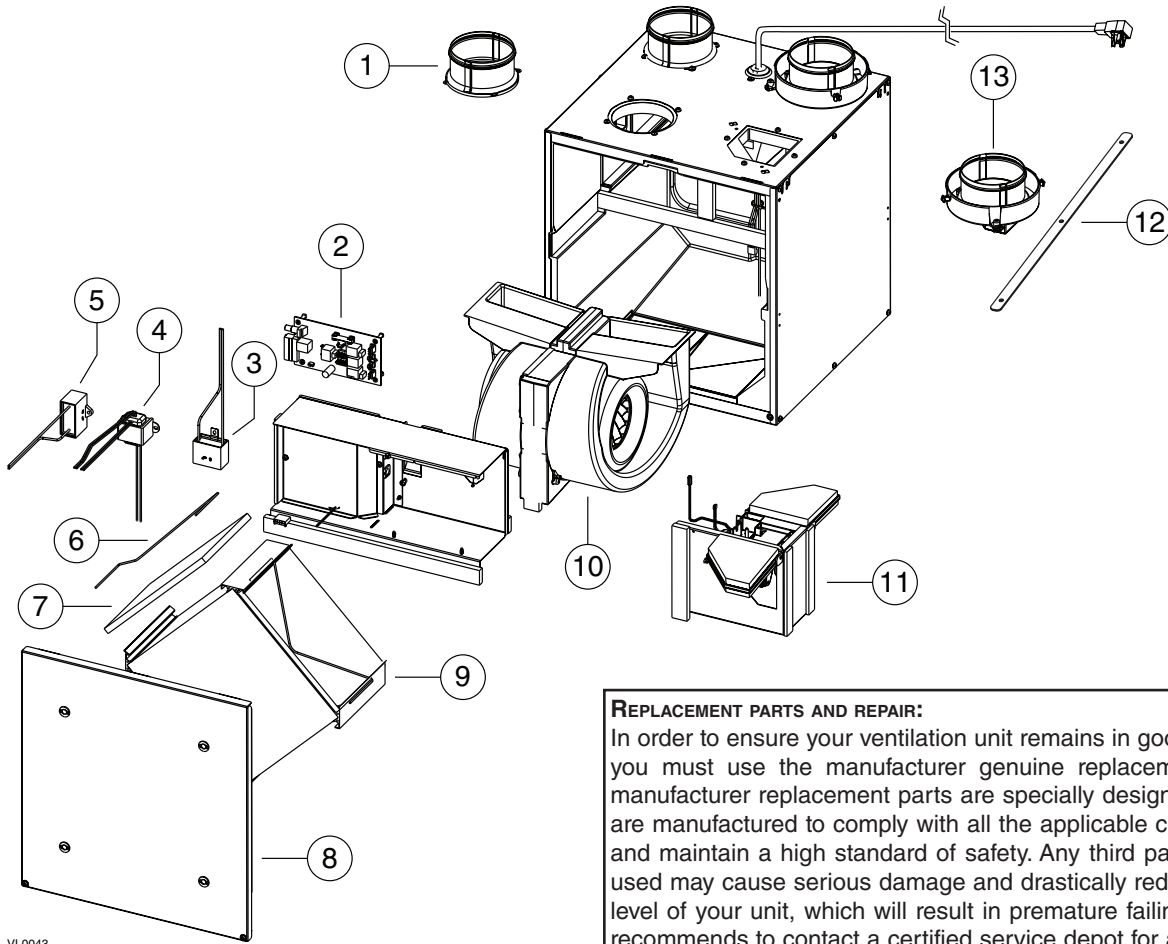
## 9.1 K10 - 50H HRV (TP)

### ⚠ WARNING

- Risk of electric shocks. Before performing any maintenance or servicing, always disconnect the unit from its power source.
- This product is equipped with an overload protection (fuse). A blown fuse indicates an overload or a short-circuit situation. If the fuse blows, unplug the product from the outlet. Discontinue using the unit and contact technical support.



## 10. SERVICE PARTS



VL0043

### REPLACEMENT PARTS AND REPAIR:

In order to ensure your ventilation unit remains in good working condition, you must use the manufacturer genuine replacement parts only. The manufacturer replacement parts are specially designed for each unit and are manufactured to comply with all the applicable certification standards and maintain a high standard of safety. Any third party replacement part used may cause serious damage and drastically reduce the performance level of your unit, which will result in premature failing. The manufacturer recommends to contact a certified service depot for all replacement parts and repair.

ITEM	PART No.	DESCRIPTION	K10 - 50H HRV (TP) (44600)
1	18854	4" ROUND METAL PORT	2
2	19206	ELECTRONIC BOARD (HRV)	1
3	16042	CAPACITOR 5 $\mu$ F	1
4	61232	TRANSFORMER	1
5	19211	CAPACITOR 13 $\mu$ F	1
6	19208	FILTER RETAINING WIRES (PAIR)	1
7	18883	CORE FILTERS (PAIR)	1
8	19203	DOOR ASSEMBLY	1
9	19199	HEAT RECOVERY CORE	1
10	62176	BLOWER ASSEMBLY	1
11	18868	VERTICAL PORTS DAMPER SYSTEM	1
12	19212	4" PORTS STRAPS	2
13	18855	4" DOUBLE COLLAR PORT WITH DAMPER	2
14	19213	HARDWARE KIT*	1
15	16416	PCB CONNECTOR*	1

\* PART NOT SHOWN.



# 11. TROUBLESHOOTING

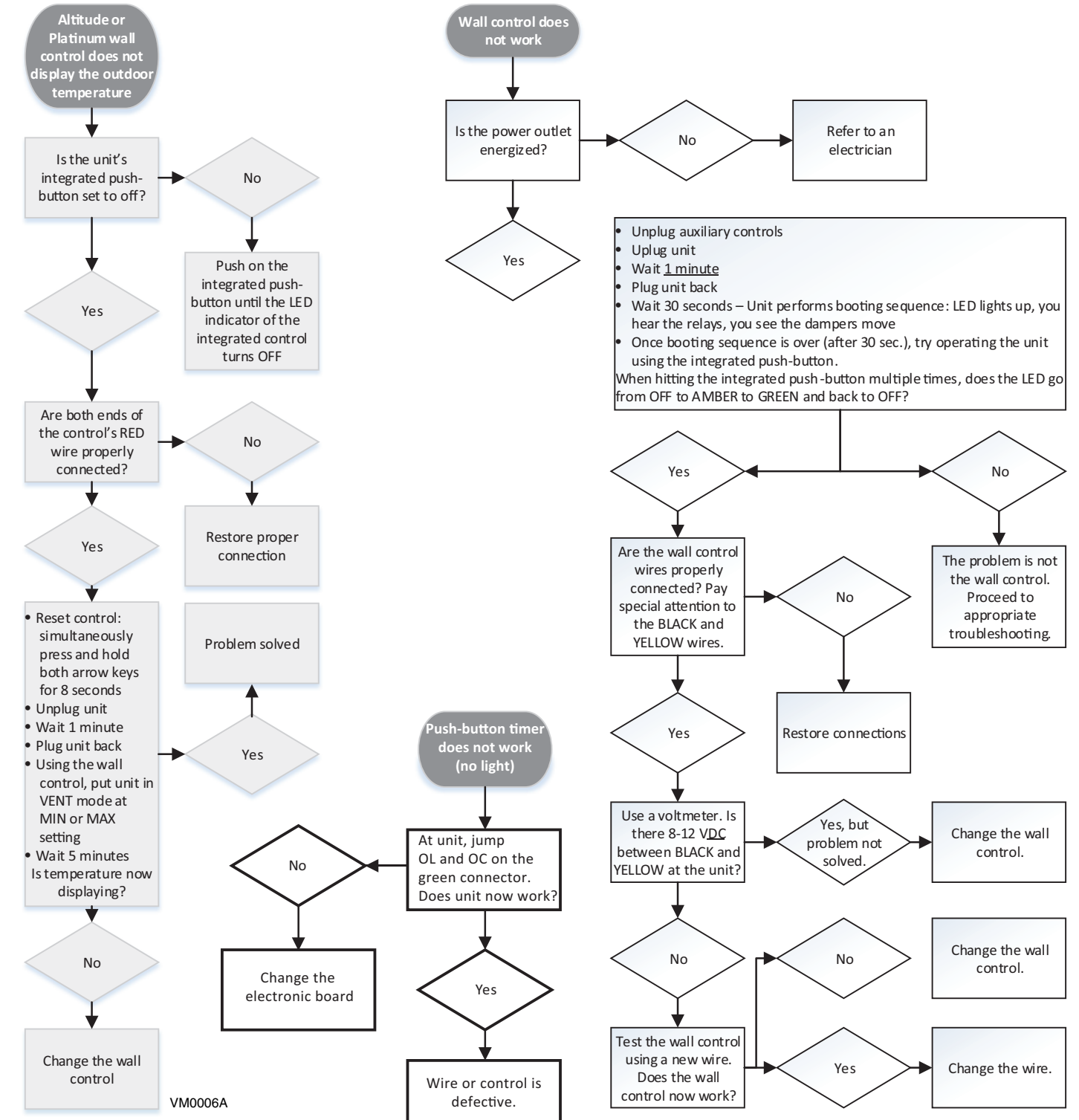
## ⚠ WARNING

**Risk of electric shocks. Electronic board connections must be checked by qualified personnel only.**

Please start any troubleshooting by resetting the unit. To do so, unplug the unit, wait one minute, and plug it back. If the issue persists, refer to the table below.

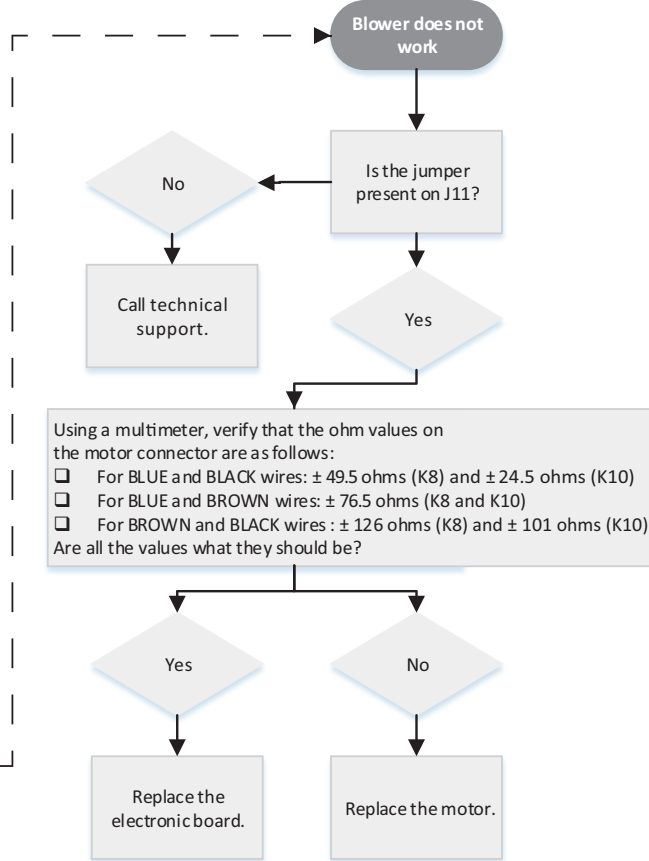
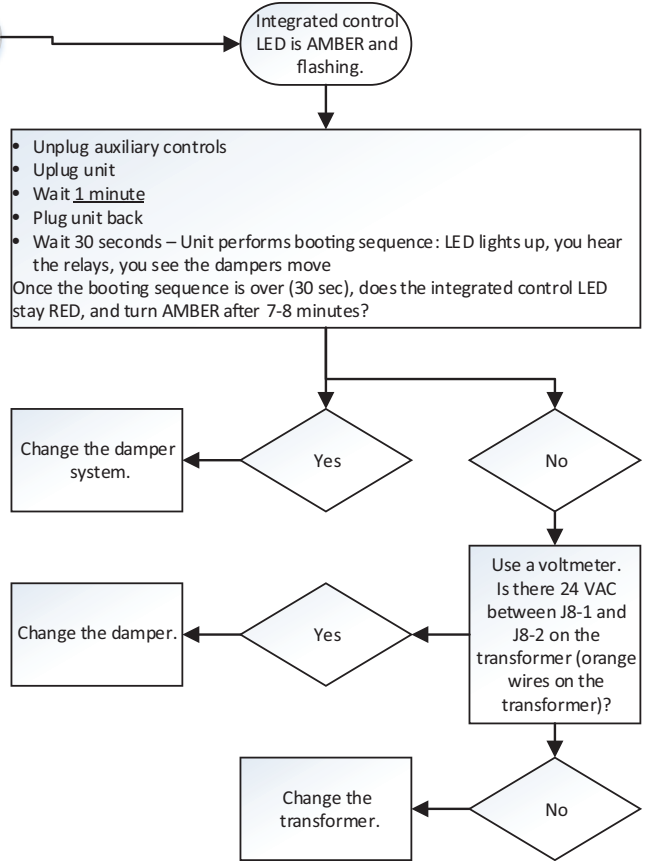
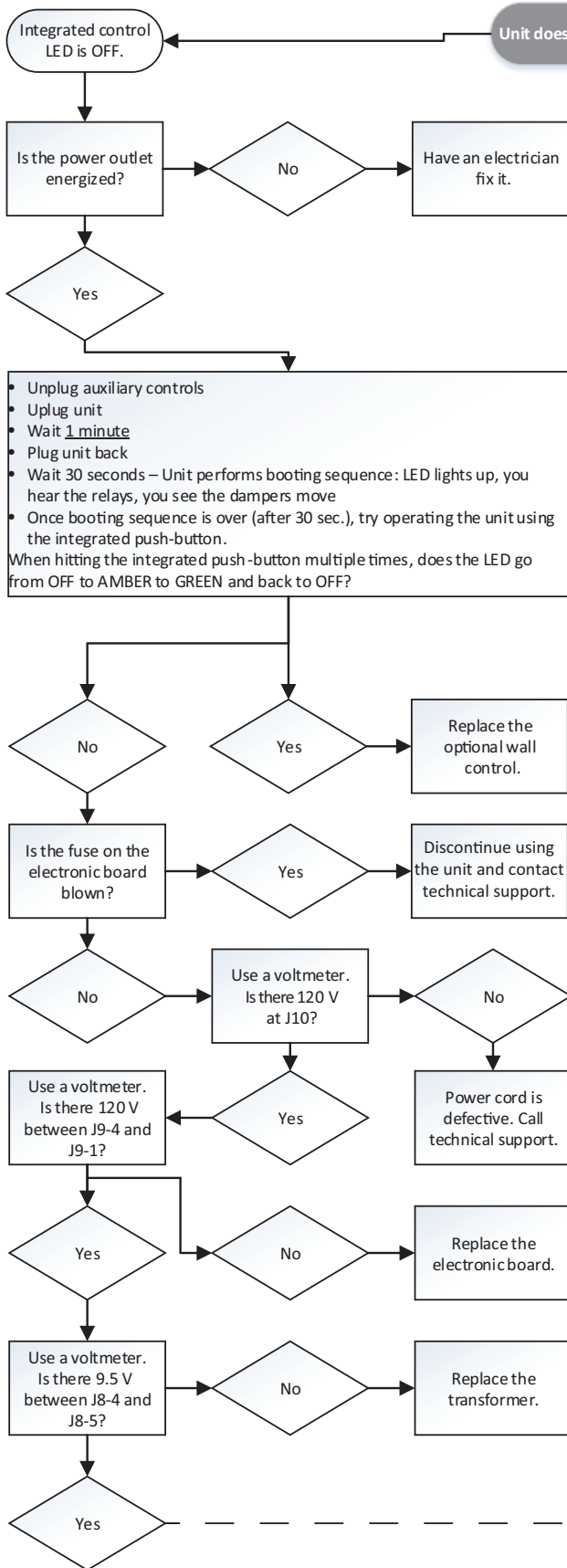
If the integrated LED of the unit is flashing, the unit sensors detected a problem. See the table below to know more about the nature of the problem.

LED Signal	Error Type	Action	Unit Status
LED flashes GREEN	Thermistor error	Replace damper system.	Unit works but will defrost frequently
LED flashes AMBER	Damper error	Go to page 20	Unit does not work



VM0006A

**For the Installer**



VM0011A

# GUIDE D'INSTALLATION ET D'UTILISATION

K10 - 50H HRV (TP) (44600)



**INSTALLATEUR: LIRE ET REMETTRE CES DIRECTIVES  
À L'UTILISATEUR**

**POUR USAGE RÉSIDENTIEL SEULEMENT**



Veillez noter que dans ce guide, les symboles suivants sont utilisés afin d'accentuer certaines informations particulières :

### **⚠ AVERTISSEMENT**

**Identifie une directive qui, si elle n'est pas suivie, peut causer de graves blessures corporelles ou la mort.**

### **ATTENTION**

**Identifie une directive qui, si elle n'est pas suivie, peut gravement endommager l'appareil ou ses pièces.**

NOTE : Indique une information supplémentaire afin de réaliser complètement une directive.

## LIMITATION

Pour installation résidentielle (domestique) seulement. Les travaux d'installation et de raccordement électrique doivent être effectués par du personnel qualifié, conformément aux codes et aux standards de construction, incluant ceux concernant la protection contre les incendies.

## **⚠ AVERTISSEMENT**

### **AFIN DE DIMINUER LES RISQUES D'INCENDIE, D'ÉLECTROCUTION OU DE BLESSURES CORPORELLES, SUIVEZ LES DIRECTIVES SUIVANTES :**

1. N'utiliser cet appareil que de la façon prévue par le fabricant.
2. Débrancher le cordon d'alimentation de l'appareil avant d'effectuer l'entretien ou la réparation.
3. Cet appareil n'est pas conçu pour fournir l'air nécessaire à la combustion et/ou à la dilution pour les appareils à combustion.
4. Lorsque vous coupez ou percez un mur ou un plafond, ne pas endommager les fils électriques ou autres installations qui pourraient y être dissimulés.
5. Ne pas utiliser cet appareil avec une commande de vitesse à semi-conducteur autre que celles mentionnées à la section 7.1.
6. Cet appareil doit être mis à la terre. Pour votre propre protection, le cordon d'alimentation est muni d'une fiche à 3 broches. Cette fiche doit être branchée à une prise à trois trous avec une mise à la terre, conformément au code national d'électricité ainsi qu'aux codes et règlements locaux. Ne pas enlever la broche pour la mise à la terre. Ne pas utiliser de rallonge électrique.
7. Ne pas installer dans une aire de cuisson ou brancher directement à un appareil ménager.
8. Ne pas utiliser pour évacuer des vapeurs ou des produits dangereux ou explosifs.
9. Il est recommandé de porter des lunettes et des gants de sécurité lors de l'installation, de l'entretien ou de la réparation de ces appareils.
10. Lorsqu'une réglementation est en vigueur localement et qu'elle comporte des exigences d'installation et/ou de certification plus restrictives que les présentes, lesdites exigences prévalent sur celles de ce document et l'installateur entend s'y conformer à ses frais.
11. En raison du poids de cet appareil, il est recommandé que l'installation soit effectuée par deux personnes.

## ATTENTION

1. Afin d'éviter l'encrassement prématuré des filtres, arrêter l'appareil lors de travaux de construction ou de rénovation.
2. Pour plus de renseignements au sujet de votre appareil, veuillez lire les autocollants apposés sur celui-ci.
3. S'assurer que les bouches appropriées donnent à l'extérieur. Ne pas aspirer/évacuer l'air dans des espaces restreints comme l'intérieur des murs ou plafond ou dans le grenier, un vide sanitaire ou un garage. Ne pas essayer de récupérer l'air évacué provenant d'une sècheuse ou d'une hotte de cuisinière.
4. Destiné à un usage résidentiel seulement, selon les prescriptions de la NFPA 90B (pour un appareil installé aux États-Unis) ou selon la Partie 9 du Code National du Bâtiment du Canada (pour un appareil installé au Canada).
5. Ne pas installer de conduits directement au-dessus ou à moins de 2 pi (0,61 m) d'une fournaise, de son conduit de distribution, d'une chaudière ou d'un appareil de chauffage. Si un conduit doit être raccordé au plenum de retour d'air de la fournaise, il doit être installé à au moins 10 pi (3,1 m) du raccordement de ce plenum à la fournaise.
6. Le réseau de conduits doit être installé selon tous les codes locaux et nationaux en vigueur.
7. En cas d'absence prolongée (plus de deux semaines), laissez une personne responsable vérifier régulièrement que l'appareil fonctionne adéquatement.
8. Si le réseau de conduits traverse un espace non tempéré (ex. : grenier), l'appareil doit fonctionner continuellement sauf lors de son entretien ou de sa réparation. La température ambiante de la maison ne doit également jamais se situer sous 18 °C (65 °F).
9. Le diamètre minimal des conduits de dérivation est de 4 po.
10. Au moins une fois par année, les composantes électroniques et mécaniques de cet appareil devraient être inspectées par du personnel qualifié.
11. Pendant l'hiver, s'assurer que les bouches extérieures ne sont pas encombrées par la neige. Il est également important de s'assurer que l'appareil n'aspire pas de neige pendant les tempêtes de neige. Au besoin, arrêter l'appareil pendant quelques heures.
12. Le contrôle électronique de cet appareil contient un microprocesseur qui peut ne pas fonctionner normalement en raison d'interférences ou à la suite de courtes interruptions de courant. Si cela se produit, débrancher l'appareil, attendre une dizaine de secondes, puis rebrancher l'appareil.
13. Ne pas faire un usage abusif de diffuseurs d'odeur ou de produits chimiques puisque certains peuvent endommager le matériau des composantes de l'appareil.

# TABLE DES MATIÈRES

<b>POUR L'UTILISATEUR.....</b>	<b>4</b>	<b>7. COMMANDES .....</b>	<b>12</b>
<b>1. UTILISER VOTRE APPAREIL .....</b>	<b>4</b>	7.1 Branchement des commandes optionnelles .....	12
1.1 Votre système de ventilation.....	4	7.1.1 Altitude ou Platinum .....	12
1.2 Commande intégrée.....	4	7.1.2 Deco-Touch .....	12
<b>2. ENTRETIEN .....</b>	<b>5</b>	7.1.3 Lite-Touch Constructo, Simple-Touch Constructo, Lite-Touch Bronze ou Simple-Touch Bronze .....	13
2.1 Entretien trimestriel .....	5	7.1.4 Constructo ou Bronze.....	13
2.2 Entretien annuel .....	5	7.1.5 Commandes auxiliaires optionnelles.....	13
<b>3. DÉPANNAGE POUR L'UTILISATEUR .....</b>	<b>5</b>	7.2 Réglage du dégivrage prolongé .....	13
<b>4. GARANTIE.....</b>	<b>6</b>	<b>8. ÉQUILIBRAGE DE L'APPAREIL.....</b>	<b>14</b>
<b>POUR L'INSTALLATEUR.....</b>	<b>7</b>	<b>9. SCHÉMAS ÉLECTRIQUES .....</b>	<b>15</b>
<b>5. DISTRIBUTION DE L'AIR.....</b>	<b>7</b>	9.1 K10 - 50H HRV (TP) .....	15
<b>6. INSTALLATION.....</b>	<b>7</b>	<b>10. PIÈCES DE SERVICE.....</b>	<b>16</b>
6.1 Emplacement de l'appareil .....	7	<b>11. DÉPANNAGE.....</b>	<b>17</b>
6.2 Installation des conduits et des grilles.....	8		
6.2.1 Installation indépendante .....	8		
6.2.2 Distribution à la source - Côté distribution .....	8		
6.2.3 Distribution à la source - Côté retour.....	9		
6.2.4 Installation simplifiée - Distribution/Retour .....	9		
6.2.5 Installation simplifiée - Retour/Retour .....	9		
6.3 Installer les bouches extérieures .....	10		
6.4 Installation de la bouche extérieure double au moyen du kit de transition Tandem®* (optionnel) ..	10		
6.5 Raccordement des conduits à l'appareil.....	11		
6.6 Raccordement du boyau de drainage.....	11		



## PRODUCT REGISTRATION CARD - FICHE D'ENREGISTREMENT DU PRODUIT

**IMPORTANT:** Please complete and return this questionnaire within 10 days of your purchase to the address below. Note that only the questions on this side of the page are mandatory. Your answers will be used for market research studies and reports, and will help us to better serve you in the future. **IMPORTANT:** Veuillez remplir ce questionnaire et nous le retourner dans les 10 jours suivant votre achat à l'adresse inscrite en bas de la page. Veuillez noter que seules les questions de ce côté-ci de la page sont obligatoires. Vos réponses serviront à des études de marché et nous aideront à mieux vous servir dans l'avenir.

First name - Prénom

Last name - Nom de famille

Address - Adresse

Apt. no. - App.

City - Ville

Province

Postal code - Code postal

Country - Pays

E-mail address - Courriel

Language preferred - Langue de correspondance

Telephone no. (day) - N° de téléphone (jour)

Telephone no. (evening) - N° de téléphone (soir)

Date of purchase - Date d'achat

Model no. - N° de modèle

Serial no. - N° de série

# 1. UTILISER VOTRE APPAREIL

## ATTENTION

Avant d'utiliser cet appareil pour la première fois, prendre le temps de lire attentivement la page 2 de ce guide pour s'assurer que l'appareil est utilisé de façon sécuritaire et optimale.

### 1.1 VOTRE SYSTÈME DE VENTILATION

Votre appareil est conçu pour fournir de l'air frais à votre résidence tout en évacuant l'air vicié et humide. En éliminant ainsi l'accumulation de polluants et d'humidité, il maintient une qualité d'air optimale et une humidité relative idéale. Votre appareil est doté d'un noyau de récupération de chaleur permettant de contrôler l'excès d'humidité et de réduire les frais reliés à la ventilation. En effet, l'appareil extrait la chaleur contenue dans l'air vicié et humide avant qu'il ne soit évacué et réchauffe ainsi l'air qui provient de l'extérieur. Le noyau de récupération est conçu de façon à ce que l'air vicié ne se mélange jamais à l'air frais.

Lorsque la température extérieure descend au-dessous de -5°C (23°F), la récupération de chaleur crée du givre à l'intérieur du module. Afin de maintenir un bon fonctionnement, l'appareil est programmé pour dégivrer le module d'échange. La durée et la fréquence du dégivrage varient selon la température extérieure. Après le dégivrage, l'appareil retourne au mode de fonctionnement sélectionné par l'utilisateur.

### 1.2 COMMANDE INTÉGRÉE

#### Séquence de démarrage

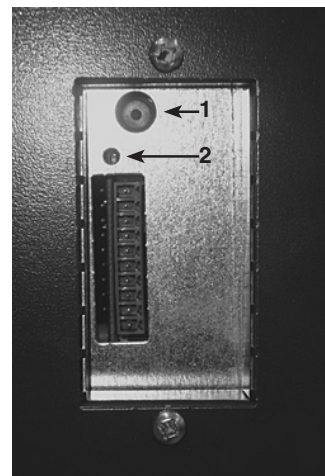
La séquence de démarrage de cet appareil est similaire à celle d'un ordinateur personnel. Toutes les fois où l'appareil est mis sous tension, ou après une panne de courant, il effectue une séquence de démarrage d'environ 30 secondes avant de commencer à fonctionner. **L'appareil ne répond pas aux commandes tant que la séquence de démarrage n'est pas terminée.**

Cet appareil est muni d'une commande intégrée, située dans le haut de son côté gauche.

- Appuyer sur le bouton-poussoir (1) intégré pour passer du mode ARRÊT à la basse vitesse, puis à la haute vitesse, puis au mode ARRÊT.
- La couleur du voyant à DEL (2) indique en quel mode l'appareil se trouve :

VOYANT DEL	MODE
AMBRE	Basse vitesse
VERT	Haute vitesse
ÉTEINT	Arrêté/ Commande optionnelle

- Si un problème se produit, le voyant DEL (2) clignote. La couleur du voyant indique la nature du problème. Consulter la section *Dépannage*.



Pour plus de commodité, ces appareils peuvent être contrôlés au moyen d'une commande murale optionnelle. **Lorsqu'une commande murale optionnelle est utilisée, l'appareil doit être réglé en mode ARRÊT au moyen du bouton-poussoir intégré.**

Pour de plus amples renseignements au sujet des commandes murales optionnelles, consulter le *Guide de l'utilisateur, Commandes murales principales et auxiliaires* inclus avec cet appareil et accessible sur [www.venmar.ca](http://www.venmar.ca) et [www.vanee.ca](http://www.vanee.ca).



Would you like to receive occasional informational e-mail offers including product updates and special promotions from us? **Yes/No**

What problem were you trying to solve with your purchase? (Check each one that applies to you.)

- Bad odors
- Respiratory problems
- Excess of humidity
- Temperature standardization
- Lack of fresh air
- Dust
- Mildew
- Allergies
- No specific problems
- Others

Who installed your unit?

- Home builder
- Recommended installer
- Friend / family
- Contractor
- Yourself

Please read the following list of criteria carefully. Indicate the importance of your purchase decision on a scale of 1 (less important) to 5 (most important).

- \_\_\_ Price
- \_\_\_ Warranty
- \_\_\_ Product design
- \_\_\_ Ventilation capacity
- \_\_\_ Filter maintenance indicator
- \_\_\_ Filtration quality
- \_\_\_ Recirculation
- \_\_\_ Heat recovery
- \_\_\_ Controls
- \_\_\_ Ease of cleaning
- \_\_\_ Manufacturer's reputation
- \_\_\_ Ease of use
- \_\_\_ Noise level
- \_\_\_ Other

Aimeriez-vous recevoir plus de détails sur nos promotions, offres de rabais et mises à jour de nos produits? **Oui/Non**

Quels problèmes essayez-vous de résoudre par cet achat? (Cochez toutes les cases pertinentes)

- Mauvaises odeurs
- Problèmes respiratoires
- Excès d'humidité
- Uniformisation de la température
- Manque d'air frais
- Poussières
- Moisissures
- Allergies
- Pas de problèmes spécifiques
- Autres (Précisez SVP)

Qui a installé l'appareil?

- Constructeur de la maison
- Installateur recommandé
- Ami/membre de la famille
- Entrepreneur
- Vous-même

Veillez lire la liste des critères de sélection ci-dessous. Sur une échelle de 1 (étant le moins important) à 5 (étant le plus important), veuillez indiquer l'importance de chacun d'entre eux dans votre décision d'achat.

- \_\_\_ Prix
- \_\_\_ Garantie
- \_\_\_ Design du produit
- \_\_\_ Débit de ventilation
- \_\_\_ Indicateur d'entretien du filtre
- \_\_\_ Qualité de filtration
- \_\_\_ Recirculation
- \_\_\_ Récupération de chaleur
- \_\_\_ Récupération d'énergie
- \_\_\_ Fonctions
- \_\_\_ Facilité de nettoyage
- \_\_\_ Réputation du fabricant
- \_\_\_ Simplicité d'utilisation
- \_\_\_ Niveau de bruit
- \_\_\_ Autres (Précisez SVP)

**Are you connected?** Please do not hesitate to complete the product registration card via our Web site at [www.bnv.ca](http://www.bnv.ca)

**Enregistrez-vous en ligne!** N'hésitez pas à remplir la fiche d'enregistrement du produit sur notre site Internet au [www.bnv.ca](http://www.bnv.ca)

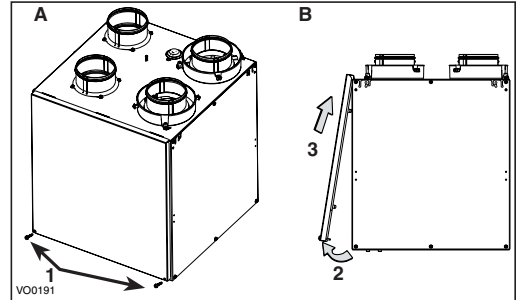
## 2. ENTRETIEN

### 2.1 ENTRETIEN TRIMESTRIEL

#### ⚠ AVERTISSEMENT

**Risque de chocs électriques. Avant l'entretien et la réparation, toujours débrancher l'appareil. Il est recommandé de porter les lunettes et des gants lors de l'entretien de l'appareil.**

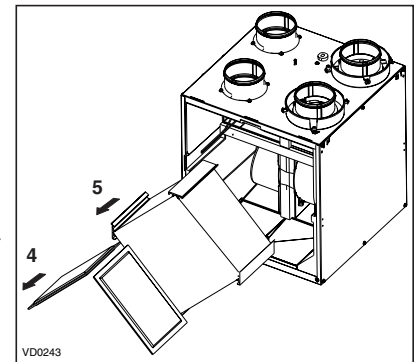
- Débrancher l'appareil
- Retirer la porte de l'appareil en suivant ces étapes:
  - Retirer les deux vis à métaux de la porte (1) et les mettre de côté.
  - Ouvrir (2) et soulever la porte (3).
- Retirer les filtres de l'appareil (4).
- Retirer le noyau de l'appareil (5).
- Nettoyer les parois intérieures de l'appareil avec un linge propre et humide, puis les essuyer avec un linge propre et sec.
- Enlever la poussière sur les filtres à l'aide d'un aspirateur muni d'une brosse à poils doux, puis les laver à l'eau tiède avec un savon doux. Rincer abondamment et laisser sécher complètement avant de les réinstaller sur le noyau.
- Enlever la poussière sur le noyau à l'aide d'un aspirateur muni d'une brosse à poils doux.



#### ATTENTION

**Suivre les instructions sur le noyau pour le réinstaller correctement.**

- Réinstaller le noyau et les filtres dans l'appareil.
- Réinstaller la porte et la fixer en place au moyen des deux vis à métaux retirées précédemment. Brancher l'appareil. Après sa séquence de démarrage, l'appareil fonctionnera au même mode qu'avant le nettoyage.



### 2.2 ENTRETIEN ANNUEL

Effectuer l'entretien annuel jusqu'à l'étape 6, puis nettoyer le noyau comme suit:

#### K10 - 50H HRV (TP)

Laisser le noyau de récupération de chaleur tremper dans l'eau tiède additionnée de savon doux. Rincer en profondeur, puis secouer pour enlever l'excès d'eau avant de laisser sécher complètement.

## 3. DÉPANNAGE POUR L'UTILISATEUR

PROBLÈME	ESSAYEZ CECI
1. Rien ne fonctionne.	<ul style="list-style-type: none"> <li>Vérifier si l'appareil est branché.</li> <li>Vérifier le disjoncteur ou le fusible alimentant l'appareil.</li> </ul>
2. Condensation sur les fenêtres. (Air intérieur trop humide.)	<ul style="list-style-type: none"> <li>Faire fonctionner l'appareil en haute vitesse jusqu'à ce que la situation se corrige.</li> <li>Laisser les rideaux entrouverts pour laisser circuler l'air.</li> <li>Entreposer le bois de chauffage dans une pièce fermée dotée d'un déshumidificateur, dans une pièce bien aérée, ou à l'extérieur.</li> <li>Garder la température à l'intérieur de votre maison au-dessus de 18 °C (64 °F).</li> </ul>
3. Air intérieur trop sec.	<ul style="list-style-type: none"> <li>Utiliser temporairement un humidificateur.</li> <li>Faire fonctionner l'appareil en mode recirculation (si disponible).</li> </ul>
4. Air trop froid à la grille de distribution.	<ul style="list-style-type: none"> <li>S'assurer que les bouches extérieures ne sont pas obstruées.</li> <li>Faire fonctionner l'appareil en vitesse minimale ou en mode intermittent ou recirculation (si disponible).</li> <li>Installer un chauffage d'appoint.</li> </ul>
5. Le voyant lumineux de la commande intégrée clignote VERT.	<ul style="list-style-type: none"> <li>Le thermistor éprouve des difficultés. L'appareil fonctionne, mais dégivre fréquemment. Contactez votre installateur.</li> </ul>
6. Le voyant lumineux de la commande intégrée clignote AMBRE.	<ul style="list-style-type: none"> <li>Problème de volet motorisé: l'appareil cesse de fonctionner. L'appareil fera des essais aux 30 min pour redémarrer le système volet. Après 2 heures 30 minutes, si le problème n'est pas résolu, il s'arrêtera. Contactez votre installateur.</li> </ul>
7. Le bouton-poussoir de la commande intégrée ne fonctionne pas.	<ul style="list-style-type: none"> <li>La séquence de démarrage de 30 secondes n'est pas terminée. Voir <i>Séquence de démarrage</i> en page 4.</li> </ul>

Pour tout problème non résolu, communiquer avec le service à la clientèle au 1 800 567-3855.

## 4. GARANTIE

---

Votre appareil de ventilation est un produit de grande qualité, fabriqué et emballé avec soin. Le fabricant garantit au consommateur, acheteur initial de ses produits, que ceux-ci sont exempts de tout défaut de fabrication pour la période citée plus bas et ce, à partir de la date d'achat originale. La garantie de tous les appareils couvre les pièces seulement contre toute défectuosité pouvant nuire à leur fonctionnement, et elle est d'une durée de cinq (5) ans. Sous réserve d'avoir effectué l'entretien du noyau tel qu'il est mentionné dans le présent guide, le noyau de récupération de chaleur possède une garantie à vie limitée. Si un fonctionnement inadéquat devait se produire, veuillez vous référer au présent guide. Si le problème persiste, la marche à suivre est la suivante :

### MARCHE À SUIVRE

Si l'appareil est défectueux, veuillez communiquer immédiatement avec votre entrepreneur en ventilation (voir son adresse sur la page couverture de votre guide). Il déterminera la source du mauvais fonctionnement et effectuera le remplacement ou la réparation, s'il y a lieu. Si jamais il devient impossible de le joindre, téléphonez (en Amérique du Nord) au 1 800 567-3855 où notre personnel se fera un plaisir de vous transmettre le numéro de téléphone du distributeur ou du centre de service le plus près de chez vous.

### PIÈCES DE REMPLACEMENT ET SERVICE

Pour assurer le bon fonctionnement de votre appareil, vous devez toujours utiliser des pièces d'origine provenant du fabricant. Les pièces d'origine du fabricant sont spécialement conçues pour satisfaire toutes les normes de certification de sécurité applicables. Leur remplacement par des pièces ne provenant pas du fabricant pourrait ne pas assurer la sécurité de l'appareil, entraîner une réduction sévère des performances ainsi qu'un risque de défaillance prématurée. Le fabricant recommande également de toujours vous référer à une entreprise de services compétente et reconnue par le fabricant pour vos pièces de remplacement et appels de service.

### FACTURE

Aucune réparation ou aucun remplacement ne sera couvert par la garantie sans la copie de la facture originale d'achat. Prenez soin de bien la conserver.

### FRAIS DIVERS

Les frais de main-d'œuvre relatifs au retrait de la pièce défectueuse et/ou à l'installation de la pièce conforme ne seront, en aucun cas, couverts par le fabricant.

### CONDITIONS ET LIMITES

Ces appareils sont **conçus pour usage résidentiel seulement** et doivent être utilisés dans un bâtiment tel que décrit ci-dessous :

**Bâtiment :** Toute construction utilisée ou destinée à être utilisée pour abriter ou recevoir des personnes, des animaux ou des choses.

**Usage résidentiel :** Habitation, logement, suite : Bâtiment, ou partie de bâtiment, servant ou destiné à servir de domicile à une ou plusieurs personnes et qui comporte généralement des installations sanitaires et des installations pour préparer et consommer des repas et pour dormir. Local constitué d'une seule pièce ou d'un groupe de pièces complémentaires et occupé par un locataire ou propriétaire; comprend les logements, les chambres individuelles des motels, hôtels, maisons de chambres, dortoirs et pensions de famille, de même que les magasins et les établissements d'affaires constitués d'une seule pièce dans une habitation.

**Usage commercial :** Établissement agricole, commercial, de réunion, de soins ou de détention : Bâtiment ou partie de bâtiment qui ne contient pas d'habitation, situé sur un terrain consacré à l'agriculture ou à l'élevage et utilisé essentiellement pour abriter des équipements ou des animaux, ou pour la production, le stockage ou le traitement de produits agricoles ou horticoles ou l'alimentation des animaux. Bâtiment, ou partie de bâtiment, utilisé pour l'étalage ou la vente de marchandises ou de denrées au détail ou utilisé pour la conduite des affaires ou la prestation de services professionnels ou personnels. Bâtiment, ou partie de bâtiment, utilisé par des personnes rassemblées pour se livrer à des activités civiques, politiques, touristiques, religieuses, mondaines, éducatives, récréatives ou similaires, ou pour consommer des aliments ou des boissons. Bâtiment, ou partie de bâtiment, abritant des personnes qui, à cause de leur état physique ou mental, nécessitent des soins ou des traitements médicaux, ou des personnes qui, à cause de mesures de sécurité hors de leur contrôle, ne peuvent se mettre à l'abri en cas de danger.

**Usage industriel :** Bâtiment, ou partie de bâtiment, utilisé pour l'assemblage, la fabrication, la confection, le traitement, la réparation ou le stockage de produits, de matières ou de matériaux dont le contenu est combustible et qu'il contient des matières très combustibles, inflammables ou explosives en quantité suffisante pour constituer un risque particulier d'incendie.

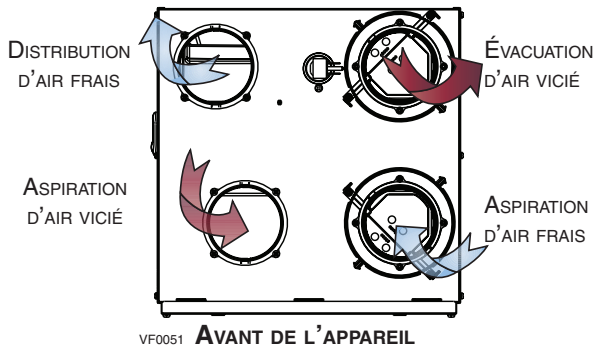
La garantie ci-dessus s'appliquera dans tous les cas où les dommages ne seront pas le résultat d'une installation inadéquate, d'un usage inapproprié, d'abus ou de négligence, de cas fortuit ou de toute autre circonstance hors du contrôle du fabricant. De plus, le fabricant ne sera pas tenu responsable des blessures ou dommages à la propriété personnelle ou immobilière causés directement ou indirectement par l'appareil de ventilation du fabricant. Cette garantie annule toutes les garanties précédentes.



## 5. DISTRIBUTION DE L'AIR

### ATTENTION

Avant d'installer cet appareil, prendre le temps de lire attentivement la page 2 de ce guide pour s'assurer que l'appareil est installé de façon sécuritaire et optimale.



## 6. INSTALLATION

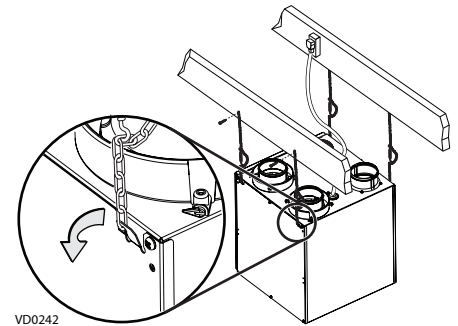
S'assurer que l'appareil n'a pas été endommagé pendant le transport; inspecter la porte, les bouches, le cordon d'alimentation, etc.

### 6.1 EMBLEMMENT DE L'APPAREIL

Choisir un endroit approprié où installer l'appareil, puis le suspendre aux solives à l'aide des 4 chaînes et ressorts fournis.

- Dans un endroit chauffé de la maison où **la température est maintenue entre 10 °C/50 °F et 40° C/104 °F**;
- Autant que possible, éloigné des endroits les plus fréquentés (salle à manger, salon, chambres à coucher);
- De façon à pouvoir accéder facilement à l'intérieur du boîtier pour l'entretien trimestriel et annuel, ainsi qu'au compartiment électrique sur le côté de l'appareil;
- Près d'un mur extérieur, de façon à réduire la longueur des conduits flexibles isolés;
- À proximité d'un drain. S'il n'y en a pas, se servir d'un seau pour récupérer l'écoulement;
- Éloigné des cheminées chaudes, du panneau des circuits électriques et autres risques d'incendie;
- Prévoir une source d'alimentation électrique standard à moins de 3 pi.

Plier les 4 crochets situés aux 4 coins de l'appareil pour suspendre ce dernier aux solives du plafond à l'aide des 4 chaînes et crochets fournis. Voir l'illustration.



### ATTENTION

S'assurer que l'appareil est de niveau

**⚠ AVERTISSEMENT**

- **Ne jamais installer une grille d'évacuation d'air vicié dans une pièce où se trouve un appareil de combustion, tel qu'une fournaise, un chauffe-eau à gaz ou un foyer.**
- **Lors du raccordement des conduits à la fournaise, l'installation doit être effectuée en conformité avec tous les codes et standards en vigueur. Veuillez consulter votre code du bâtiment local.**

- Miser sur la simplicité et prévoir le moins de coudes et de raccords possible.
- Réduire la longueur des conduits isolés au minimum.
- Si la maison a plus d'un étage, prévoir au moins une grille d'aspiration d'air vicié à l'étage habitable le plus élevé.

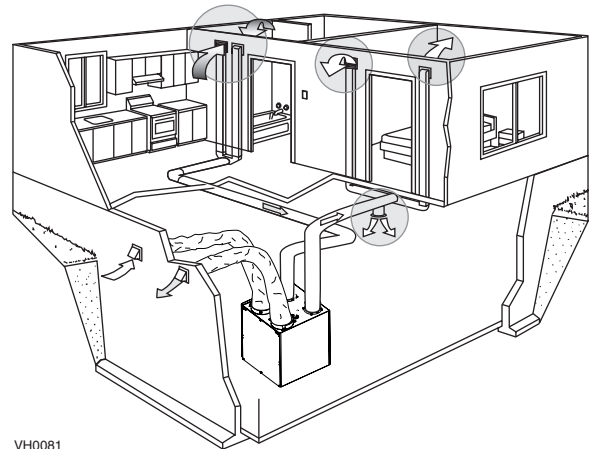
6.2.1 INSTALLATION INDÉPENDANTE

**Évacuation d'air vicié**

- Installer les grilles dans les pièces qui génèrent des polluants : Cuisine, salle de bains, buanderie, etc. Installer les grilles le plus loin possible des escaliers et de façon à ce que l'air puisse circuler partout dans la maison.
- Si une grille est installée dans la cuisine, elle doit être située à au moins 4 pi (1,2 m) de la cuisinière.
- Installer les grilles sur un mur intérieur, à une distance de 6 po à 12 po (152 mm à 305 mm) du plafond OU les installer au plafond.

**Distribution d'air frais**

- Installer les grilles de distribution d'air frais dans les chambres à coucher, salle à dîner et sous-sol.
- Se rappeler que les grilles de distribution d'air frais doivent être éloignées le plus possible des grilles d'aspiration d'air vicié.
- Installer les grilles au plafond OU sur un mur intérieur, à une distance de 6 po à 12 po (152 mm à 305 mm) du plafond.
- Si une grille doit être installée au plancher, diriger son jet d'air vers le mur.



VH0081

6.2.2 DISTRIBUTION À LA SOURCE - CÔTÉ DISTRIBUTION

**ATTENTION**

**Si l'appareil est raccordé au conduit de distribution de la fournaise, ce dernier doit être en métal et de dimensions lui permettant de supporter le débit additionnel produit par l'appareil**

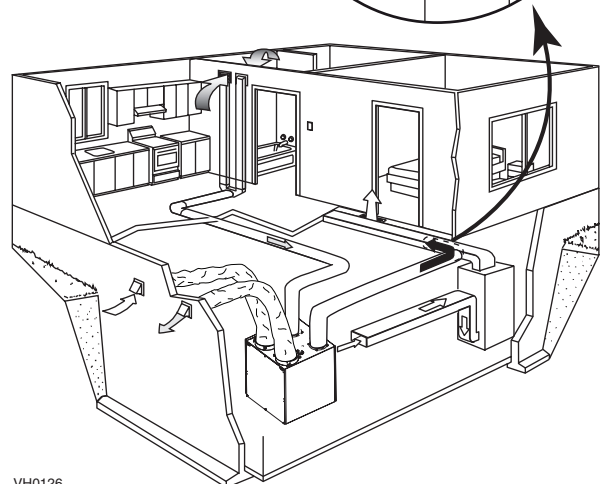
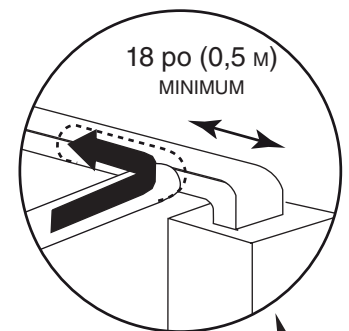
**Évacuation d'air vicié**

- Comme pour l'installation indépendante (section 6.2.1)

**Distribution d'air frais**

- Couper une ouverture dans le conduit de distribution de la fournaise, à au moins 18 pouces (0,5 m) de celle-ci.
- Raccorder cette ouverture à la bouche de **Distribution d'air frais** de l'appareil à l'aide d'un conduit de métal.
- S'assurer que le conduit de l'appareil forme un coude à l'intérieur du conduit de la fournaise.

NOTE: Pour ce type d'installation, il est recommandé, sans toutefois être essentiel, que le ventilateur de la fournaise soit synchronisé avec l'appareil.



VH0126

## Pour l'installateur

### 6.2.3 DISTRIBUTION À LA SOURCE - CÔTÉ RETOUR

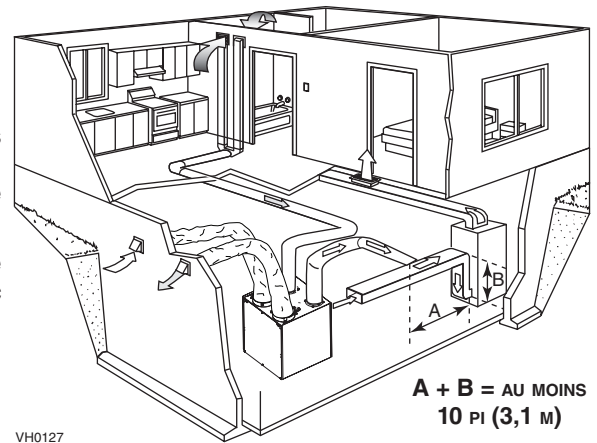
#### Évacuation d'air vicié

- Comme pour l'installation indépendante (section 6.2.1)

#### Distribution d'air frais

- Couper une ouverture dans le conduit de retour de la fournaise, à au moins 10 pieds (3,1 m) de celle-ci (A+B).
- Raccorder cette ouverture à la bouche de **Distribution d'air frais** de l'appareil.

NOTE: Pour ce type d'installation, il est recommandé, sans toutefois être essentiel, que le ventilateur de la fournaise soit synchronisé avec l'appareil.



### 6.2.4 INSTALLATION SIMPLIFIÉE - DISTRIBUTION/RETOUR

#### ATTENTION

Si l'appareil est raccordé au conduit de distribution de la fournaise, ce dernier doit être en métal et de dimensions lui permettant de supporter le débit additionnel produit par l'appareil.

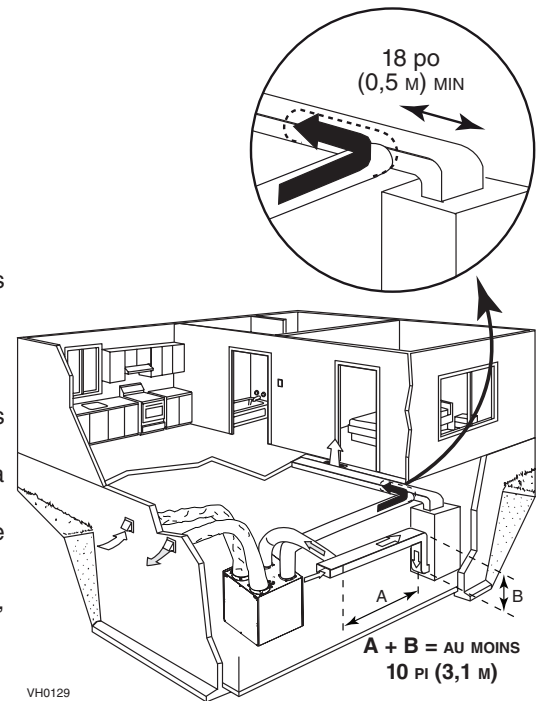
#### Aspiration d'air vicié

- Couper une ouverture dans le conduit de retour de la fournaise, à au moins 10 pieds (3,1 m) de celle-ci (A+B).
- Raccorder cette ouverture à la bouche d'**Évacuation d'air vicié** de l'appareil.

#### Distribution d'air frais

- Couper une ouverture dans le conduit de distribution de la fournaise, à au moins 18 pouces (0,5 m) de celle-ci.
- Raccorder cette ouverture à la bouche de **Distribution d'air frais** de l'appareil à l'aide d'un conduit de métal.
- S'assurer que le conduit de l'appareil forme un coude à l'intérieur du conduit de la fournaise.

NOTE: Pour ce type d'installation, il est recommandé, sans toutefois être essentiel, que le ventilateur de la fournaise soit synchronisé avec l'appareil.



### 6.2.5 INSTALLATION SIMPLIFIÉE - RETOUR/RETOUR

#### ATTENTION

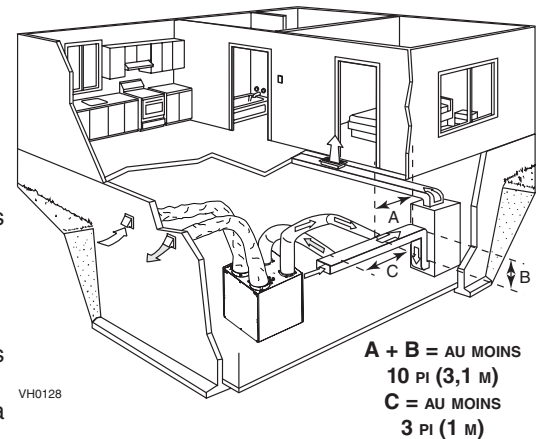
Pour ce type d'installation, le ventilateur de la fournaise doit être synchronisé avec l'appareil.

#### Aspiration d'air vicié

- Couper une ouverture dans le conduit de retour de la fournaise, à au moins 18 pouces (3,1 m) de celle-ci (A+B).
- Raccorder cette ouverture à la bouche d'**Évacuation d'air vicié** de l'appareil.

#### Distribution d'air frais

- Couper une ouverture dans le conduit de retour de la fournaise, à au moins 10 pieds (3,1 m) de celle-ci.
- Raccorder cette ouverture à la bouche de **Distribution d'air frais** de l'appareil à l'aide d'un conduit de métal.
- S'assurer que le conduit de l'appareil forme un coude à l'intérieur du conduit de la fournaise.
- S'assurer que les deux raccords au conduit de retour de la fournaise sont à au moins 3 pieds (1 m) l'un de l'autre (C).



## Pour l'installateur

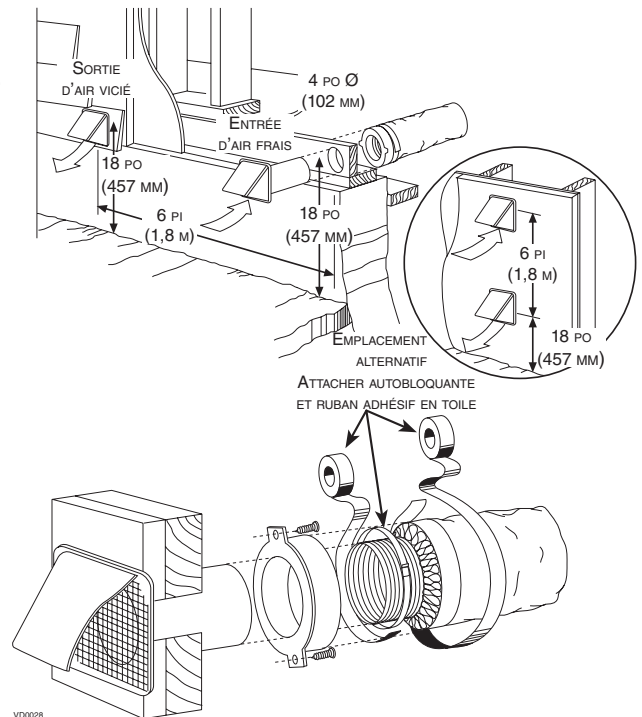
### 6.3 INSTALLER LES BOUCHES EXTÉRIURES

Consulter l'illustration ci-contre pour relier les conduits isolés aux bouches extérieures. Une bouche « anti-rafale » pour l'aspiration d'air frais devrait être installée dans les régions où il tombe généralement beaucoup de neige.

#### **AVERTISSEMENT**

S'assurer que les bouches sont à au moins 18 pouces au-dessus du sol et que la bouche d'aspiration est à au moins 6 pi (1,8 m) des éléments suivants :

- Bouche d'évacuation
- Sortie de sècheuse, de fournaise haut rendement, d'aspirateur central;
- Sortie de compteur de gaz, barbecue à gaz;
- Sortie de toute source de combustion;
- Poubelle ou toute autre source de contamination.



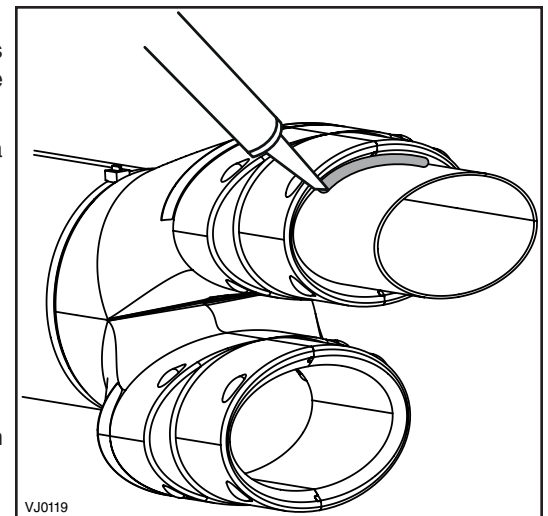
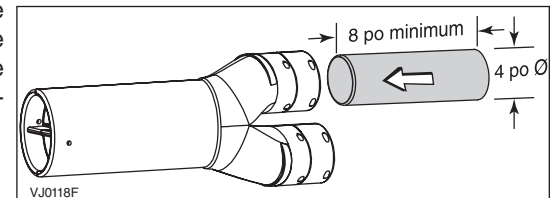
### 6.4 INSTALLATION DE LA BOUCHE EXTÉRIURE DOUBLE AU MOYEN DU KIT DE TRANSITION TANDEM®\* (OPTIONNEL)

Si désiré, une bouche extérieure double peut être utilisée en remplacement de deux bouches extérieures régulières pour raccorder les conduits isolés. La distance minimale requise entre les solives pour l'installation de la transition Tandem® est de 9¼ po. La hauteur maximale de cette transition est de 8¾ po. Voir l'illustration ci-contre.

Afin de raccorder les conduits flexibles isolés de 4 po aux ouvertures ovales de 5 po de la transition Tandem® (Évacuation d'air vicié et Aspiration d'air frais), raccorder d'abord un adaptateur (non compris) à la transition Tandem®.

Pour chaque raccordement :

1. Insérer un conduit métallique de 4 po de diamètre d'au moins 8 po de long dans l'ouverture ovale de la transition Tandem® en le pressant légèrement afin de l'écraser. Pousser le conduit jusqu'au fond de l'ouverture.
2. À l'aide de silicone, étancher le joint entre l'extérieur du conduit métallique et la transition Tandem®, puis attendre que le joint soit sec.



#### **ATTENTION**

Lors du raccordement des conduits flexibles isolés à la transition Tandem®, tirer le conduit flexible interne par-dessus l'adaptateur jusqu'au joint de silicone, et le fixer en place à l'aide d'une attache autobloquante. Tirer l'isolant par-dessus le joint en s'assurant de ne laisser aucune partie sans isolant.

3. Poursuivre l'installation en suivant les instructions incluses dans le kit de transition Tandem® (pièce n° 14690).

\*Brevetée.

## Pour l'installateur

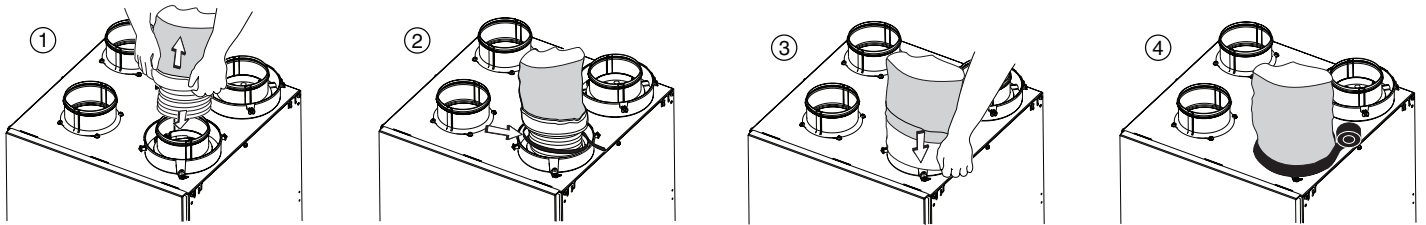
### 6.5 RACCORDEMENT DES CONDUITS À L'APPAREIL

**NOTE :** Cet appareil a été conçu pour être raccordé à des conduits de 4 pouces de diamètre, mais peut être raccordé à des conduits de diamètre plus grand au moyen d'une transition appropriée.

#### ATTENTION

**S'assurer que le coupe-vapeur ne se déchire pas durant l'installation pour éviter que ne se forme de la condensation dans les conduits. Si les conduits doivent passer par un endroit où la température n'est pas contrôlée (ex. : grenier), toujours utiliser des conduits isolés.**

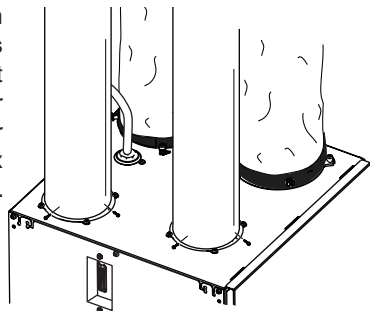
1. Tirer sur l'isolant pour exposer le conduit flexible.
2. À l'aide d'une attache autoblocante, fixer le conduit flexible à la bouche.
3. Tirer l'isolant par-dessus le joint et l'appuyer entre les anneaux intérieur et extérieur de la bouche.
4. Descendre le coupe-vapeur (en gris dans l'illustration ci-dessous) et recouvrir complètement l'anneau extérieur. Fixer le coupe-vapeur en place à l'aide de la courroie (incluse dans le sac de pièces). Pour ce faire, insérer un des ergots de l'anneau extérieur de la bouche à travers le coupe-vapeur et dans le premier trou de la courroie. Ensuite, insérer l'autre ergot à travers le coupe-vapeur et le trou du centre de la courroie. Fermer la courroie en insérant le premier ergot dans le dernier trou de la courroie.



VJ0127

#### Conduits rigides non isolés

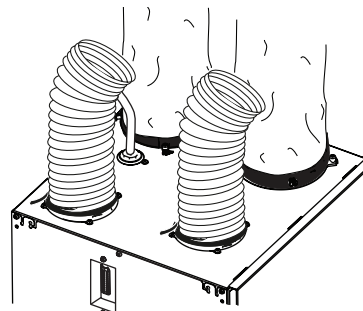
Utiliser des vis à tôle et du ruban à conduits pour raccorder les conduits rigides aux bouches de l'appareil.



VJ0073

#### Conduits flexibles non isolés

Utiliser des attaches autobloquantes pour raccorder les conduits flexibles aux bouches de l'appareil.



### 6.6 RACCORDEMENT DU BOYAU DE DRAINAGE

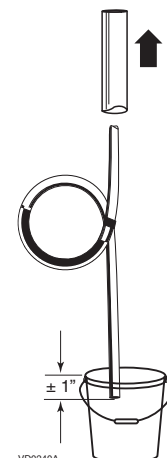
#### ATTENTION

**Un boyau de drainage (inclus) doit être installé pour tous les appareils VRC. Il n'est pas requis pour les appareils VRE, cependant il est recommandé dans les climats où la température extérieure demeure sous -25 °C (-13 °F) (24 heures par jour), durant plusieurs jours d'affilée, combinée à un taux d'humidité intérieur de 40% et plus.**

1. Relier le boyau de plastique au raccord de drain situé sous l'appareil.
2. Faire une boucle dans le boyau pour retenir l'eau afin d'empêcher que l'appareil n'aspire de mauvaises odeurs. Raccorder le boyau au drain du sous-sol ou à un seau.



VO0190



VD0240A

#### ATTENTION

**Si un seau est utilisé pour recueillir l'eau, placer le bout du boyau à environ 1 po du bord du seau afin d'éviter que l'eau ne remonte dans l'appareil.**

## 7. COMMANDES

### 7.1 BRANCHEMENT DES COMMANDES OPTIONNELLES

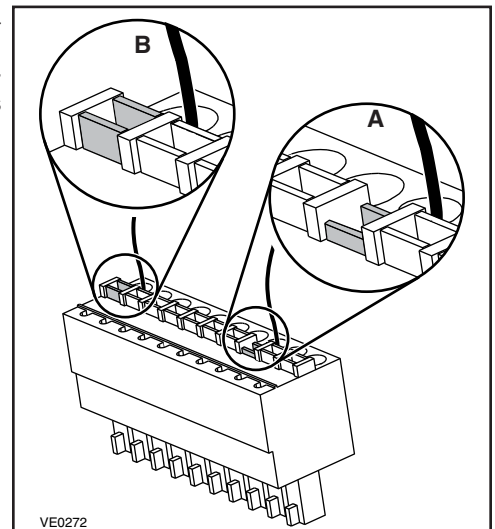
#### ⚠ AVERTISSEMENT

Toujours débrancher l'appareil avant d'effectuer les connexions. Le fait de ne pas débrancher l'appareil pourrait causer un choc électrique, endommager l'appareil, la commande murale, ou le module électronique à l'intérieur de l'appareil.

#### ATTENTION

Ne jamais installer plus d'une commande murale principale par appareil. S'assurer qu'il n'y a aucun court-circuit entre les fils ou entre les fils et une autre composante de la commande murale. Éviter les connexions relâchées. Afin de diminuer les risques potentiels d'interférence électrique (parasites), ne pas acheminer le fil de la commande murale près de contacteurs de contrôle ou près de circuits gradateur d'éclairage, moteurs électriques, câblage électrique de la maison, ou panneau de distribution de courant.

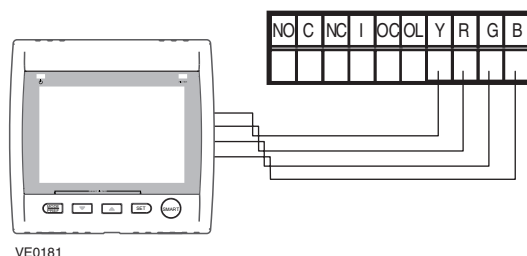
- Utiliser le bornier inclus dans le kit d'installation pour effectuer le branchement de la commande principale optionnelle ainsi que des commandes auxiliaires optionnelles.
- S'assurer que les fils sont insérés correctement dans leur réceptacle de bornier correspondant. Un fil est inséré correctement lorsque le réceptacle orange est plus bas qu'un autre réceptacle sans fil. Sur la photo ci-contre, le fil **A** est correctement inséré, mais le fil **B** ne l'est pas.



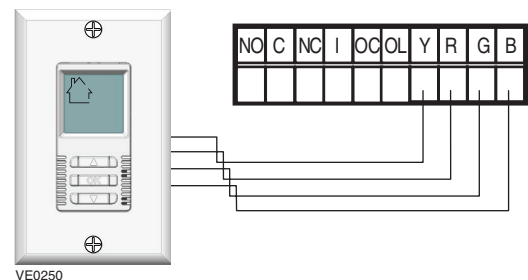
Avant de procéder au branchement des commandes optionnelles, en vérifier la compatibilité :

	Commandes principales	Commandes optionnelles
K10 - 50H HRV (TP)	<ul style="list-style-type: none"> <li>• Altitude</li> <li>• Deco-Touch</li> <li>• Lite-Touch Constructo</li> <li>• Platinum</li> <li>• Deco-Touch</li> <li>• Lite-Touch Bronze</li> <li>• Simple Touch Constructo</li> <li>• Constructo</li> <li>• Simple Touch Bronze</li> <li>• Bronze</li> </ul>	<ul style="list-style-type: none"> <li>• Bouton-poussoir 20/40/60 minutes</li> <li>• Bouton-poussoir illuminé 20 minutes</li> <li>• Minuterie mécanique 60 minutes</li> <li>• Déshumidistat</li> <li>• Commande 20-40-60 (41100, 41300, 41400)</li> </ul>

#### 7.1.1 ALTITUDE OU PLATINUM

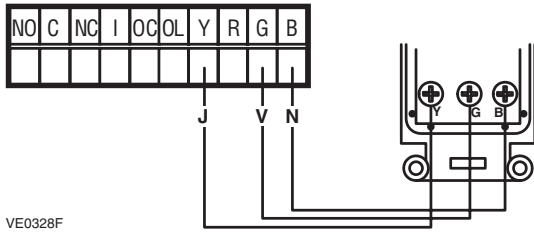


#### 7.1.2 DECO-TOUCH

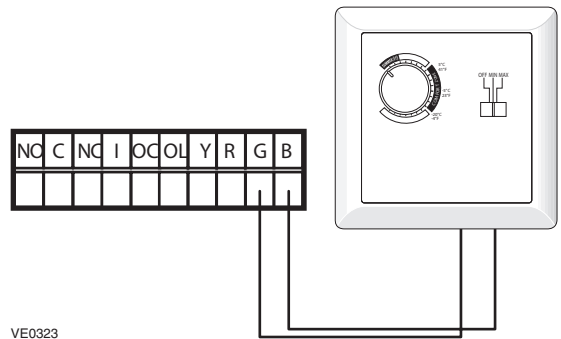


## Pour l'installateur

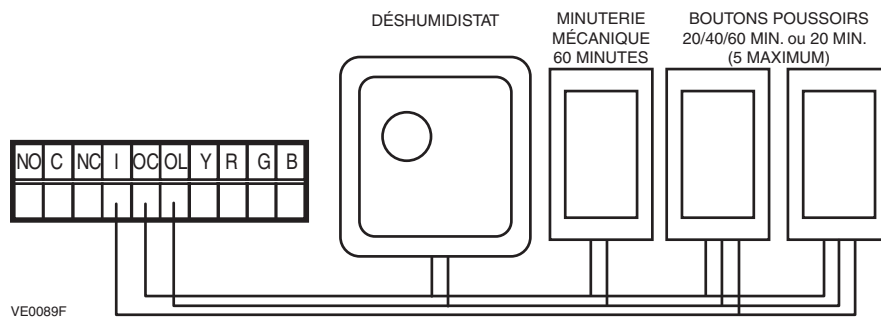
### 7.1.3 LITE-TOUCH CONSTRUCTO, SIMPLE-TOUCH CONSTRUCTO, LITE-TOUCH BRONZE OU SIMPLE-TOUCH BRONZE



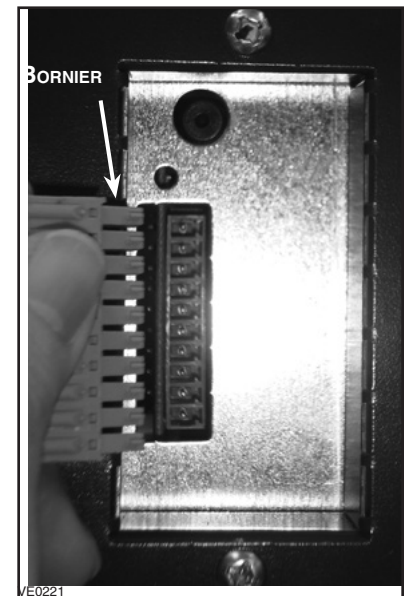
### 7.1.4 CONSTRUCTO OU BRONZE



### 7.1.5 COMMANDES AUXILIAIRES OPTIONNELLES



Une fois le branchement effectué, insérer le bornier dans l'interface du compartiment électrique.



## 7.2 RÉGLAGE DU DÉGIVRAGE PROLONGÉ

Ces appareils sont pré-réglés en dégivrage normal. En région froide (température extérieure de  $-27^{\circ}\text{C}$  [ $-17^{\circ}\text{F}$ ] et plus basse), il peut être nécessaire de régler les appareils en dégivrage prolongé. Pendant les 2 premières secondes de la séquence de démarrage, alors que le voyant est au VERT, appuyer sur le bouton-poussoir jusqu'à ce que le voyant clignote AMBRE (environ 3 secondes). Le voyant s'éteint ensuite, puis devient ROUGE (l'appareil termine sa séquence de démarrage).

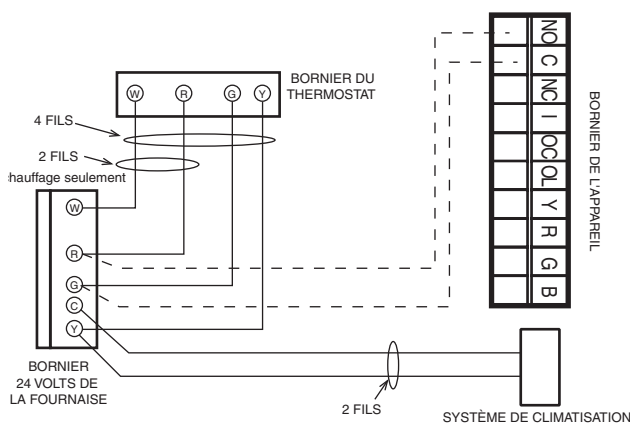
**⚠ AVERTISSEMENT**

**Ne jamais brancher un circuit 120 volts ca aux bornes du câblage de la fournaise (méthode standard). Utiliser seulement le circuit classe 2 du ventilateur de la fournaise.**

**Pour une fournaise raccordée au système de climatisation :**

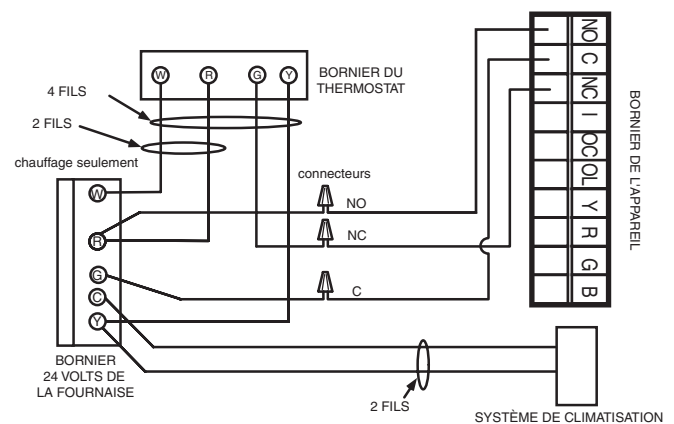
Sur certains vieux thermostats, la mise sous tension des bornes « R » et « G » à la fournaise a pour effet de mettre sous tension « Y » au thermostat et, par conséquent, d'activer le système de climatisation. Si vous êtes en présence ce genre de thermostat, vous devez utiliser la MÉTHODE SECONDAIRE DE CÂBLAGE SYNCHRONISÉ AVEC LA FOURNAISE.

**MÉTHODE STANDARD DE CÂBLAGE SYNCHRONISÉ AVEC LA FOURNAISE**



E0108F

**MÉTHODE SECONDAIRE DE CÂBLAGE SYNCHRONISÉ AVEC LA FOURNAISE**

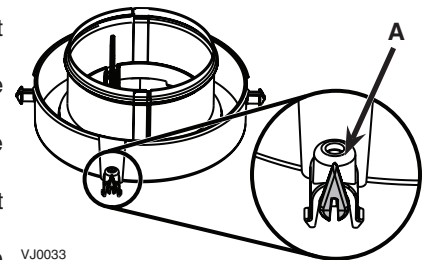


**8. ÉQUILIBRAGE DE L'APPAREIL**

**PRÉPARATION**

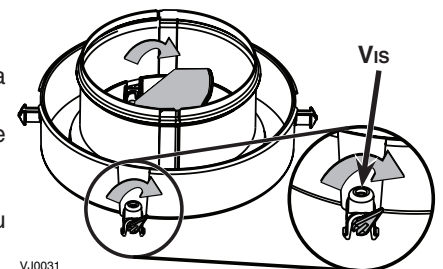
Pour obtenir des données précises, suivre d'abord les étapes suivantes :

- Sceller tous les conduits du réseau avec du ruban à conduit. Fermer toutes les portes et fenêtres.
- Arrêter tous les dispositifs d'évacuation d'air tels que hotte de cuisinière, ventilateurs de salle de bains ou sècheuse.
- S'assurer que les volets d'équilibrage intégrés sont complètement ouverts (les tiges de réglage [A] doivent être à la verticale, comme illustré ci-contre).
- S'assurer que tous les filtres sont propres (si ce n'est pas la première fois que l'appareil est équilibré).
- Si l'installation est reliée de quelque façon que ce soit avec le conduit de retour d'air frais de la fournaise, s'assurer que le ventilateur de celle-ci est en marche. Si non, ne pas faire fonctionner le ventilateur de fournaise.
- Si la température extérieure se situe sous 0 °C/32 °F, s'assurer que l'appareil n'est pas en mode de dégivrage lors de l'équilibrage en attendant 10 minutes après avoir débranché, puis rebranché l'appareil.
- Régler l'appareil en haute vitesse.



**PROCÉDURE D'ÉQUILIBRAGE**

1. Installer le manomètre sur une surface nivelée et le régler à zéro.
2. Relier les tubes du manomètre aux prises de pression du flux d'air VICIÉ (voir le schéma sur la porte de l'appareil).
3. S'assurer de relier les tubes aux raccords *high/low* correspondants. Si l'aiguille du manomètre tombe en dessous de zéro, inverser les branchements.
4. Noter la valeur en  $\text{pi}^3/\text{min}$  selon le tableau d'équilibrage sur l'appareil.
5. Répéter les étapes 3 et 4, en déplaçant les tubes du manomètre aux prises de pression du flux d'air FRAIS.
6. Faire correspondre la valeur en  $\text{pi}^3/\text{min}$  la plus élevée à la valeur en  $\text{pi}^3/\text{min}$  la plus basse en tournant la tige d'ajustement du volet de balancement correspondant à la valeur la plus élevée. Un écart jusqu'à 10  $\text{pi}^3/\text{min}$  est acceptable.
7. Maintenir les deux volets en place à l'aide d'une vis (incluse dans le sac de pièces).
8. Noter les données concernant le débit d'air sur une étiquette et la placer près de l'appareil pour référence ultérieure (date, vitesse maximale des débits d'air, votre nom, numéro de téléphone et adresse professionnelle).



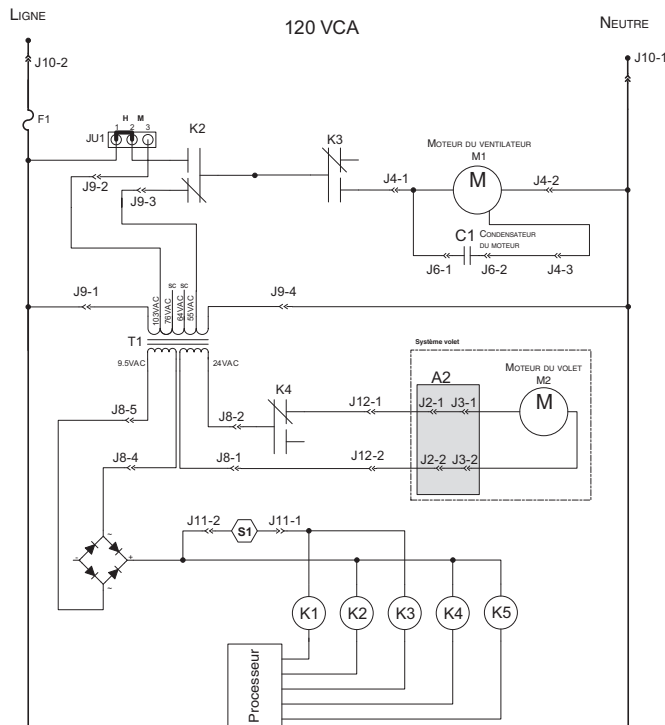
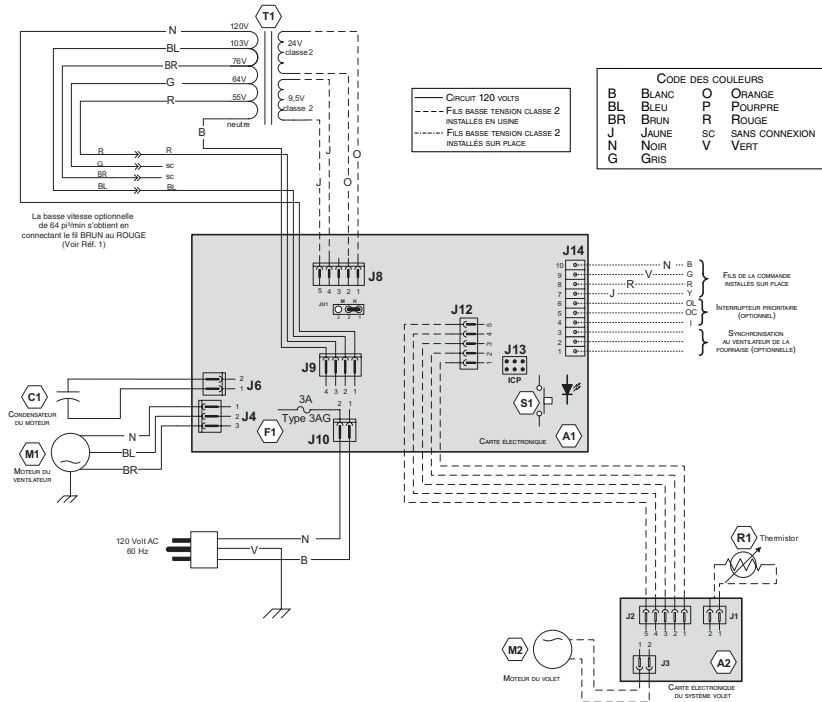


## 9. SCHÉMAS ÉLECTRIQUES

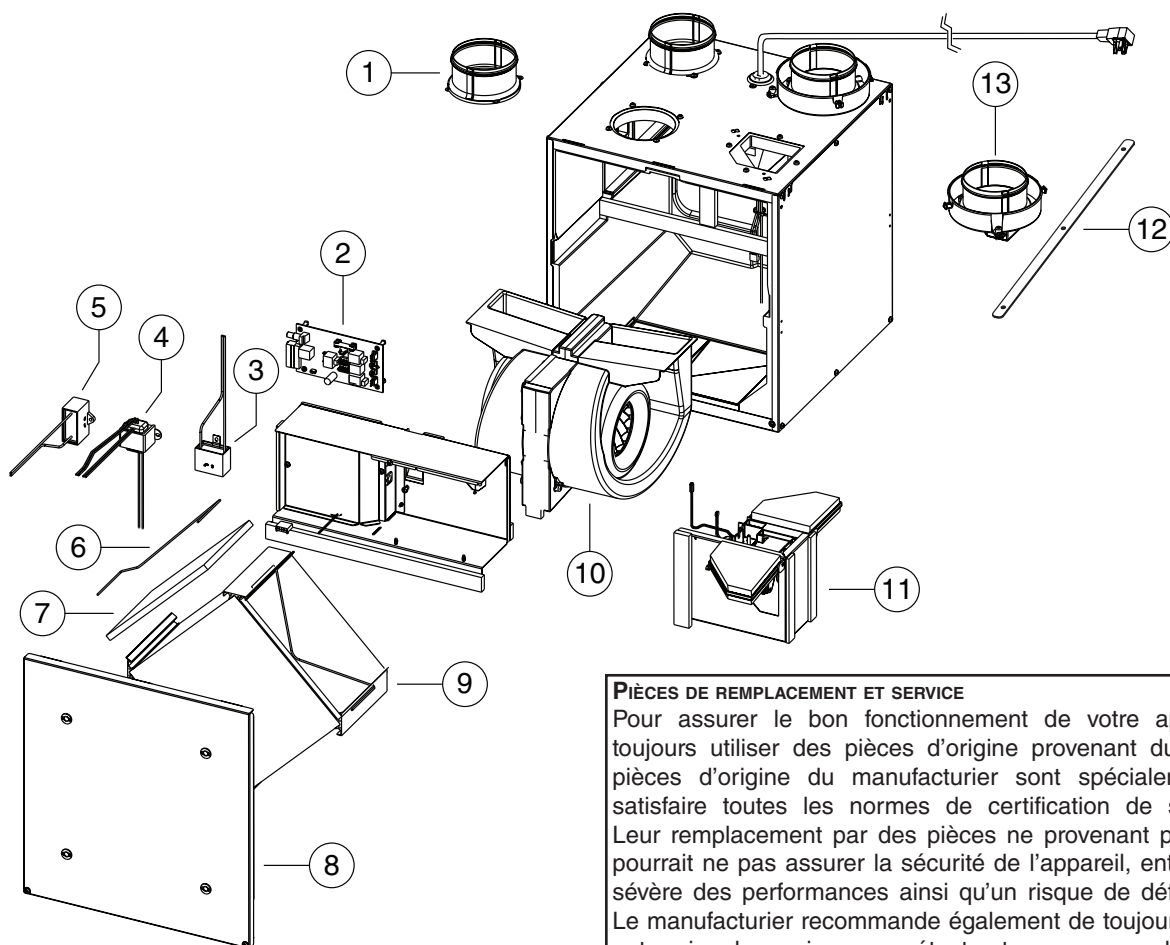
### 9.1 K10 - 50H HRV (TP)

#### ⚠ AVERTISSEMENT

- Danger d'électrocution. Toujours débrancher l'appareil avant d'effectuer les travaux d'entretien ou de réparation.
- Cet appareil est muni d'une protection contre les surcharges (fusible). Un fusible grillé indique une surcharge ou un court-circuit. Si le fusible grille, débrancher l'appareil de la prise de courant. Cesser d'utiliser l'appareil et communiquer avec le soutien technique.



## 10. PIÈCES DE SERVICE



VL0043

### PIÈCES DE REMPLACEMENT ET SERVICE

Pour assurer le bon fonctionnement de votre appareil, vous devez toujours utiliser des pièces d'origine provenant du manufacturier. Les pièces d'origine du manufacturier sont spécialement conçues pour satisfaire toutes les normes de certification de sécurité applicables. Leur remplacement par des pièces ne provenant pas du manufacturier pourrait ne pas assurer la sécurité de l'appareil, entraîner une réduction sévère des performances ainsi qu'un risque de défaillance prématurée. Le manufacturier recommande également de toujours vous référer à une entreprise de services compétente et reconnue par le manufacturier pour vos pièces de remplacement et appels de service.

RÉF.	N° DE PIÈCE	DESCRIPTION	K10 - 50H HRV (TP) (44600)
1	18854	BOUCHE DE MÉTAL DE 4 PO, RONDE	2
2	19206	CARTE ÉLECTRONIQUE (VRC)	1
3	16042	CONDENSATEUR 5 $\mu$ F	1
4	61232	TRANSFORMATEUR	1
5	19211	CONDENSATEUR 13 $\mu$ F	1
6	19208	BROCHES DE RETENUE DE FILTRE (PAIRE)	1
7	18883	FILTRES DE NOYAU (PAIRE)	1
8	19203	PORTE ASSEMBLÉE	1
9	19199	NOYAU DE RÉCUPÉRATION DE CHALEUR	1
10	62176	BLOC VENTILATEUR	1
11	18868	SYSTÈME VOLETS BOUCHES VERTICALES	1
12	19212	COURROIE DE BOUCHES DE 4 PO	2
13	18855	BOUCHE DOUBLE 4 PO AVEC VOLET	2
14	19213	ENSEMBLE DE QUINCAILLERIE*	1
15	16416	BORNIER DE CONNEXION*	1

\* PIÈCE NON ILLUSTRÉE.

# 11. DÉPANNAGE

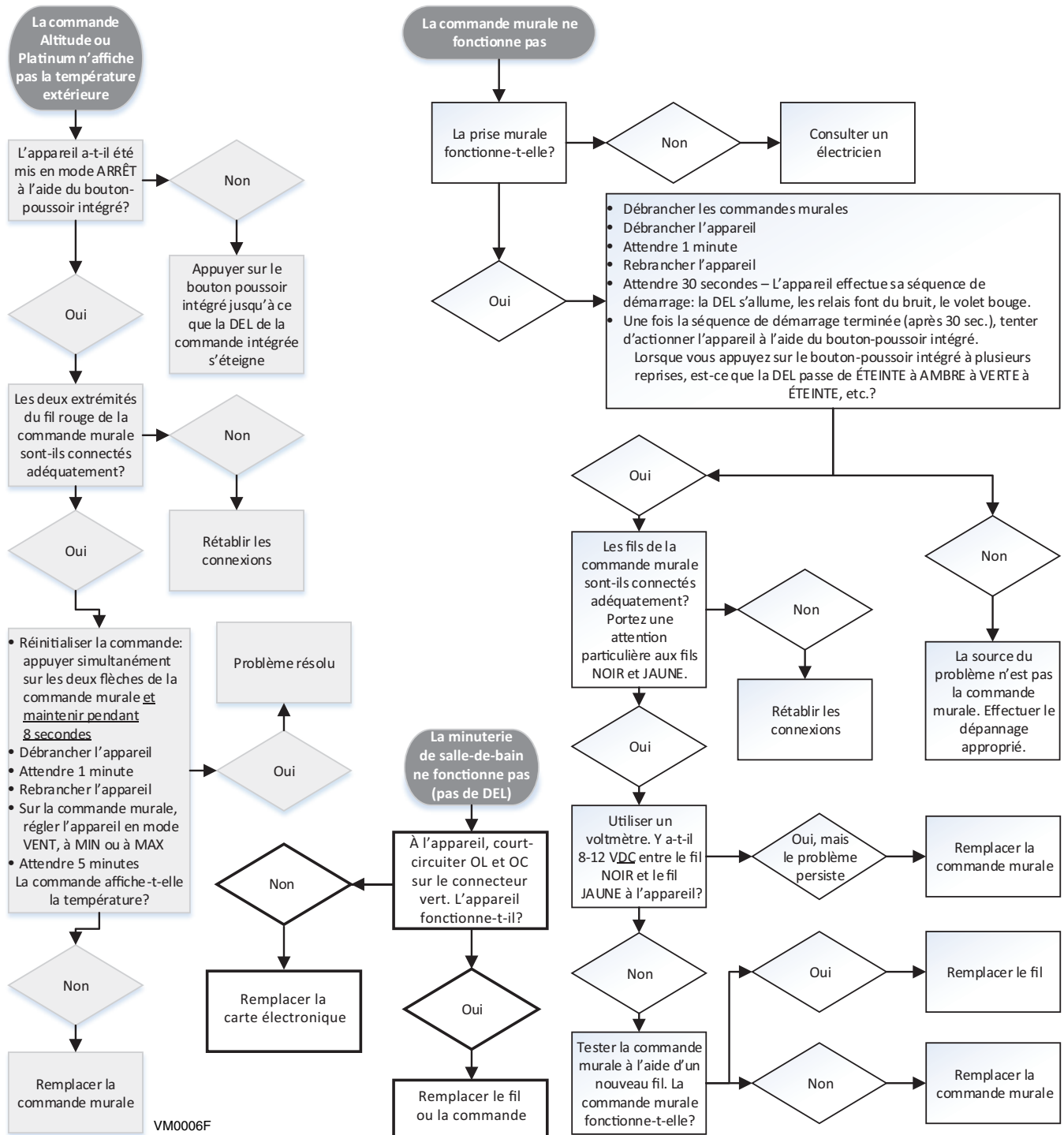
## ⚠ AVERTISSEMENT

**Danger d'électrocution. Les connexions de la carte électronique ne doivent être vérifiées que par du personnel qualifié.**

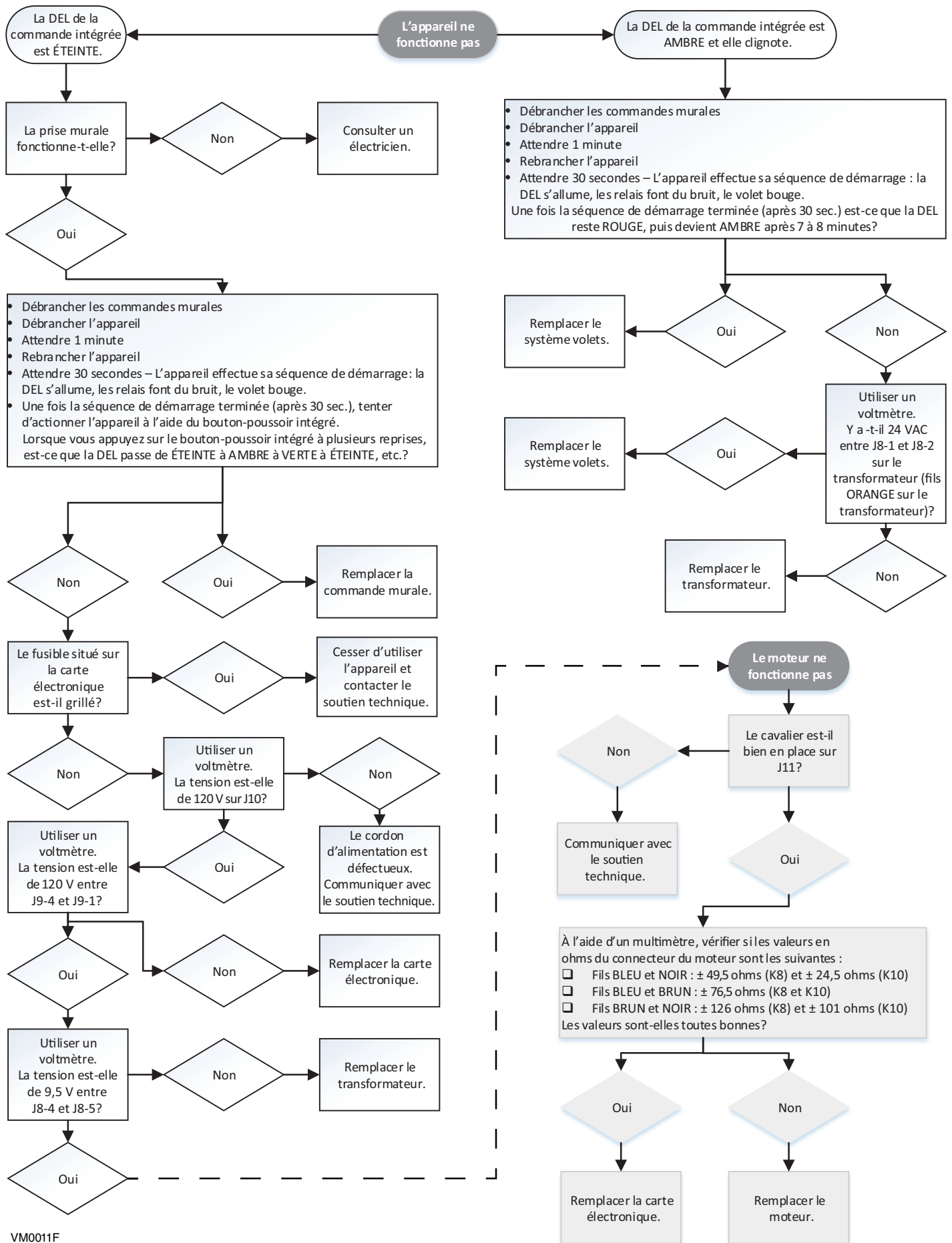
Si l'appareil ne fonctionne pas correctement, effectuer une réinitialisation en le débranchant pour une minute puis en le rebranchant. Si l'appareil ne fonctionne toujours pas correctement, consulter le tableau ci-dessous.

S'il survient un problème lors du fonctionnement de l'appareil, le voyant lumineux de l'appareil va clignoter. La couleur du clignotant dépend du type d'erreur détectée.

Signal	Type d'erreur	Action	État de l'appareil
Voyant clignote VERT	Erreur du thermistor	Remplacer le système volet	L'appareil fonctionne mais dégivrera fréquemment
Voyant clignote AMBRE	Erreur de volet	Aller à la page 20.	L'appareil ne fonctionne pas.



**Pour l'installateur**



VM0011F