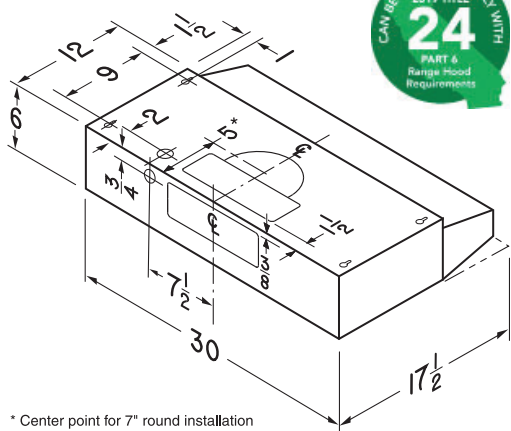


DESCRIPTION

- Infinite speed, rotary fan control
- Two-level light control
- Polymeric blade and light lens (accepts up to 75 W bulb)
- Washable aluminum filter
- Converts to non-ducted by installing cover plate into grille and installing the non-ducted filter (Model 41F, purchase separately)
- Mitered sides and hemmed bottom for safety and good looks
- Damper/duct connector included
- 7" round plate included
- Contemporary styling in White, Black, Bisque and Stainless Steel
- Available in 30" width
- Optional non-duct filters (Model 41F)
- Replacement grease filter (Model BP29)
- 120 volts, 2.5 amps
- Max blower CFM†: 260



* Center point for 7" round installation

HVI-2100 CERTIFIED RATINGS comply with new testing technologies and procedures prescribed by the Home Ventilating Institute, for off-the-shelf products, as they are available to consumers. Product performance is rated at 0.1 in. static pressure, based on tests conducted in a state-of-the-art test laboratory. Sones are a measure of humanly-perceived loudness, based on laboratory measurements.

† Max. blower CFM indicates the performance of the hood blower in open air.

INSTALLATION

Complete installation instructions are included with each Fan.

HVI PERFORMANCE

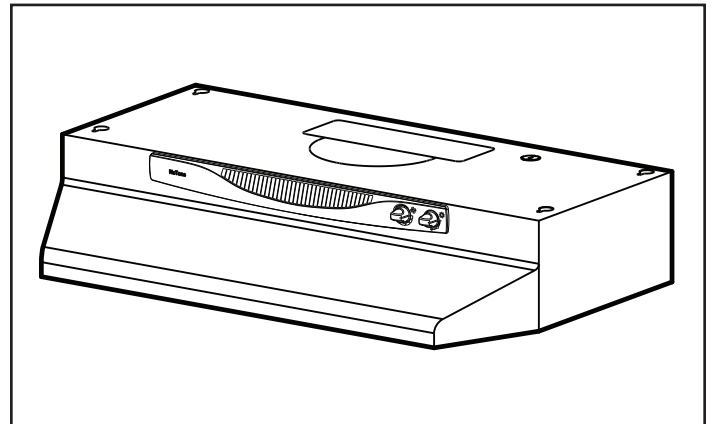
Duct Orientation	Size	Damper	Sones		CFM		
			Normal	High	Normal	High 0.25 in. w.g.	High 0.1 in. w.g.
Vertical - Rectangular	3¼ in. x 10 in.	Included	2.5	7.5	100	110	190
Horizontal - Rectangular	3¼ in. x 10 in.	Included	3.0	7.5	100	110	190
Vertical - Round	7 in.	Sold separately	2.0	7.5	100	110	220

Broan-NuTone LLC Hartford, Wisconsin www.broan-nutone.com 888-336-3948

REFERENCE	QTY.	REMARKS	Project	
			Location	
			Architect	
			Engineer	
			Contractor	
			Submitted by	Date

4-Way Convertible Range Hood

MODEL ACS30



ARCHITECT'S SPECIFICATION

Range hood shall be NuTone Model ACS30.

Unit shall be convertible between ducted (using a washable aluminum filter) and non-ducted (using a non-ducted filter).

Motor to be permanently lubricated. RPM not to exceed 3150.

Unit shall have infinite speed fan control with separate Hi/Low/Off light switch.

Sides shall be mitered and bottom edge hemmed - with no sharp edges.

Air delivery shall be no less than 190 CFM (3¼ x 10 discharge) and 220 CFM (7" round discharge) and sound levels no greater than 7.5 Sones. All air and sound ratings shall be certified by HVI.

Unit shall be U.L. listed.